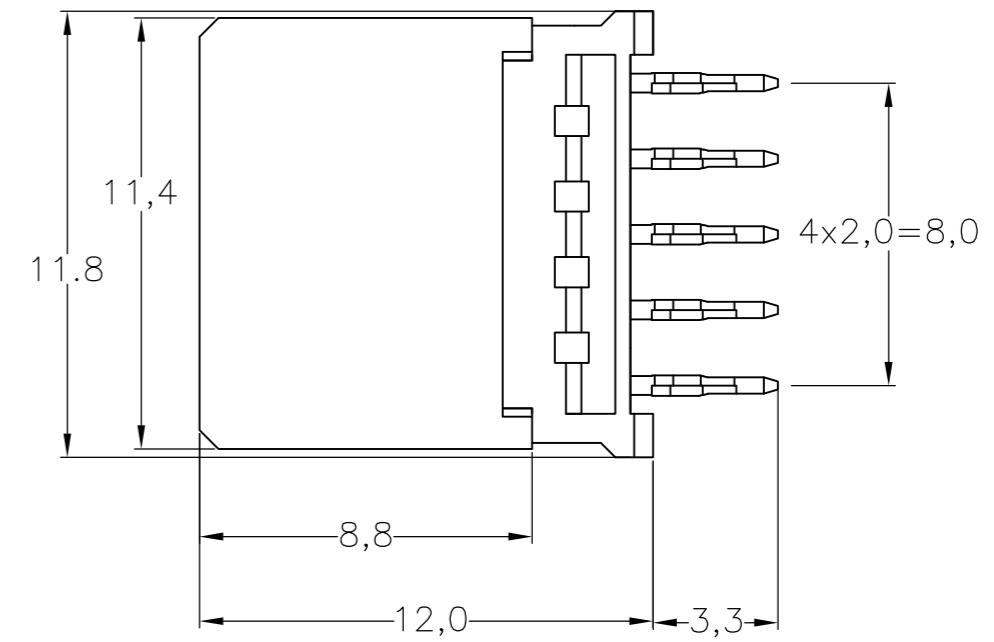
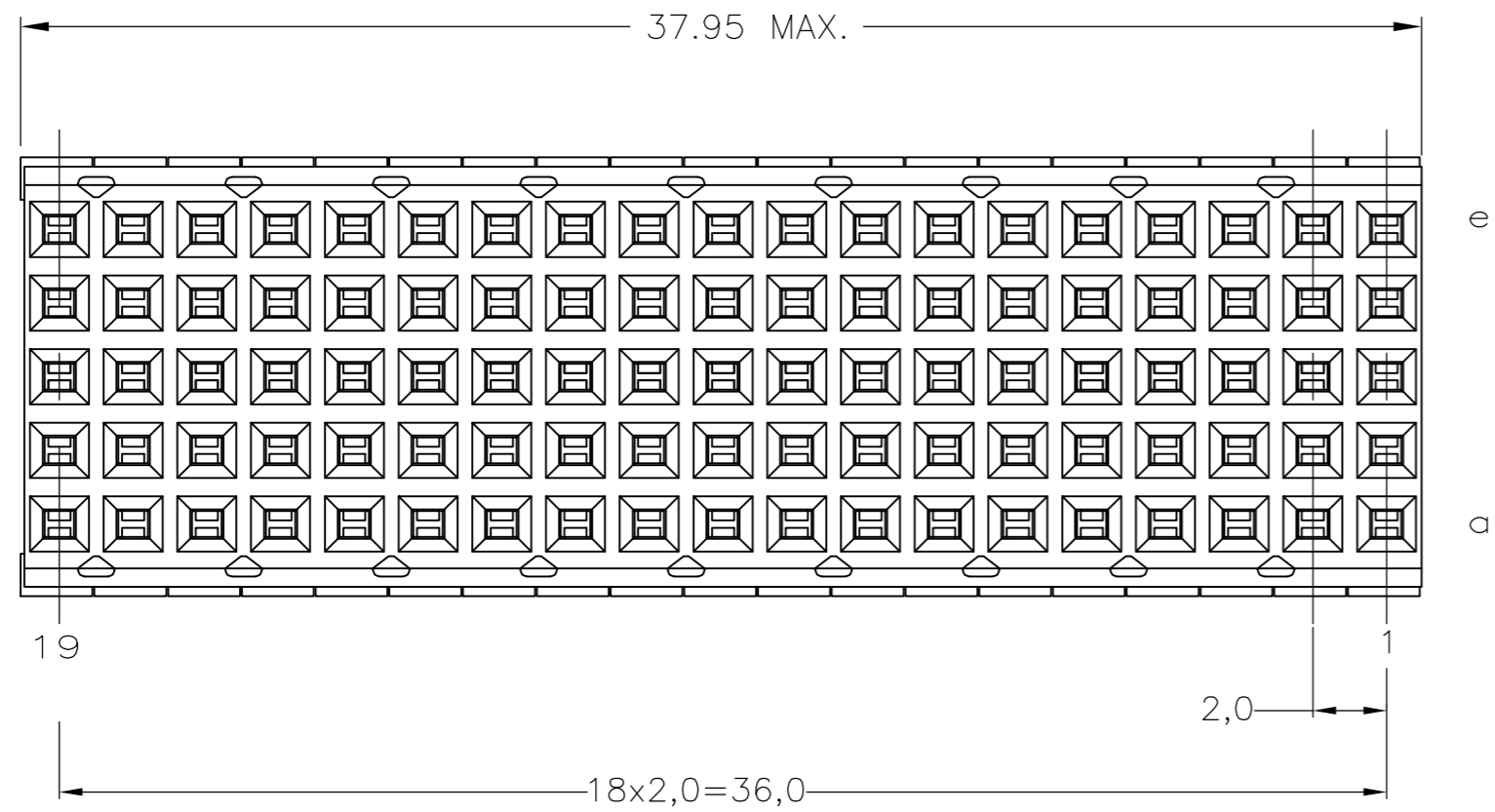
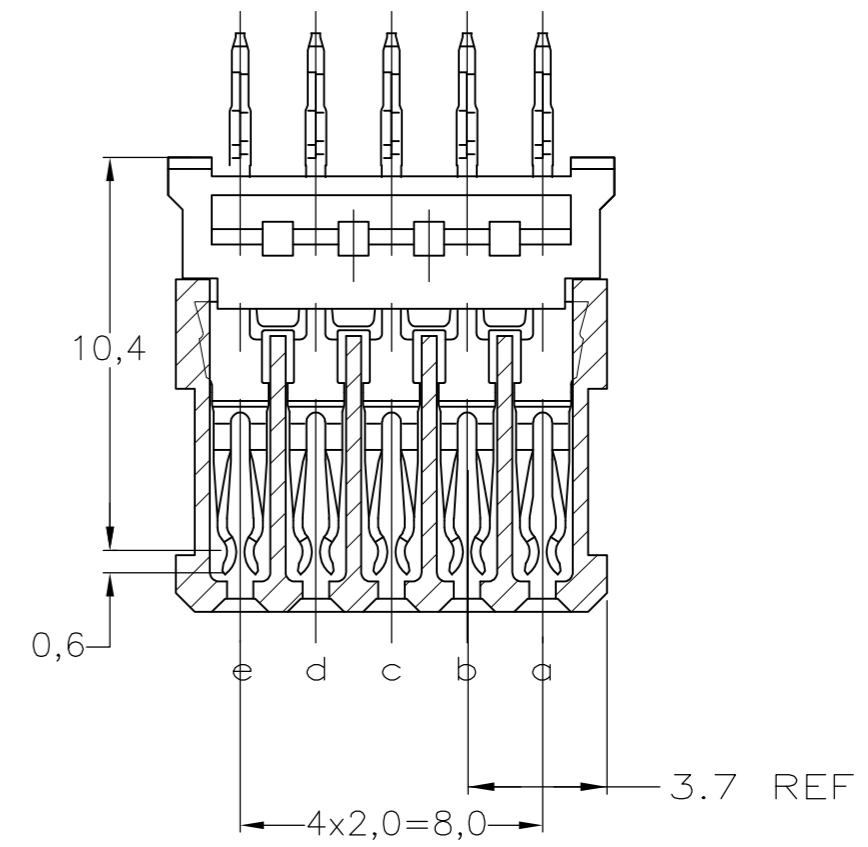
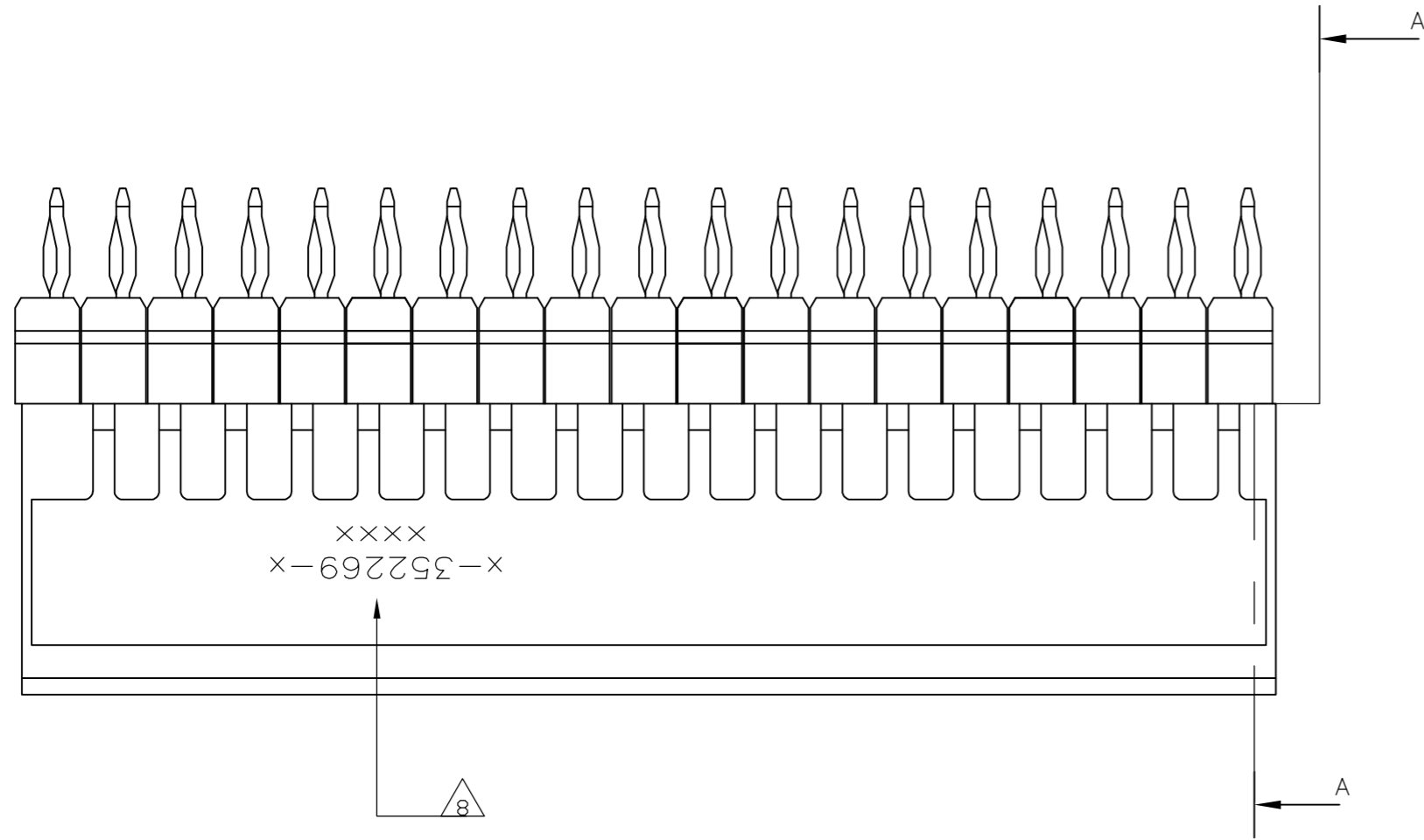


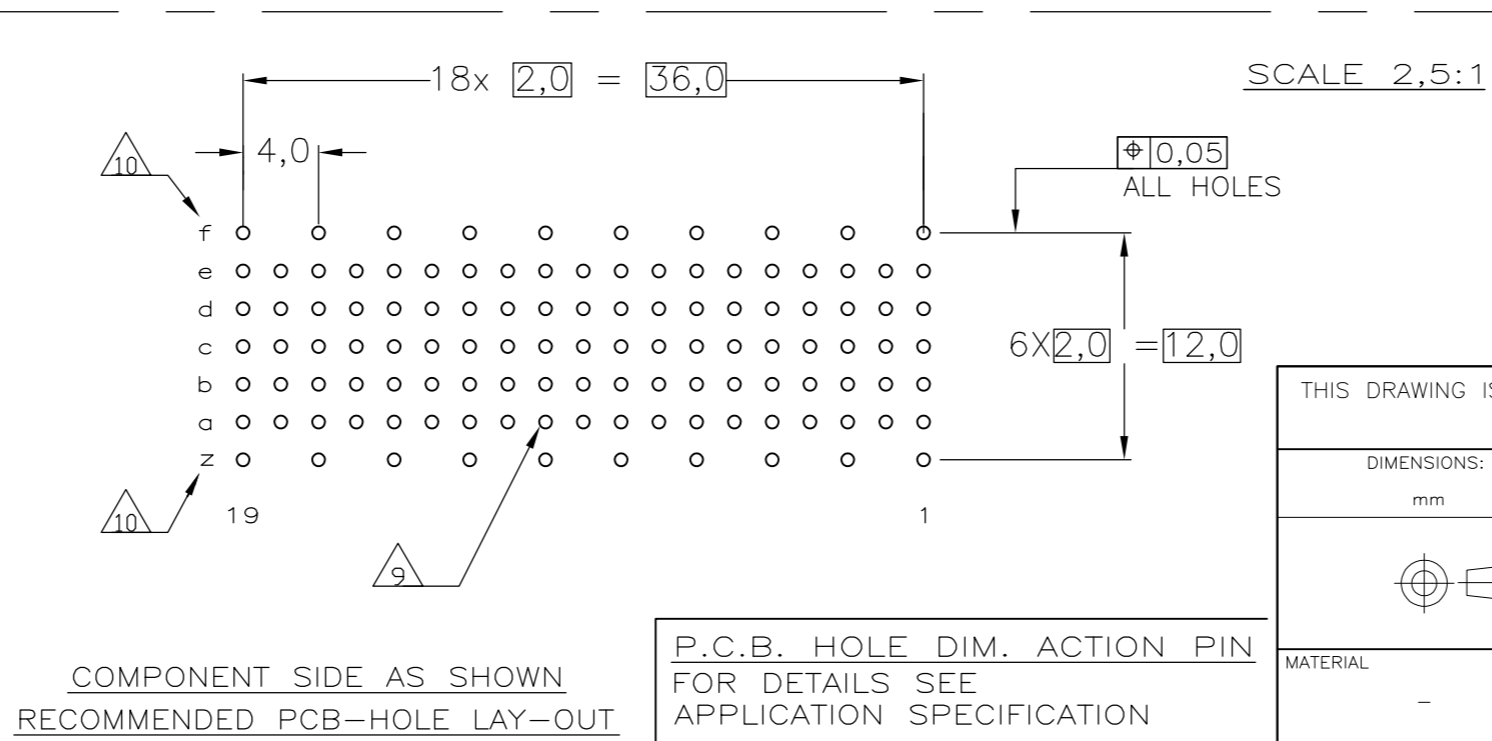
THIS DRAWING IS UNPUBLISHED. RELEASED FOR PUBLICATION
 © COPYRIGHT - By - ALL RIGHTS RESERVED.

LOC		DIST		REVISIONS			
P	LTR	DESCRIPTION		DATE	DWN	APVD	
	F	RELEASED PER ECR ECR-11-009918		14MAY11	RC	CW	
	G	ECO-11-024491		13DEC11	SY	MQW	



NOTES:

- △ MATERIAL CONTACT: PHOSPHORBRONZE
MATERIAL HOUSING: GLASSFILLED POLYESTER
UL-RATING 94V0 (GRAY)
- △ GENERAL PLATING SPECIFICATION: UNDERPLATING (ENTIRE CONTACT): 1,27µm
NICKEL MIN. AND ACTION PIN: 0,5µm TIN-LEAD MIN.
FOR PLATING OF MATING SURFACES SEE APPLICABLE SPECIFICATION REFERENCE
FOR EACH DASH NUMBER.
- △ CONFORMS TO ALL TESTING ACCORDING IEC 61076-4-101 PERFORMANCE
LEVEL 2.
- △ CONFORMS TO ALL TESTING ACCORDING IEC 61076-4-101 PERFORMANCE
LEVEL 1.
- △ CONNECTOR TESTED AND QUALIFIED AGAINST TELCORDIA GR-1217-CORE
QUALITY LEVEL III, CENTRAL OFFICE APPLICATIONS.
- △ CONNECTOR TESTED AND QUALIFIED AGAINST TELCORDIA GR-1217-CORE
QUALITY LEVEL III, UNCONTROLLED ENVIRONMENT APPLICATIONS.
- △ CONNECTOR LUBRICATED WITH TELCORDIA APPROVED LUBRICANT.
- △ CONNECTOR PRINTED WITH PARTNUMBER AND DATECODE.
- △ PLATED-THROUGH HOLES AT 2x2mm SQUARE GRID (95 HOLES).
- △ HOLES IN ROW f AND z FOR POSSIBLE FUTURE USE OF
GROUND RETURN SHIELD. (SHIELDS NOT YET TOOLED)
- △ OBSOLETE PARTS: OBSOLETE CIS STREAMLINING PER D.RENAUD/D.SINISI



SCALE 2,5:1

OBsolete	FINISH	MATERIAL	PARTNUMBER
△	△	△	1-352269-9
△	△	△	352269-9
△	△	△	352269-4
△	△	△	352269-1

THIS DRAWING IS A CONTROLLED DOCUMENT.

DIMENSIONS: mm	TOLERANCES UNLESS OTHERWISE SPECIFIED:	DWN L.V.D.HEIJDEN 30JUL97	CHK D.TRUREN 30JUL97	APVD F.V.KONINGSBRUGGE	NAME
0 PLG ± =	1 PLG ± = ±0.2	PRODUCT SPEC	108-19082	APPLICATION SPEC	114-19029
2 PLG ± =	3 PLG ± =	WEIGHT	-	SCALE	NTS
4 PLG ± =	ANGLES ± =	FINISH	-	SHEET	1 of 1
MATERIAL		CUSTOMER DRAWING		REV	G

TE Connectivity
 Z-PACK 2MM HM TYPE B
 95 POS. 19 COLUMNS VERTICAL FEMALE
 CONNECTOR ASSEMBLY

SIZE A2 CAGE CODE 00779 DRAWING NO. C=352269 RESTRICTED TO -