

THIS DRAWING IS UNPUBLISHED. RELEASED FOR PUBLICATION  
 © COPYRIGHT BY TYCO ELECTRONICS CORPORATION. ALL RIGHTS RESERVED.

LOC		DIST		REVISIONS			
P	LTR	DESCRIPTION		DATE	DWN	APVD	
0		REVISED PER 0G3B-0844-03		11/7/03	SS	SRV	

NOTES:

- △ MATERIAL: .032 THICK, BRASS, TEMPERED.
- △ FINISH: BRIGHT TIN PLATE.

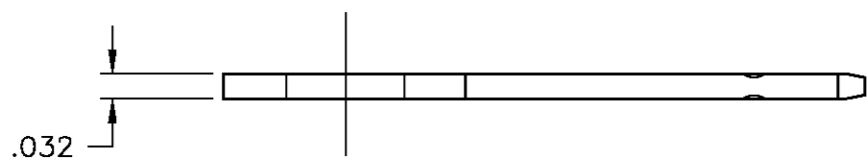
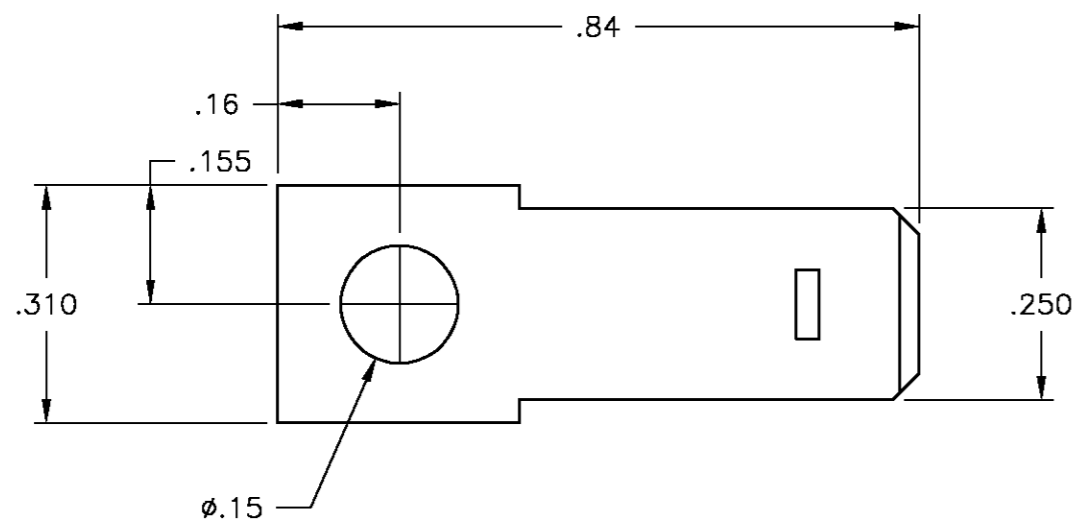


FIGURE 1

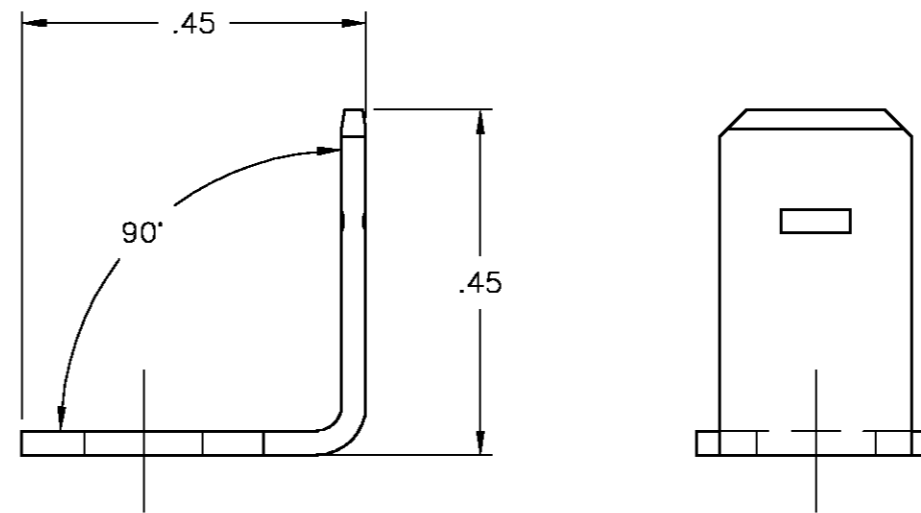
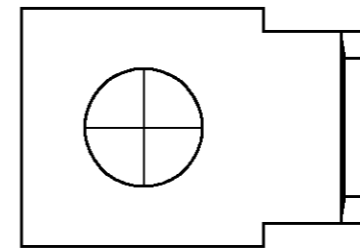


FIGURE 2

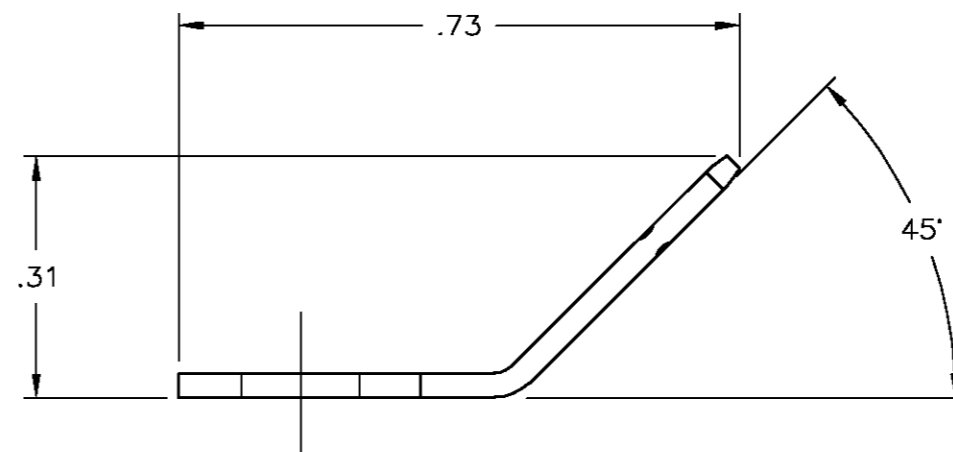
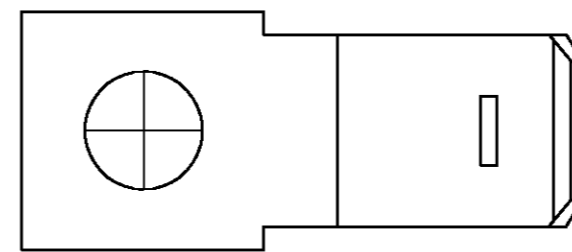


FIGURE 3

FIGURE 3	QC6-45-4	6-1437644-4
FIGURE 2	QC6-90-4	6-1437644-6
FIGURE 1	QC6-180-4	5-1437644-9
FIGURE	CATALOG NO.	PART NO.

THIS DRAWING IS A CONTROLLED DOCUMENT.		DWN	S SCHLEGEL	07NOV03																		
DIMENSIONS: INCHES		CHK	S YODER	11/7/03																		
TOLERANCES UNLESS OTHERWISE SPECIFIED:		APVD	S YODER	11/7/03																		
<table border="0"> <tr><td>0 PLC</td><td>±</td><td>-</td></tr> <tr><td>1 PLC</td><td>±</td><td>-</td></tr> <tr><td>2 PLC</td><td>±</td><td>.01</td></tr> <tr><td>3 PLC</td><td>±</td><td>.005</td></tr> <tr><td>4 PLC</td><td>±</td><td>-</td></tr> <tr><td>ANGLES</td><td>±</td><td>1°</td></tr> </table>		0 PLC	±	-	1 PLC	±	-	2 PLC	±	.01	3 PLC	±	.005	4 PLC	±	-	ANGLES	±	1°	PRODUCT SPEC	NAME	
0 PLC	±	-																				
1 PLC	±	-																				
2 PLC	±	.01																				
3 PLC	±	.005																				
4 PLC	±	-																				
ANGLES	±	1°																				
MATERIAL		APPLICATION SPEC	6 SERIES, .250 WIDE QC TABS																			
FINISH		WEIGHT	SIZE	RESTRICTED TO																		
-		-	A2	-																		
-		CUSTOMER DRAWING	CAGE CODE	DRAWING NO																		
-		SCALE	00779	5-1437644-9																		
-		SHEET	1	OF 1																		
-		REV	0																			