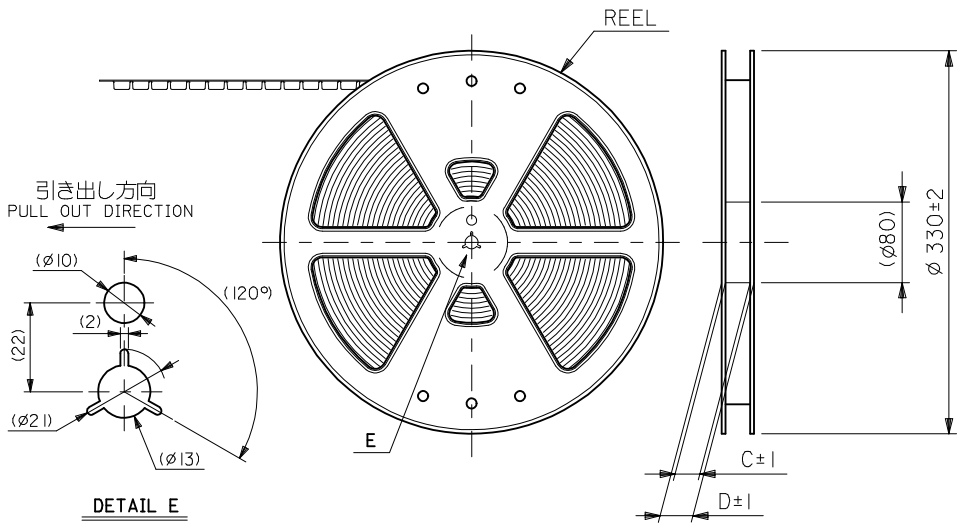


注記 NOTES

- 材質 MATERIAL
 ハウジング: ポリアミド (PA)、ガラス充填、ナチュラル (白)、UL94V-0
 HOUSING: POLYAMIDE, GLASS FILLED, NATURAL, UL94V-0
 アクチュエータ: ポリフェニレンサルファイド (PPS)、ガラス充填、ナチュラル、UL94V-0
 ACTUATOR: POLYPHENYLENE SULFIDE, GLASS FILLED, NATURAL (BROWN), UL94V-0
 ターミナル: 銅合金 (t = 0.2)
 TERMINAL: COPPER ALLOY (t = 0.2)
 金具: 銅合金 (t = 0.4)
 NAIL: COPPER ALLOY (t = 0.4)
 - めっき仕様 PLATING
 ターミナル TERMINAL
 錫銀ビスマスめっき (1.0 μm以上)
 下地: ニッケルめっき (1.0 μm以上)
 TIN SILVER BISMUTH PLATING (1.0 MICROMETER MINIMUM)
 UNDER PLATE: NICKEL PLATING (1.0 MICROMETER MINIMUM)
 金具 FITTING NAIL
 錫めっき (1.0 μm以上)
 下地: ニッケルめっき (1.0 μm以上)
 TIN PLATING (1.0 MICROMETER MINIMUM)
 UNDER PLATE: NICKEL PLATING (1.0 MICROMETER MINIMUM)
- △ ソルダータール半田付け面のズレ量、及び金具半田付け面のズレ量は、基準面 \square に対し上方向0.05MAXIMUM、下方向0.15MAXIMUMとする。
 MISALIGNMENT OF SOLDER TAILS AND FITTING NAILS FROM \square
 UPPER DIRECTION: 0.05MAXIMUM
 LOWER DIRECTION: 0.15MAXIMUM.
- △ 偶数極に適用。
 APPLY FOR EVEN CIRCUIT.
- △ パターンはくり止め用金具。
 FITTING NAIL FOR PREVENTION OF PEELING OF P.C.B. PATTERN.
- △ R0.3は、FPCの導体部にカカらないこと。
 R0.3 MUST NOT BE OVERLAPPED TO PATTERN OF FPC.
7. エンボステープ梱包時は、アクチュエータがロックした状態とする。
 IN THE PACKAGE, ACTUATOR OF PART NO. 52559-**22 SHOULD BE LOCKED.
8. ソルダータールの平坦度は、0.12 MAXIMUMとする。
 SOLDER TAIL COPLANARITY IS 0.12 MAXIMUM.
9. ELV及びRoHS適合品
 ELV AND RoHS COMPLIANT.

REVISED EC NO: J2015-1624 DRWN: KONDO 2015/06/15 CHKD: TAKAHASHI 2015/06/15 APPR: YNOGAWA 2015/06/16	GENERAL TOLERANCES (UNLESS SPECIFIED)		DIMENSION STYLE	SCALE	DESIGN UNITS	THIRD ANGLE PROJECTION
			MM ONLY	---	METRIC	
	0.25 UNDER	UNDER	±0.03	DRAWN BY	DATE	TITLE
	0.25 OVER	0.5 UNDER	±0.05	AISHII	2012/09/05	0.5MM FPC CONN ZIF S/T HOUSING ASSY
	0.5 OVER	1.0 UNDER	±0.1	CHECKED BY	DATE	
1.0 OVER	10 UNDER	±0.2	KTAKAHASHI	2012/09/05		
10 OVER	30 UNDER	±0.25	APPROVED BY	DATE		
30 OVER		±0.3	KMORIKAWA	2013/03/15		
ANGULAR	±3 °		MATERIAL NO.		DOCUMENT NO.	SHEET NO.
DRAFT WHERE APPLICABLE MUST REMAIN WITHIN DIMENSIONS			SIZE	THIS DRAWING CONTAINS INFORMATION THAT IS PROPRIETARY TO MOLEX INCORPORATED AND SHOULD NOT BE USED WITHOUT WRITTEN PERMISSION		
			A3	SEE SHEET 2	SD-52559-057	1 OF 2

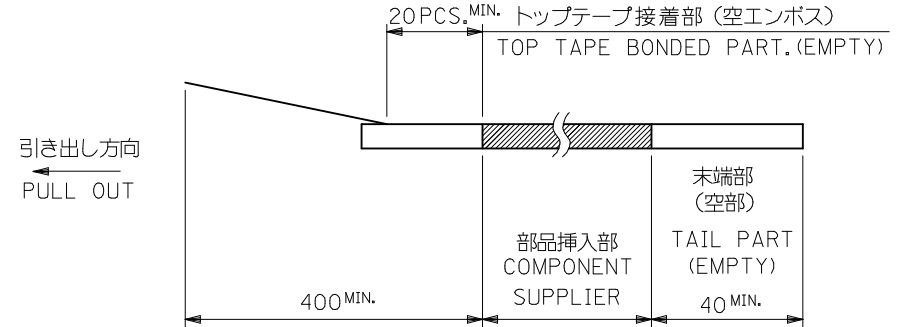


注記 NOTES

1. 製品番号 52559-**22 の梱包状態はアクチュエータがロックした状態とする。
 詳細寸法については SD-52559-057 を参照下さい。
 IN THE PACKAGE, ACTUATOR OF PART NO. 52559-**22 SHOULD BE LOCKED FOR DIMENSIONS OF PRODUCT, REFER TO SD-52559-057.

2. 梱包数量：1000個/リール
 NUMBER OF CONNECTORS: 1000PCS/REEL

3. リードテープ長さ LEAD TAPE LENGTH



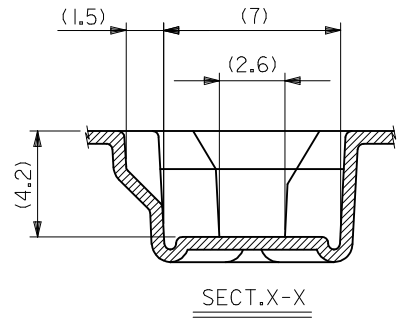
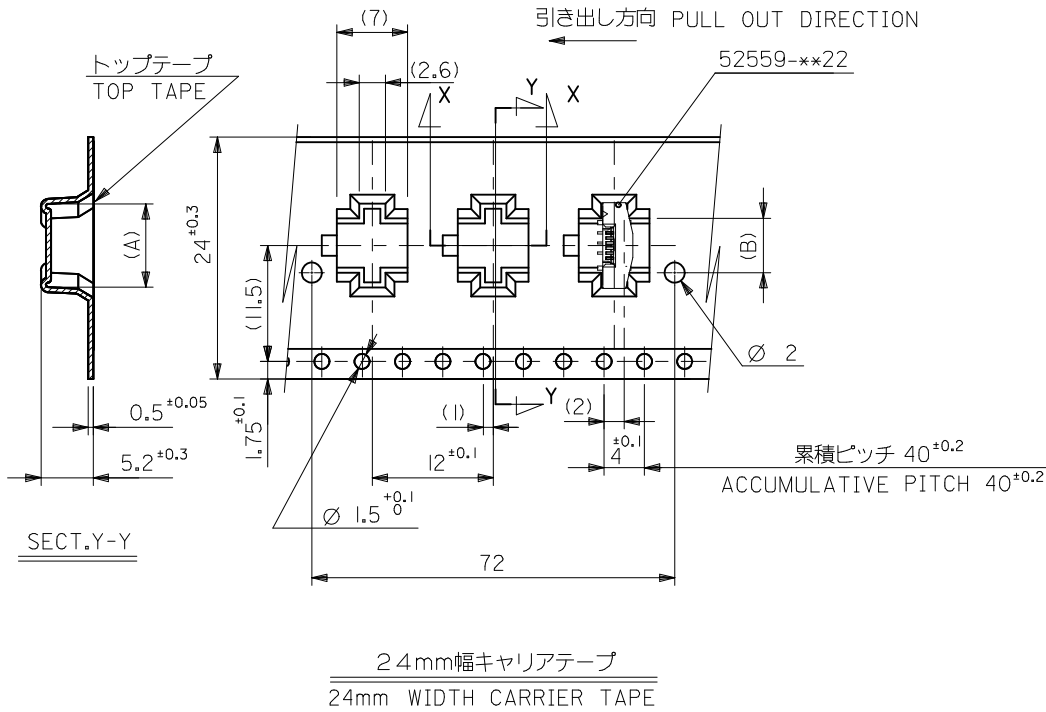
4. カバーテープの剥離強度については、IEC60286-3に準拠
 COVER TAPE PEEL FORCE IS DEFINED BY IEC 60286-3.

5. 材料 キャリアテープ：ポリプロピレン (PP)
 トップテープ：PET, PE, PEF
 リール：ポリスチレン (PS) <リサイクル材を含む>

MATERIAL CARRIER TAPE: POLYPROPYLENE
 TOP TAPE: PET, PE, PEF
 REEL: POLYSTYRENE (PS)
 <RECYCLE MATERIAL CONTAINED>

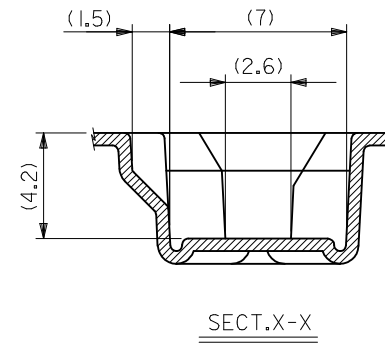
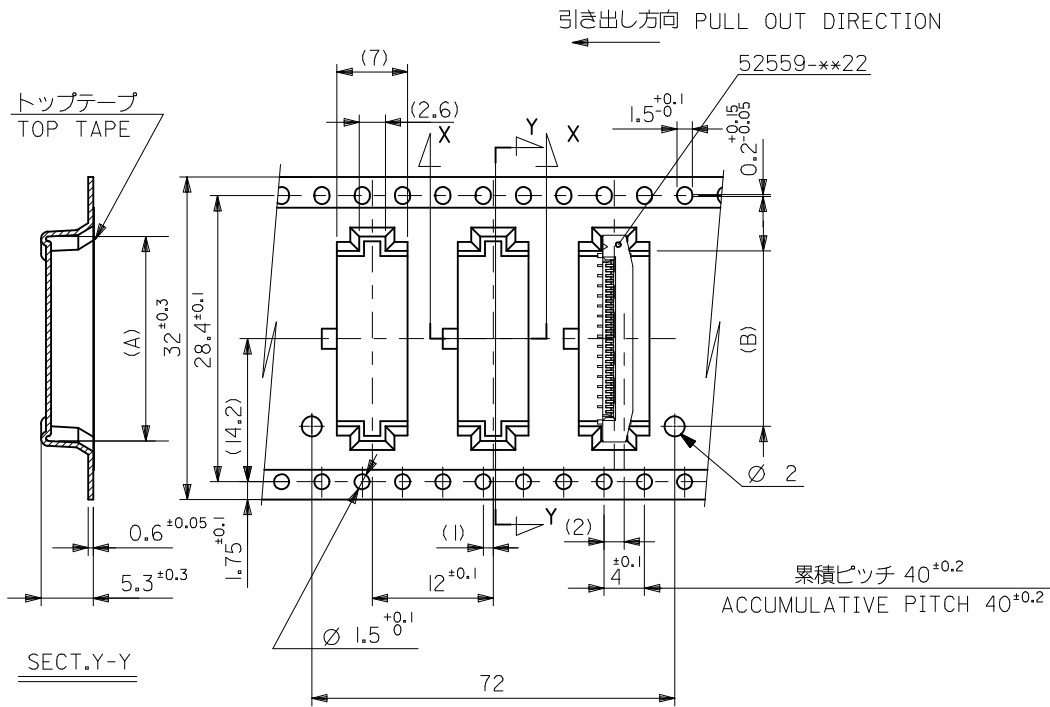
6. ELV及RoHS適合品
 ELV AND RoHS COMPLIANT

REVISED EC NO: J2014-1138 DRW: AISHII 2014/01/21 CHKD: TAKAHASHI 2014/01/21 APPR: YNOGAWA 2014/01/22	GENERAL TOLERANCES (UNLESS SPECIFIED)		DIMENSION STYLE MM ONLY		SCALE ---	DESIGN UNITS METRIC	THIRD ANGLE PROJECTION
	10 UNDER	±0.2	DRAWN BY AISHII	DATE 2012/09/05	TITLE EMBOSS TAPE PACKAGED FOR 0.5MM FPC CONN ZIF S/T HOUSING ASSY molex DOCUMENT NO. SD-52559-058 SHEET NO. 1 OF 4		
	10 OVER 30 UNDER	±0.25	CHECKED BY KTAKAHASHI	DATE 2012/09/05			
	30 OVER	±0.3	APPROVED BY KMORIKAWA	DATE 2013/03/15			
ANGULAR ±3 °		MATERIAL NO. SEE CHART					
DRAFT WHERE APPLICABLE MUST REMAIN WITHIN DIMENSIONS		SIZE A3		THIS DRAWING CONTAINS INFORMATION THAT IS PROPRIETARY TO MOLEX INCORPORATED AND SHOULD NOT BE USED WITHOUT WRITTEN PERMISSION			



24	29.4	25.4	14.4	17.3	52559-2433	24	
			13.9	16.8	52559-2333	23	
			12.9	15.8	52559-2133	21	
			12.4	15.3	52559-2033	20	
			10.9	13.8	52559-1733	17	
			10.4	13.3	52559-1633	16	
			9.9	12.8	52559-1533	15	
			9.4	12.3	52559-1433	14	
			8.4	11.3	52559-1233	12	
			7.4	10.3	52559-1033	10	
6.9	9.8	52559-0933	9				
5.4	8.3	52559-0633	6				
キャリアテープ幅 CARRIER TAPE WIDTH		D	C	(B)	(A)	EMBOSSED PACKAGE オーダー番号 ORDER No.	極数 CKT.

SEE SHEET 1 OF 4 EC NO: J2014-1138 DRW: AISHII 2014/01/21 CHKD: TAKAHASHI 2014/01/21 APPR: YNOGAWA 2014/01/22	DESCRIPTION REV	GENERAL TOLERANCES (UNLESS SPECIFIED)		DIMENSION STYLE MM ONLY		SCALE ---	DESIGN UNITS METRIC	THIRD ANGLE PROJECTION		
		10 UNDER	±0.2	DRAWN BY AISHII	DATE 2012/09/05	TITLE EMBOSS TAPE PACKAGED FOR 0.5MM FPC CONN ZIF S/T HOUSING ASSY				
		10 OVER 30 UNDER	±0.25	CHECKED BY KTAKAHASHI	DATE 2012/09/05					
		30 OVER	±0.3	APPROVED BY KMORIKAWA	DATE 2013/03/15					
ANGULAR ±3 °		DRAFT WHERE APPLICABLE MUST REMAIN WITHIN DIMENSIONS		MATERIAL NO. SEE CHART		DOCUMENT NO. SD-52559-058		SHEET NO. 2 OF 4		
SIZE A3		THIS DRAWING CONTAINS INFORMATION THAT IS PROPRIETARY TO MOLEX INCORPORATED AND SHOULD NOT BE USED WITHOUT WRITTEN PERMISSION								

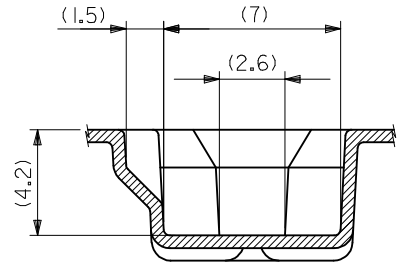
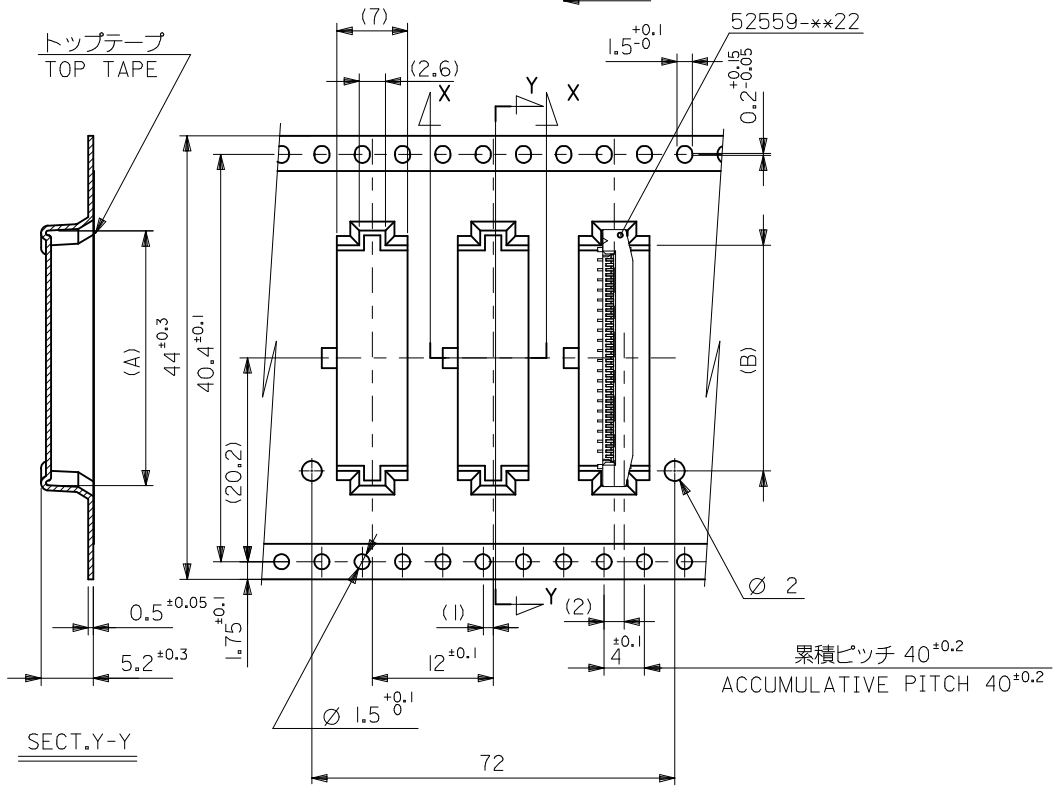


32mm幅キャリアテープ
32mm WIDTH CARRIER TAPE

32	37.4	33.4	18.4	21.3	52559-3233	32
			17.4	20.3	52559-3033	30
			16.4	19.3	52559-2833	28
			15.9	18.8	52559-2733	27
			15.4	18.3	52559-2633	26
キャリアテープ幅 CARRIER TAPE WIDTH		D	C	(B)	(A)	EMBOSSED PACKAGE 極数 オーダー番号 ORDER No. CKT.

SEE SHEET 1 OF 4 EC NO: J2014-1138 DRW: AISHII 2014/01/21 CHKD: TAKAHASHI 2014/01/21 APPR: YNOGAWA 2014/01/22	DESCRIPTION	GENERAL TOLERANCES (UNLESS SPECIFIED)		DIMENSION STYLE MM ONLY		SCALE ---	DESIGN UNITS METRIC	THIRD ANGLE PROJECTION	
		10 UNDER	±0.2	DRAWN BY AISHII	DATE 2012/09/05	TITLE EMBOSS TAPE PACKAGED FOR 0.5MM FPC CONN ZIF S/T HOUSING ASSY			
		10 OVER 30 UNDER	±0.25	CHECKED BY TAKAHASHI	DATE 2012/09/05				
		30 OVER	±0.3	APPROVED BY KMORIKAWA	DATE 2013/03/15				
ANGULAR ±3 °		DRAFT WHERE APPLICABLE MUST REMAIN WITHIN DIMENSIONS		MATERIAL NO. SEE CHART		DOCUMENT NO. SD-52559-058		SHEET NO. 3 OF 4	
SIZE A3		THIS DRAWING CONTAINS INFORMATION THAT IS PROPRIETARY TO MOLEX INCORPORATED AND SHOULD NOT BE USED WITHOUT WRITTEN PERMISSION							

引き出し方向 PULL OUT DIRECTION



SECT.X-X

44mm幅キャリアテープ
44mm WIDTH CARRIER TAPE

44	49.4	45.4	23.4	26.3	52559-4233	42	
			22.4	25.3	52559-4033	40	
			20.4	23.3	52559-3633	36	
キャリアテープ幅 CARRIER TAPE WIDTH		D	C	(B)	(A)	EMBOSSED PACKAGE 極数 ORDER No. ORDER No.	極数 CKT.

SEE SHEET 1 OF 4 EC NO: J2014-1138 DRW: AISHII 2014/01/21 CHKD: TAKAHASHI 2014/01/21 APPR: YNOGAWA 2014/01/22	GENERAL TOLERANCES (UNLESS SPECIFIED)		DIMENSION STYLE MM ONLY		SCALE ---	DESIGN UNITS METRIC	THIRD ANGLE PROJECTION
	10 UNDER	±0.2	DRAWN BY AISHII	DATE 2012/09/05	TITLE EMBOSS TAPE PACKAGED FOR 0.5MM FPC CONN ZIF S/T HOUSING ASSY		
	10 OVER 30 UNDER	±0.25	CHECKED BY KTAKAHASHI	DATE 2012/09/05			
	30 OVER	±0.3	APPROVED BY KMORIKAWA	DATE 2013/03/15			
ANGULAR ±3 °		DRAFT WHERE APPLICABLE MUST REMAIN WITHIN DIMENSIONS		MATERIAL NO. SEE CHART		DOCUMENT NO. SD-52559-058	SHEET NO. 4 OF 4
SIZE A3		THIS DRAWING CONTAINS INFORMATION THAT IS PROPRIETARY TO MOLEX INCORPORATED AND SHOULD NOT BE USED WITHOUT WRITTEN PERMISSION					