

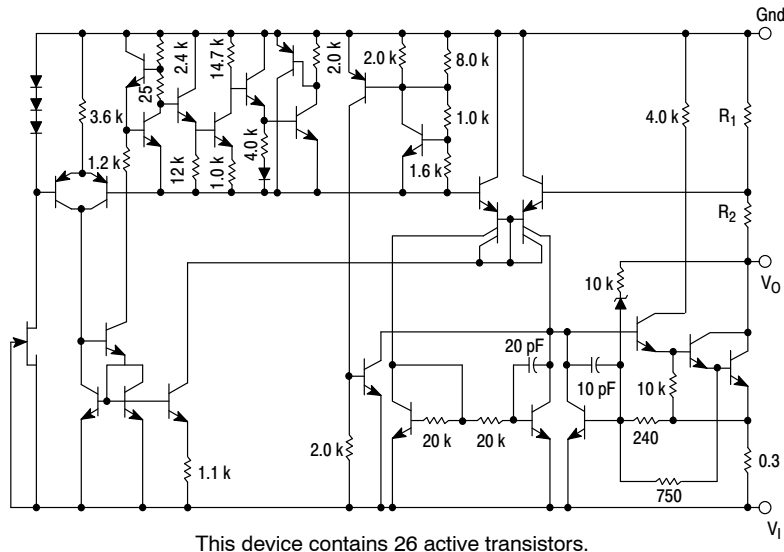
MC7900 Series

1.0 A Negative Voltage Regulators

The MC7900 series of fixed output negative voltage regulators are intended as complements to the popular MC7800 series devices. These negative regulators are available in the same seven-voltage options as the MC7800 devices. In addition, one extra voltage option commonly employed in MECL systems is also available in the negative MC7900 series.

Available in fixed output voltage options from -5.0 V to -24 V , these regulators employ current limiting, thermal shutdown, and safe-area compensation – making them remarkably rugged under most operating conditions. With adequate heatsinking they can deliver output currents in excess of 1.0 A.

- No External Components Required
- Internal Thermal Overload Protection
- Internal Short Circuit Current Limiting
- Output Transistor Safe-Area Compensation
- Available in 2% Voltage Tolerance (See Ordering Information)
- Pb-Free Package May be Available. The G-Suffix Denotes a Pb-Free Lead Finish



This device contains 26 active transistors.

Figure 1. Representative Schematic Diagram

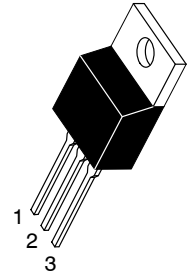


ON Semiconductor®

<http://onsemi.com>

TO-220
T SUFFIX
CASE 221AB

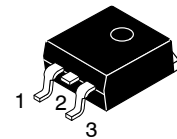
Heatsink surface
connected to Pin 2.



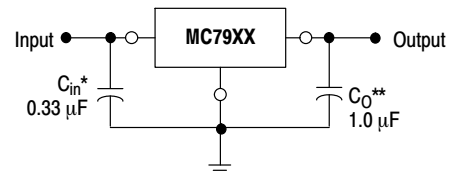
Pin 1. Ground
2. Input
3. Output

D²PAK
D2T SUFFIX
CASE 936

Heatsink surface (shown as terminal 4 in
case outline drawing) is connected to Pin 2.



STANDARD APPLICATION



A common ground is required between the input and the output voltages. The input voltage must remain typically 2.0 V above more negative even during the high point of the input ripple voltage.

XX, These two digits of the type number indicate nominal voltage.

* C_{in} is required if regulator is located an appreciable distance from power supply filter.

** C_O improve stability and transient response.

ORDERING INFORMATION

See detailed ordering and shipping information in the package dimensions section on page 11 of this data sheet.

DEVICE MARKING INFORMATION

See general marking information in the device marking section on page 14 of this data sheet.

MC7900 Series

MAXIMUM RATINGS ($T_A = +25^\circ\text{C}$, unless otherwise noted.)

| Rating | Symbol | Value | Unit |
|---|--|--|--|
| Input Voltage ($-5.0\text{ V} \geq V_O \geq -18\text{ V}$) (24 V) | V_I | -35 -40 | Vdc |
| Power Dissipation Case 221A $T_A = +25^\circ\text{C}$ Thermal Resistance, Junction-to-Ambient Thermal Resistance, Junction-to-Case Case 936 (D ² PAK) $T_A = +25^\circ\text{C}$ Thermal Resistance, Junction-to-Ambient Thermal Resistance, Junction-to-Case | P_D θ_{JA} θ_{JC} P_D θ_{JA} θ_{JC} | Internally Limited 65 5.0 Internally Limited 70 5.0 | W $^\circ\text{C}/\text{W}$ $^\circ\text{C}/\text{W}$ W $^\circ\text{C}/\text{W}$ $^\circ\text{C}/\text{W}$ |
| Storage Junction Temperature Range | T_{stg} | -65 to +150 | $^\circ\text{C}$ |
| Junction Temperature | T_J | +150 | $^\circ\text{C}$ |

Stresses exceeding Maximum Ratings may damage the device. Maximum Ratings are stress ratings only. Functional operation above the Recommended Operating Conditions is not implied. Extended exposure to stresses above the Recommended Operating Conditions may affect device reliability.

*This device series contains ESD protection and exceeds the following tests:

Human Body Model 2000 V per MIL_STD_883, Method 3015

Machine Model Method 200 V

MC7905B, MC7905C

ELECTRICAL CHARACTERISTICS ($V_I = -10\text{ V}$, $I_O = 500\text{ mA}$, $T_{low}^* < T_J < +125^\circ\text{C}$, unless otherwise noted.)

| Characteristics | Symbol | Min | Typ | Max | Unit |
|--|-------------------------|-------------|-------------------------|-----------------------|----------------------------|
| Output Voltage ($T_J = +25^\circ\text{C}$) | V_O | -4.8 | -5.0 | -5.2 | Vdc |
| Line Regulation (Note 1) ($T_J = +25^\circ\text{C}$, $I_O = 100\text{ mA}$) $-7.0\text{ Vdc} \geq V_I \geq -25\text{ Vdc}$ $-8.0\text{ Vdc} \geq V_I \geq -12\text{ Vdc}$ ($T_J = +25^\circ\text{C}$, $I_O = 500\text{ mA}$) $-7.0\text{ Vdc} \geq V_I \geq -25\text{ Vdc}$ $-8.0\text{ Vdc} \geq V_I \geq -12\text{ Vdc}$ | Reg_{line} | - - - | 7.0 2.0 35 8.0 | 50 25 100 50 | mV |
| Load Regulation, $T_J = +25^\circ\text{C}$ (Note 1) $5.0\text{ mA} \leq I_O \leq 1.5\text{ A}$ $250\text{ mA} \leq I_O \leq 750\text{ mA}$ | Reg_{load} | - - | 11 4.0 | 100 50 | mV |
| Output Voltage $-7.0\text{ Vdc} \geq V_I \geq -20\text{ Vdc}$, $5.0\text{ mA} \leq I_O \leq 1.0\text{ A}$, $P \leq 15\text{ W}$ | V_O | -4.75 | - | -5.25 | Vdc |
| Input Bias Current ($T_J = +25^\circ\text{C}$) | I_{IB} | - | 4.3 | 8.0 | mA |
| Input Bias Current Change $-7.0\text{ Vdc} \geq V_I \geq -25\text{ Vdc}$ $5.0\text{ mA} \leq I_O \leq 1.5\text{ A}$ | ΔI_{IB} | - - | - - | 1.3 0.5 | mA |
| Output Noise Voltage ($T_A = +25^\circ\text{C}$, $10\text{ Hz} \leq f \leq 100\text{ kHz}$) | V_n | - | 40 | - | μV |
| Ripple Rejection ($I_O = 20\text{ mA}$, $f = 120\text{ Hz}$) | RR | - | 70 | - | dB |
| Dropout Voltage $I_O = 1.0\text{ A}$, $T_J = +25^\circ\text{C}$ | $V_I - V_O$ | - | 1.3 | - | Vdc |
| Average Temperature Coefficient of Output Voltage $I_O = 5.0\text{ mA}$, $T_{low}^* \leq T_J \leq +125^\circ\text{C}$ | $\Delta V_O / \Delta T$ | - | -1.0 | - | $\text{mV}/^\circ\text{C}$ |

1. Load and line regulation are specified at constant junction temperature. Changes in V_O due to heating effects must be taken into account separately. Pulse testing with low duty cycle is used.

* $T_{low} = -40^\circ\text{C}$ for MC7905B and $T_{low} = 0^\circ\text{C}$ for MC7905C.

MC7900 Series

MC7905AC

ELECTRICAL CHARACTERISTICS ($V_I = -10\text{ V}$, $I_O = 500\text{ mA}$, $0^\circ\text{C} < T_J < +125^\circ\text{C}$, unless otherwise noted.)

| Characteristics | Symbol | Min | Typ | Max | Unit |
|---|----------------------------|-------|--------------------------|----------------------|----------------------------|
| Output Voltage ($T_J = +25^\circ\text{C}$) | V_O | -4.9 | -5.0 | -5.1 | Vdc |
| Line Regulation (Note 2) -8.0 Vdc $\geq V_I \geq -12\text{ Vdc}$; $I_O = 1.0\text{ A}$, $T_J = +25^\circ\text{C}$ -8.0 Vdc $\geq V_I \geq -12\text{ Vdc}$; $I_O = 1.0\text{ A}$ -7.5 Vdc $\geq V_I \geq -25\text{ Vdc}$; $I_O = 500\text{ mA}$ -7.0 Vdc $\geq V_I \geq -20\text{ Vdc}$; $I_O = 1.0\text{ A}$, $T_J = +25^\circ\text{C}$ | Reg_{line} | - | 2.0 7.0 7.0 6.0 | 25 50 50 50 | mV |
| Load Regulation (Note 2) $5.0\text{ mA} \leq I_O \leq 1.5\text{ A}$, $T_J = +25^\circ\text{C}$ $250\text{ mA} \leq I_O \leq 750\text{ mA}$ $5.0\text{ mA} \leq I_O \leq 1.0\text{ A}$ | Reg_{load} | - | 11 4.0 9.0 | 100 50 100 | mV |
| Output Voltage -7.5 Vdc $\geq V_I \geq -20\text{ Vdc}$, $5.0\text{ mA} \leq I_O \leq 1.0\text{ A}$, $P \leq 15\text{ W}$ | V_O | -4.80 | - | -5.20 | Vdc |
| Input Bias Current | I_{IB} | - | 4.4 | 8.0 | mA |
| Input Bias Current Change -7.5 Vdc $\geq V_I \geq -25\text{ Vdc}$ $5.0\text{ mA} \leq I_O \leq 1.0\text{ A}$ $5.0\text{ mA} \leq I_O \leq 1.5\text{ A}$, $T_J = +25^\circ\text{C}$ | ΔI_{IB} | - | - | 1.3 0.5 0.5 | mA |
| Output Noise Voltage ($T_A = +25^\circ\text{C}$, $10\text{ Hz} \leq f \leq 100\text{ kHz}$) | V_n | - | 40 | - | μV |
| Ripple Rejection ($I_O = \text{mA}$, $f = 120\text{ Hz}$) | RR | - | 70 | - | dB |
| Dropout Voltage ($I_O = 1.0\text{ A}$, $T_J = +25^\circ\text{C}$) | $V_I - V_O$ | - | 1.3 | - | Vdc |
| Average Temperature Coefficient of Output Voltage $I_O = 5.0\text{ A}$, $0^\circ\text{C} \leq T_J \leq +125^\circ\text{C}$ | $\Delta V_O / \Delta T$ | - | -1.0 | - | $\text{mV}/^\circ\text{C}$ |

MC7905.2C

ELECTRICAL CHARACTERISTICS ($V_I = -10\text{ V}$, $I_O = 500\text{ mA}$, $0^\circ\text{C} < T_J < +125^\circ\text{C}$, unless otherwise noted.)

| Characteristics | Symbol | Min | Typ | Max | Unit |
|--|----------------------------|-------|-------------------------|-----------------------|----------------------------|
| Output Voltage ($T_J = +25^\circ\text{C}$) | V_O | -5.0 | -5.2 | -5.4 | Vdc |
| Line Regulation (Note 2) ($T_J = +25^\circ\text{C}$, $I_O = 100\text{ mA}$) -7.2 Vdc $\geq V_I \geq -25\text{ Vdc}$ -8.0 Vdc $\geq V_I \geq -12\text{ Vdc}$ ($T_J = +25^\circ\text{C}$, $I_O = 500\text{ mA}$) -7.2 Vdc $\geq V_I \geq -25\text{ Vdc}$ -8.0 Vdc $\geq V_I \geq -12\text{ Vdc}$ | Reg_{line} | - | 8.0 2.2 37 8.5 | 52 27 105 52 | mV |
| Load Regulation, $T_J = +25^\circ\text{C}$ (Note 2) $5.0\text{ mA} \leq I_O \leq 1.5\text{ A}$ $250\text{ mA} \leq I_O \leq 750\text{ mA}$ | Reg_{load} | - | 12 4.5 | 105 52 | mV |
| Output Voltage -7.2 Vdc $\geq V_I \geq -20\text{ Vdc}$, $5.0\text{ mA} \leq I_O \leq 1.0\text{ A}$, $P \leq 15\text{ W}$ | V_O | -4.95 | - | -5.45 | Vdc |
| Input Bias Current ($T_J = +25^\circ\text{C}$) | I_{IB} | - | 4.3 | 8.0 | mA |
| Input Bias Current Change -7.2 Vdc $\geq V_I \geq -25\text{ Vdc}$ $5.0\text{ mA} \leq I_O \leq 1.5\text{ A}$ | ΔI_{IB} | - | - | 1.3 0.5 | mA |
| Output Noise Voltage ($T_A = +25^\circ\text{C}$, $10\text{ Hz} \leq f \leq 100\text{ kHz}$) | V_n | - | 42 | - | μV |
| Ripple Rejection ($I_O = 20\text{ mA}$, $f = 120\text{ Hz}$) | RR | - | 68 | - | dB |
| Dropout Voltage ($I_O = 1.0\text{ A}$, $T_J = +25^\circ\text{C}$) | $V_I - V_O$ | - | 1.3 | - | Vdc |
| Average Temperature Coefficient of Output Voltage $I_O = 5.0\text{ mA}$, $0^\circ\text{C} \leq T_J \leq +125^\circ\text{C}$ | $\Delta V_O / \Delta T$ | - | -1.0 | - | $\text{mV}/^\circ\text{C}$ |

2. Load and line regulation are specified at constant junction temperature. Changes in V_O due to heating effects must be taken into account separately. Pulse testing with low duty cycle is used.

MC7900 Series

MC7906C

ELECTRICAL CHARACTERISTICS ($V_I = -11\text{ V}$, $I_O = 500\text{ mA}$, $0^\circ\text{C} < T_J < +125^\circ\text{C}$, unless otherwise noted.)

| Characteristics | Symbol | Min | Typ | Max | Unit |
|--|----------------------------|-------|------------|------------|----------------------------|
| Output Voltage ($T_J = +25^\circ\text{C}$) | V_O | -5.75 | -6.0 | -6.25 | Vdc |
| Line Regulation (Note 3) ($T_J = +25^\circ\text{C}$, $I_O = 100\text{ mA}$) -8.0 Vdc $\geq V_I \geq -25\text{ Vdc}$ -9.0 Vdc $\geq V_I \geq -13\text{ Vdc}$ ($T_J = +25^\circ\text{C}$, $I_O = 500\text{ mA}$) -8.0 Vdc $\geq V_I \geq -25\text{ Vdc}$ -9.0 Vdc $\geq V_I \geq -13\text{ Vdc}$ | Reg_{line} | - | 9.0 3.0 | 60 30 | mV |
| Load Regulation, $T_J = +25^\circ\text{C}$ (Note 3) $5.0\text{ mA} \leq I_O \leq 1.5\text{ A}$ $250\text{ mA} \leq I_O \leq 750\text{ mA}$ | Reg_{load} | - | 13 5.0 | 120 60 | mV |
| Output Voltage -8.0 Vdc $\geq V_I \geq -21\text{ Vdc}$, $5.0\text{ mA} \leq I_O \leq 1.0\text{ A}$, $P \leq 15\text{ W}$ | V_O | -5.7 | - | -6.3 | Vdc |
| Input Bias Current ($T_J = +25^\circ\text{C}$) | I_{IB} | - | 4.3 | 8.0 | mA |
| Input Bias Current Change -8.0 Vdc $\geq V_I \geq -25\text{ Vdc}$ $5.0\text{ mA} \leq I_O \leq 1.5\text{ A}$ | ΔI_{IB} | - | - | 1.3 0.5 | mA |
| Output Noise Voltage ($T_A = +25^\circ\text{C}$, $10\text{ Hz} \leq f \leq 100\text{ kHz}$) | V_n | - | 45 | - | μV |
| Ripple Rejection ($I_O = 20\text{ mA}$, $f = 120\text{ Hz}$) | RR | - | 65 | - | dB |
| Dropout Voltage ($I_O = 1.0\text{ A}$, $T_J = +25^\circ\text{C}$) | $V_I - V_O$ | - | 1.3 | - | Vdc |
| Average Temperature Coefficient of Output Voltage $I_O = 5.0\text{ A}$, $0^\circ\text{C} \leq T_J \leq +125^\circ\text{C}$ | $\Delta V_O / \Delta T$ | - | -1.0 | - | $\text{mV}/^\circ\text{C}$ |

MC7908C

ELECTRICAL CHARACTERISTICS ($V_I = -14\text{ V}$, $I_O = 500\text{ mA}$, $0^\circ\text{C} < T_J < +125^\circ\text{C}$, unless otherwise noted.)

| Characteristics | Symbol | Min | Typ | Max | Unit |
|--|----------------------------|------|-----------|------------|----------------------------|
| Output Voltage ($T_J = +25^\circ\text{C}$) | V_O | -7.7 | -8.0 | -8.3 | Vdc |
| Line Regulation (Note 3) ($T_J = +25^\circ\text{C}$, $I_O = 100\text{ mA}$) -10.5 Vdc $\geq V_I \geq -25\text{ Vdc}$ -11 Vdc $\geq V_I \geq -17\text{ Vdc}$ ($T_J = +25^\circ\text{C}$, $I_O = 500\text{ mA}$) -10.5 Vdc $\geq V_I \geq -25\text{ Vdc}$ -11 Vdc $\geq V_I \geq -17\text{ Vdc}$ | Reg_{line} | - | 12 5.0 | 80 40 | mV |
| Load Regulation, $T_J = +25^\circ\text{C}$ (Note 3) $5.0\text{ mA} \leq I_O \leq 1.5\text{ A}$ $250\text{ mA} \leq I_O \leq 750\text{ mA}$ | Reg_{load} | - | 26 9.0 | 160 80 | mV |
| Output Voltage -10.5 Vdc $\geq V_I \geq -23\text{ Vdc}$, $5.0\text{ mA} \leq I_O \leq 1.0\text{ A}$, $P \leq 15\text{ W}$ | V_O | -7.6 | - | -8.4 | Vdc |
| Input Bias Current ($T_J = +25^\circ\text{C}$) | I_{IB} | - | 4.3 | 8.0 | mA |
| Input Bias Current Change -10.5 Vdc $\geq V_I \geq -25\text{ Vdc}$ $5.0\text{ mA} \leq I_O \leq 1.5\text{ A}$ | ΔI_{IB} | - | - | 1.0 0.5 | mA |
| Output Noise Voltage ($T_A = +25^\circ\text{C}$, $10\text{ Hz} \leq f \leq 100\text{ kHz}$) | V_n | - | 52 | - | μV |
| Ripple Rejection ($I_O = 20\text{ mA}$, $f = 120\text{ Hz}$) | RR | - | 62 | - | dB |
| Dropout Voltage ($I_O = 1.0\text{ A}$, $T_J = +25^\circ\text{C}$) | $V_I - V_O$ | - | 1.3 | - | Vdc |
| Average Temperature Coefficient of Output Voltage $I_O = 5.0\text{ mA}$, $0^\circ\text{C} \leq T_J \leq +125^\circ\text{C}$ | $\Delta V_O / \Delta T$ | - | -1.0 | - | $\text{mV}/^\circ\text{C}$ |

3. Load and line regulation are specified at constant junction temperature. Changes in V_O due to heating effects must be taken into account separately. Pulse testing with low duty cycle is used.

MC7900 Series

MC7912B, MC7912C

ELECTRICAL CHARACTERISTICS ($V_I = -19\text{ V}$, $I_O = 500\text{ mA}$, $T_{low}^* < T_J < +125^\circ\text{C}$, unless otherwise noted.)

| Characteristics | Symbol | Min | Typ | Max | Unit |
|--|-------------------------|-------|-----------|------------|----------------------------|
| Output Voltage ($T_J = +25^\circ\text{C}$) | V_O | -11.5 | -12 | -12.5 | Vdc |
| Line Regulation (Note 4) ($T_J = +25^\circ\text{C}$, $I_O = 100\text{ mA}$) -14.5 Vdc $\geq V_I \geq -30\text{ Vdc}$ -16 Vdc $\geq V_I \geq -22\text{ Vdc}$ ($T_J = +25^\circ\text{C}$, $I_O = 500\text{ mA}$) -14.5 Vdc $\geq V_I \geq -30\text{ Vdc}$ -16 Vdc $\geq V_I \geq -22\text{ Vdc}$ | Reg_{line} | - | 13 6.0 | 120 60 | mV |
| Load Regulation, $T_J = +25^\circ\text{C}$ (Note 4) $5.0\text{ mA} \leq I_O \leq 1.5\text{ A}$ $250\text{ mA} \leq I_O \leq 750\text{ mA}$ | Reg_{load} | - | 46 17 | 240 120 | mV |
| Output Voltage -14.5 Vdc $\geq V_I \geq -27\text{ Vdc}$, $5.0\text{ mA} \leq I_O \leq 1.0\text{ A}$, $P \leq 15\text{ W}$ | V_O | -11.4 | - | -12.6 | Vdc |
| Input Bias Current ($T_J = +25^\circ\text{C}$) | I_{IB} | - | 4.4 | 8.0 | mA |
| Input Bias Current Change -14.5 Vdc $\geq V_I \geq -30\text{ Vdc}$ $5.0\text{ mA} \leq I_O \leq 1.5\text{ A}$ | ΔI_{IB} | - | - | 1.0 0.5 | mA |
| Output Noise Voltage ($T_A = +25^\circ\text{C}$, $10\text{ Hz} \leq f \leq 100\text{ kHz}$) | V_n | - | 75 | - | μV |
| Ripple Rejection ($I_O = 20\text{ mA}$, $f = 120\text{ Hz}$) | RR | - | 61 | - | dB |
| Dropout Voltage ($I_O = 1.0\text{ A}$, $T_J = +25^\circ\text{C}$) | $V_I - V_O$ | - | 1.3 | - | Vdc |
| Average Temperature Coefficient of Output Voltage $I_O = 5.0\text{ mA}$, $T_{low}^* \leq T_J \leq +125^\circ\text{C}$ | $\Delta V_O / \Delta T$ | - | -1.0 | - | $\text{mV}/^\circ\text{C}$ |

MC7912AC

ELECTRICAL CHARACTERISTICS ($V_I = -19\text{ V}$, $I_O = 500\text{ mA}$, $T_{low}^* < T_J < +125^\circ\text{C}$, unless otherwise noted.)

| Characteristics | Symbol | Min | Typ | Max | Unit |
|---|-------------------------|--------|-----------------------|-------------------------|----------------------------|
| Output Voltage ($T_J = +25^\circ\text{C}$) | V_O | -11.75 | -12 | -12.25 | Vdc |
| Line Regulation (Note 4) -16 Vdc $\geq V_I \geq -22\text{ Vdc}$; $I_O = 1.0\text{ A}$, $T_J = +25^\circ\text{C}$ -16 Vdc $\geq V_I \geq -22\text{ Vdc}$; $I_O = 1.0\text{ A}$ -14.8 Vdc $\geq V_I \geq -30\text{ Vdc}$; $I_O = 500\text{ mA}$ -14.5 Vdc $\geq V_I \geq -27\text{ Vdc}$; $I_O = 1.0\text{ A}$, $T_J = +25^\circ\text{C}$ | Reg_{line} | - | 6.0 24 24 13 | 60 120 120 120 | mV |
| Load Regulation (Note 4) $5.0\text{ mA} \leq I_O \leq 1.5\text{ A}$, $T_J = +25^\circ\text{C}$ $250\text{ mA} \leq I_O \leq 750\text{ mA}$ $5.0\text{ mA} \leq I_O \leq 1.0\text{ A}$ | Reg_{load} | - | 46 17 35 | 150 75 150 | mV |
| Output Voltage -14.8 Vdc $\geq V_I \geq -27\text{ Vdc}$, $5.0\text{ mA} \leq I_O \leq 1.0\text{ A}$, $P \leq 15\text{ W}$ | V_O | -11.5 | - | -12.5 | Vdc |
| Input Bias Current | I_{IB} | - | 4.4 | 8.0 | mA |
| Input Bias Current Change -15 Vdc $\geq V_I \geq -30\text{ Vdc}$ $5.0\text{ mA} \leq I_O \leq 1.0\text{ A}$ $5.0\text{ mA} \leq I_O \leq 1.5\text{ A}$, $T_J = +25^\circ\text{C}$ | ΔI_{IB} | - | - | 0.8 0.5 0.5 | mA |
| Output Noise Voltage ($T_A = +25^\circ\text{C}$, $10\text{ Hz} \leq f \leq 100\text{ kHz}$) | V_n | - | 75 | - | μV |
| Ripple Rejection ($I_O = 20\text{ mA}$, $f = 120\text{ Hz}$) | RR | - | 61 | - | dB |
| Dropout Voltage ($I_O = 1.0\text{ A}$, $T_J = +25^\circ\text{C}$) | $V_I - V_O$ | - | 1.3 | - | Vdc |
| Average Temperature Coefficient of Output Voltage $I_O = 5.0\text{ A}$, $T_{low}^* \leq T_J \leq +125^\circ\text{C}$ | $\Delta V_O / \Delta T$ | - | -1.0 | - | $\text{mV}/^\circ\text{C}$ |

4. Load and line regulation are specified at constant junction temperature. Changes in V_O due to heating effects must be taken into account separately. Pulse testing with low duty cycle is used.

* $T_{low} = -40^\circ\text{C}$ for MC7912B and $T_{low} = 0^\circ\text{C}$ for MC7912C.

MC7900 Series

MC7915B, MC7915C

ELECTRICAL CHARACTERISTICS ($V_I = -23\text{ V}$, $I_O = 500\text{ mA}$, $T_{low}^* < T_J < +125^\circ\text{C}$, unless otherwise noted.)

| Characteristics | Symbol | Min | Typ | Max | Unit |
|--|-------------------------|--------|-----------|------------|----------------------------|
| Output Voltage ($T_J = +25^\circ\text{C}$) | V_O | -14.4 | -15 | -15.6 | Vdc |
| Line Regulation (Note 5) ($T_J = +25^\circ\text{C}$, $I_O = 100\text{ mA}$) -17.5 Vdc $\geq V_I \geq -30\text{ Vdc}$ -20 Vdc $\geq V_I \geq -26\text{ Vdc}$ ($T_J = +25^\circ\text{C}$, $I_O = 500\text{ mA}$) -17.5 Vdc $\geq V_I \geq -30\text{ Vdc}$ -20 Vdc $\geq V_I \geq -26\text{ Vdc}$ | Reg_{line} | - | 14 6.0 | 150 75 | mV |
| Load Regulation, $T_J = +25^\circ\text{C}$ (Note 5) $5.0\text{ mA} \leq I_O \leq 1.5\text{ A}$ $250\text{ mA} \leq I_O \leq 750\text{ mA}$ | Reg_{load} | - | 68 25 | 300 150 | mV |
| Output Voltage -17.5 Vdc $\geq V_I \geq -30\text{ Vdc}$, $5.0\text{ mA} \leq I_O \leq 1.0\text{ A}$, $P \leq 15\text{ W}$ | V_O | -14.25 | - | -15.75 | Vdc |
| Input Bias Current ($T_J = +25^\circ\text{C}$) | I_{IB} | - | 4.4 | 8.0 | mA |
| Input Bias Current Change -17.5 Vdc $\geq V_I \geq -30\text{ Vdc}$ $5.0\text{ mA} \leq I_O \leq 1.5\text{ A}$ | ΔI_{IB} | - | - | 1.0 0.5 | mA |
| Output Noise Voltage ($T_A = +25^\circ\text{C}$, $10\text{ Hz} \leq f \leq 100\text{ kHz}$) | V_n | - | 90 | - | μV |
| Ripple Rejection ($I_O = 20\text{ mA}$, $f = 120\text{ Hz}$) | RR | - | 60 | - | dB |
| Dropout Voltage ($I_O = 1.0\text{ A}$, $T_J = +25^\circ\text{C}$) | $V_I - V_O$ | - | 1.3 | - | Vdc |
| Average Temperature Coefficient of Output Voltage $I_O = 5.0\text{ A}$, $T_{low}^* \leq T_J \leq +125^\circ\text{C}$ | $\Delta V_O / \Delta T$ | - | -1.0 | - | $\text{mV}/^\circ\text{C}$ |

MC7915AC

ELECTRICAL CHARACTERISTICS ($V_I = -23\text{ V}$, $I_O = 500\text{ mA}$, $T_{low}^* < T_J < +125^\circ\text{C}$, unless otherwise noted.)

| Characteristics | Symbol | Min | Typ | Max | Unit |
|---|-------------------------|-------|----------------------|-------------------------|----------------------------|
| Output Voltage ($T_J = +25^\circ\text{C}$) | V_O | -14.7 | -15 | -15.3 | Vdc |
| Line Regulation (Note 5) -20 Vdc $\geq V_I \geq -26\text{ Vdc}$, $I_O = 1.0\text{ A}$, $T_J = +25^\circ\text{C}$ -20 Vdc $\geq V_I \geq -26\text{ Vdc}$, $I_O = 1.0\text{ A}$, -17.9 Vdc $\geq V_I \geq -30\text{ Vdc}$, $I_O = 500\text{ mA}$ -17.5 Vdc $\geq V_I \geq -30\text{ Vdc}$, $I_O = 1.0\text{ A}$, $T_J = +25^\circ\text{C}$ | Reg_{line} | - | 27 57 57 57 | 75 150 150 150 | mV |
| Load Regulation (Note 5) $5.0\text{ mA} \leq I_O \leq 1.5\text{ A}$, $T_J = +25^\circ\text{C}$ $250\text{ mA} \leq I_O \leq 750\text{ mA}$ $5.0\text{ mA} \leq I_O \leq 1.0\text{ A}$ | Reg_{load} | - | 68 25 40 | 150 75 150 | mV |
| Output Voltage -17.9 Vdc $\geq V_I \geq -30\text{ Vdc}$, $5.0\text{ mA} \leq I_O \leq 1.0\text{ A}$, $P \leq 15\text{ W}$ | V_O | -14.4 | - | -15.6 | Vdc |
| Input Bias Current | I_{IB} | - | 4.4 | 8.0 | mA |
| Input Bias Current Change -17.5 Vdc $\geq V_I \geq -30\text{ Vdc}$ $5.0\text{ mA} \leq I_O \leq 1.0\text{ A}$ $5.0\text{ mA} \leq I_O \leq 1.5\text{ A}$, $T_J = +25^\circ\text{C}$ | ΔI_{IB} | - | - | 0.8 0.5 0.5 | mA |
| Output Noise Voltage ($T_A = +25^\circ\text{C}$, $10\text{ Hz} \leq f \leq 100\text{ kHz}$) | V_n | - | 90 | - | μV |
| Ripple Rejection ($I_O = 20\text{ mA}$, $f = 120\text{ Hz}$) | RR | - | 60 | - | dB |
| Dropout Voltage ($I_O = 1.0\text{ A}$, $T_J = +25^\circ\text{C}$) | $V_I - V_O$ | - | 1.3 | - | Vdc |
| Average Temperature Coefficient of Output Voltage $I_O = 5.0\text{ mA}$, $T_{low}^* \leq T_J \leq +125^\circ\text{C}$ | $\Delta V_O / \Delta T$ | - | -1.0 | - | $\text{mV}/^\circ\text{C}$ |

5. Load and line regulation are specified at constant junction temperature. Changes in V_O due to heating effects must be taken into account separately. Pulse testing with low duty cycle is used.

* $T_{low} = -40^\circ\text{C}$ for MC7915B and $T_{low} = 0^\circ\text{C}$ for MC7915C.

MC7900 Series

MC7918C

ELECTRICAL CHARACTERISTICS ($V_I = -27\text{ V}$, $I_O = 500\text{ mA}$, $0^\circ\text{C} < T_J < +125^\circ\text{C}$, unless otherwise noted.)

| Characteristics | Symbol | Min | Typ | Max | Unit |
|--|----------------------------|-------|-----------|------------|----------------------------|
| Output Voltage ($T_J = +25^\circ\text{C}$) | V_O | -17.3 | -18 | -18.7 | Vdc |
| Line Regulation (Note 6) ($T_J = +25^\circ\text{C}$, $I_O = 100\text{ mA}$) -21 Vdc $\geq V_I \geq -33\text{ Vdc}$ -24 Vdc $\geq V_I \geq -30\text{ Vdc}$ ($T_J = +25^\circ\text{C}$, $I_O = 500\text{ mA}$) -21 Vdc $\geq V_I \geq -33\text{ Vdc}$ -24 Vdc $\geq V_I \geq -30\text{ Vdc}$ | Reg_{line} | - | 25 10 | 180 90 | mV |
| Load Regulation, $T_J = +25^\circ\text{C}$ (Note 6) $5.0\text{ mA} \leq I_O \leq 1.5\text{ A}$ $250\text{ mA} \leq I_O \leq 750\text{ mA}$ | Reg_{load} | - | 110 55 | 360 180 | mV |
| Output Voltage -21 Vdc $\geq V_I \geq -33\text{ Vdc}$, $5.0\text{ mA} \leq I_O \leq 1.0\text{ A}$, $P \leq 15\text{ W}$ | V_O | -17.1 | - | -18.9 | Vdc |
| Input Bias Current ($T_J = +25^\circ\text{C}$) | I_{IB} | - | 4.5 | 8.0 | mA |
| Input Bias Current Change -21 Vdc $\geq V_I \geq -33\text{ Vdc}$ $5.0\text{ mA} \leq I_O \leq 1.5\text{ A}$ | ΔI_{IB} | - | - | 1.0 0.5 | mA |
| Output Noise Voltage ($T_A = +25^\circ\text{C}$, $10\text{ Hz} \leq f \leq 100\text{ kHz}$) | V_n | - | 110 | - | μV |
| Ripple Rejection ($I_O = 20\text{ mA}$, $f = 120\text{ Hz}$) | RR | - | 59 | - | dB |
| Dropout Voltage ($I_O = 1.0\text{ A}$, $T_J = +25^\circ\text{C}$) | $V_I - V_O$ | - | 1.3 | - | Vdc |
| Average Temperature Coefficient of Output Voltage $I_O = 5.0\text{ mA}$, $0^\circ\text{C} \leq T_J \leq +125^\circ\text{C}$ | $\Delta V_O / \Delta T$ | - | -1.0 | - | $\text{mV}/^\circ\text{C}$ |

MC7924B, MC7924C

ELECTRICAL CHARACTERISTICS ($V_I = -33\text{ V}$, $I_O = 500\text{ mA}$, $T_{\text{low}}^* < T_J < +125^\circ\text{C}$, unless otherwise noted.)

| Characteristics | Symbol | Min | Typ | Max | Unit |
|--|----------------------------|-------|-----------|------------|----------------------------|
| Output Voltage ($T_J = +25^\circ\text{C}$) | V_O | -23 | -24 | -25 | Vdc |
| Line Regulation (Note 6) ($T_J = +25^\circ\text{C}$, $I_O = 100\text{ mA}$) -27 Vdc $\geq V_I \geq -38\text{ Vdc}$ -30 Vdc $\geq V_I \geq -36\text{ Vdc}$ ($T_J = +25^\circ\text{C}$, $I_O = 500\text{ mA}$) -27 Vdc $\geq V_I \geq -38\text{ Vdc}$ -30 Vdc $\geq V_I \geq -36\text{ Vdc}$ | Reg_{line} | - | 31 14 | 240 120 | mV |
| Load Regulation, $T_J = +25^\circ\text{C}$ (Note 6) $5.0\text{ mA} \leq I_O \leq 1.5\text{ A}$ $250\text{ mA} \leq I_O \leq 750\text{ mA}$ | Reg_{load} | - | 150 85 | 480 240 | mV |
| Output Voltage -27 Vdc $\geq V_I \geq -38\text{ Vdc}$, $5.0\text{ mA} \leq I_O \leq 1.0\text{ A}$, $P \leq 15\text{ W}$ | V_O | -22.8 | - | -25.2 | Vdc |
| Input Bias Current ($T_J = +25^\circ\text{C}$) | I_{IB} | - | 4.6 | 8.0 | mA |
| Input Bias Current Change -27 Vdc $\geq V_I \geq -38\text{ Vdc}$ $5.0\text{ mA} \leq I_O \leq 1.5\text{ A}$ | ΔI_{IB} | - | - | 1.0 0.5 | mA |
| Output Noise Voltage ($T_A = +25^\circ\text{C}$, $10\text{ Hz} \leq f \leq 100\text{ kHz}$) | V_n | - | 170 | - | μV |
| Ripple Rejection ($I_O = 20\text{ mA}$, $f = 120\text{ Hz}$) | RR | - | 56 | - | dB |
| Dropout Voltage ($I_O = 1.0\text{ A}$, $T_J = +25^\circ\text{C}$) | $V_I - V_O$ | - | 1.3 | - | Vdc |
| Average Temperature Coefficient of Output Voltage $I_O = 5.0\text{ mA}$, $T_{\text{low}}^* \leq T_J \leq +125^\circ\text{C}$ | $\Delta V_O / \Delta T$ | - | -1.0 | - | $\text{mV}/^\circ\text{C}$ |

6. Load and line regulation are specified at constant junction temperature. Changes in V_O due to heating effects must be taken into account separately. Pulse testing with low duty cycle is used.

* $T_{\text{low}} = -40^\circ\text{C}$ for MC7924B and $T_{\text{low}} = 0^\circ\text{C}$ for MC7924C.

MC7900 Series

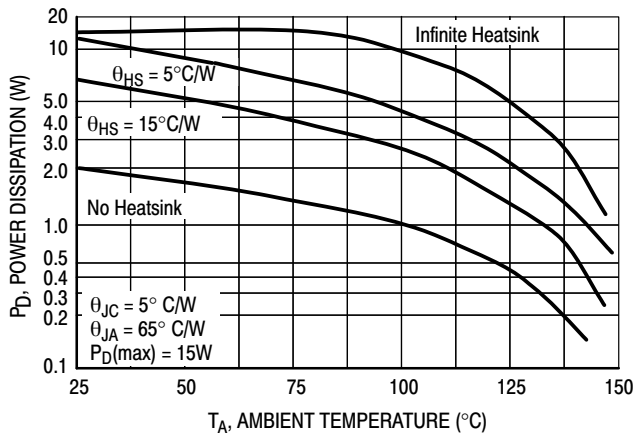


Figure 2. Worst Case Power Dissipation as a Function of Ambient Temperature

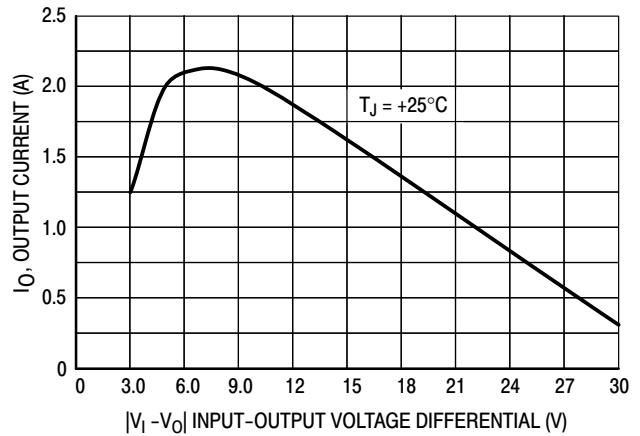


Figure 3. Peak Output Current as a Function of Input-Output Differential Voltage

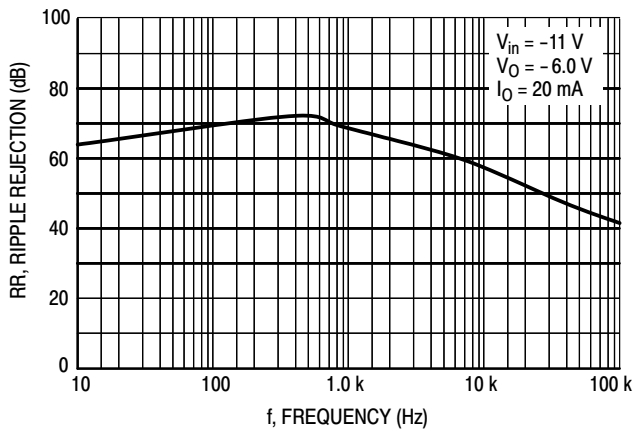


Figure 4. Ripple Rejection as a Function of Frequency

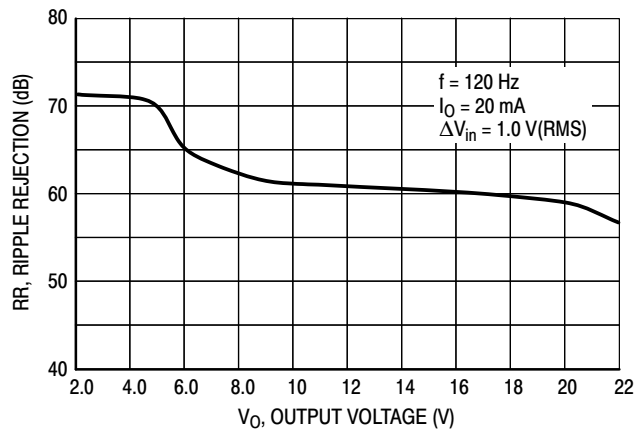


Figure 5. Ripple Rejection as a Function of Output Voltage

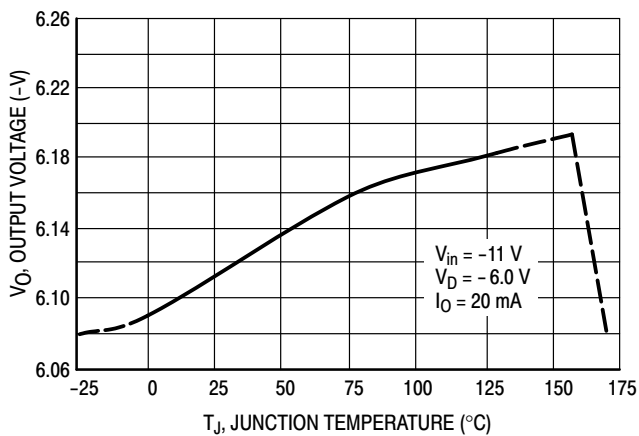


Figure 6. Output Voltage as a Function of Junction Temperature

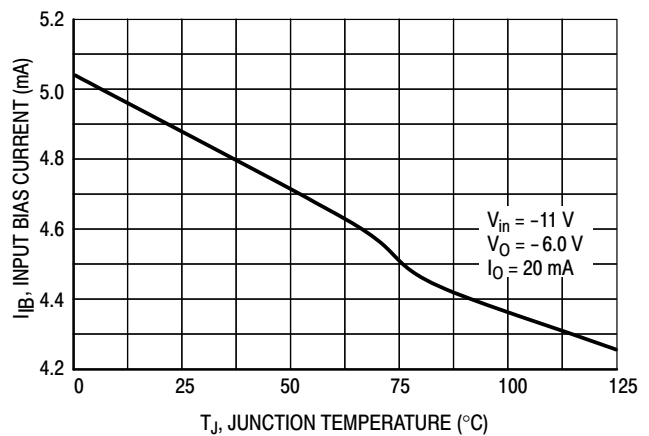


Figure 7. Quiescent Current as a Function of Temperature

APPLICATIONS INFORMATION

Design Considerations

The MC7900 Series of fixed voltage regulators are designed with Thermal overload Protection that shuts down the circuit when subjected to an excessive power overload condition. Internal Short Circuit Protection that limits the maximum current the circuit will pass, and Output Transistor Safe-Area Compensation that reduces the output short circuit current as the voltage across the pass transistor is increased.

In many low current applications, compensation capacitors are not required. However, it is recommended that the regulator input be bypassed with a capacitor if the regulator is connected to the power supply filter with long wire lengths, or if the output load capacitance is large. An input bypass capacitor should be selected to provide good high-frequency characteristics to insure stable operation under all load conditions. A 0.33 μF or larger tantalum, mylar, or other capacitor having low internal impedance at high frequencies should be chosen. The capacitor chosen should have an equivalent series resistance of less than 0.7 Ω. The bypass capacitor should be mounted with the shortest possible leads directly across the regulators input terminals. Normally good construction techniques should be used to minimize ground loops and lead resistance drops since the regulator has no external sense lead. Bypassing the output is also recommended.

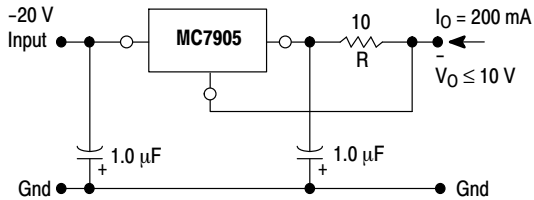
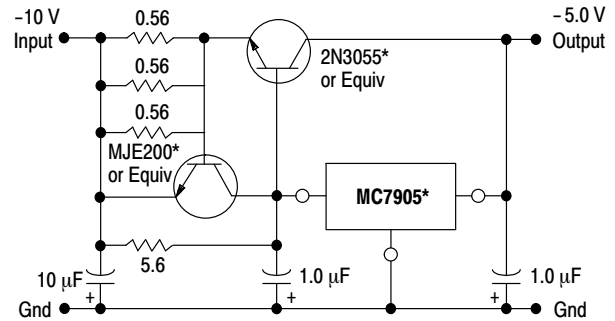


Figure 8. Current Regulator

The MC7905, -5.0 V regulator can be used as a constant current source when connected as above. The output current is the sum of resistor R current and quiescent bias current as follows:

$$I_O = \frac{5.0 \text{ V}}{R} + I_B$$

The quiescent current for this regulator is typically 4.3 mA. The 5.0 V regulator was chosen to minimize dissipation and to allow the output voltage to operate to within 6.0 V below the input voltage.



*Mounted on heatsink.

Figure 9. Current Boost Regulator

(-5.0 V @ 4.0 A, with 5.0 A Current Limiting)

When a boost transistor is used, short circuit currents are equal to the sum of the series pass and regulator limits, which are measured at 3.2 A and 1.8 A respectively in this case. Series pass limiting is approximately equal to 0.6 V/R_{SC}. Operation beyond this point to the peak current capability of the MC7905C is possible if the regulator is mounted on a heatsink; otherwise thermal shutdown will occur when the additional load current is picked up by the regulator.

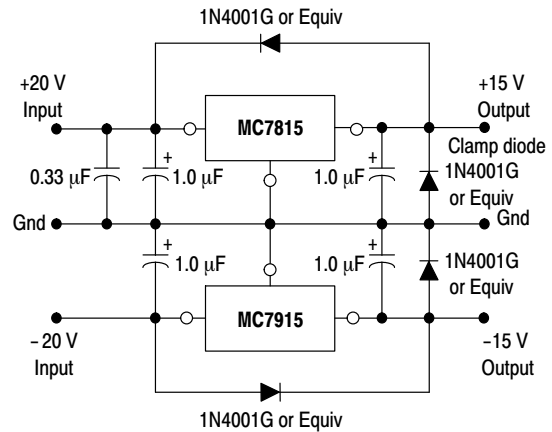


Figure 10. Operational Amplifier Supply

The MC7815 and MC7915 positive and negative regulators may be connected as shown to obtain a dual power supply for operational amplifiers. A clamp diode should be used at the output of the MC7815 to prevent potential latch-up problems whenever the output of the positive regulator (MC7815) is drawn below ground with an output current greater than 200 mA.

MC7900 Series

Protection Diodes

When external capacitors are used with MC7900 series regulator it is sometimes necessary to add protection diodes to prevent the capacitors from discharging through low current points into the regulator or from output polarity reversals. Generally, no protection diode is required for values of output capacitance less than $10\mu\text{F}$. Figure 11 shows the MC7915 with the recommended protection diodes.

- Opposite Polarity Protection

Diode D1 protects the regulator from output polarity reversals during startup, power off and short-circuit operation.

- Reverse-bias Protection

Diode D2 prevents output capacitor from discharging through the MC7915 during an input short circuit or fast switch off of power supply.

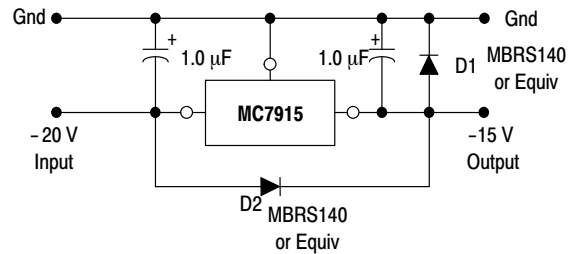


Figure 11. Protection Diodes

DEFINITIONS

Line Regulation – The change in output voltage for a change in the input voltage. The measurement is made under conditions of low dissipation or by using pulse techniques such that the average chip temperature is not significantly affected.

Load Regulation – The change in output voltage for a change in load current at constant chip temperature.

Maximum Power Dissipation – The maximum total device dissipation for which the regulator will operate within specifications.

Input Bias Current – That part of the input current that is not delivered to the load.

Output Noise Voltage – The rms AC voltage at the output, with constant load and no input ripple, measured over a specified frequency range.

Long Term Stability – Output voltage stability under accelerated life test conditions with the maximum rated voltage listed in the devices' electrical characteristics and maximum power dissipation.

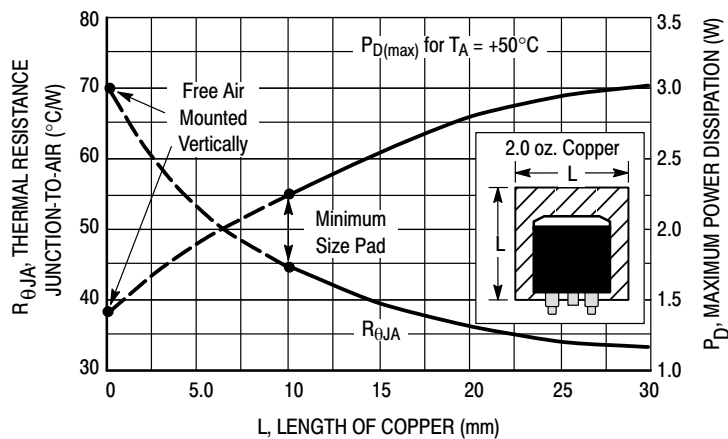


Figure 12. D²PAK Thermal Resistance and Maximum Power Dissipation versus P.C.B. Copper Length

MC7900 Series

ORDERING INFORMATION

| Device | Nominal Output Voltage | Output Voltage Tolerance | Package | Operating Temperature Range | Shipping† |
|----------------|------------------------|--------------------------|------------------------------|----------------------------------|-----------------|
| MC7905ACD2T | -5.0 V | 2% | D ² PAK | T _J = 0°C to +125°C | 50 Units/Rail |
| MC7905ACD2TG | | | D ² PAK (Pb-Free) | | 50 Units/Rail |
| MC7905ACD2TR4 | | | D ² PAK | | 800 Tape & Reel |
| MC7905ACD2TR4G | | | D ² PAK (Pb-Free) | | 800 Tape & Reel |
| MC7905ACT | | | TO-220 | | 50 Units/Rail |
| MC7905ACTG | | | TO-220 (Pb-Free) | | 50 Units/Rail |
| MC7905BD2T | | 4% | D ² PAK | T _J = -40°C to +125°C | 50 Units/Rail |
| MC7905BD2TG | | | D ² PAK (Pb-Free) | | 50 Units/Rail |
| MC7905BD2TR4 | | | D ² PAK | | 800 Tape & Reel |
| MC7905BD2TR4G | | | D ² PAK (Pb-Free) | | 800 Tape & Reel |
| MC7905BT | | | TO-220 | | 50 Units/Rail |
| MC7905BTG | | | TO-220 (Pb-Free) | | 50 Units/Rail |
| MC7905CD2T | | | D ² PAK | T _J = 0°C to +125°C | 50 Units/Rail |
| MC7905CD2TG | | | D ² PAK (Pb-Free) | | 50 Units/Rail |
| MC7905CD2TR4 | | | D ² PAK | | 800 Tape & Reel |
| MC7905CD2TR4G | | | D ² PAK (Pb-Free) | | 800 Tape & Reel |
| MC7905CT | | | TO-220 | | 50 Units/Rail |
| MC7905CTG | | | TO-220 (Pb-Free) | | 50 Units/Rail |
| MC7905.2CT | -5.2 V | 4% | TO-220 | T _J = 0°C to +125°C | 50 Units/Rail |
| MC7905.2CTG | | | TO-220 (Pb-Free) | | 50 Units/Rail |
| MC7906CD2T | -6.0 V | 4% | D ² PAK | T _J = 0°C to +125°C | 50 Units/Rail |
| MC7906CD2TG | | | D ² PAK (Pb-Free) | | 50 Units/Rail |
| MC7906CT | | | TO-220 | | 50 Units/Rail |
| MC7906CTG | | | TO-220 (Pb-Free) | | 50 Units/Rail |
| MC7908ACT | -8.0 V | 2% | TO-220 | T _J = 0°C to +125°C | 50 Units/Rail |
| MC7908ACTG | | | TO-220 (Pb-Free) | | 50 Units/Rail |
| MC7908CD2T | | 4% | D ² PAK | | 50 Units/Rail |
| MC7908CD2TG | | | D ² PAK (Pb-Free) | | 50 Units/Rail |
| MC7908CD2TR4 | | | D ² PAK | | 800 Tape & Reel |
| MC7908CD2TR4G | | | D ² PAK (Pb-Free) | | 800 Tape & Reel |
| MC7908CT | | | TO-220 | | 50 Units/Rail |
| MC7908CTG | | | TO-220 (Pb-Free) | | 50 Units/Rail |

MC7900 Series

| Device | Nominal Output Voltage | Output Voltage Tolerance | Package | Operating Temperature Range | Shipping† | | |
|----------------|------------------------------|--------------------------|------------------------------|--------------------------------|----------------------------------|--------------------------------|---------------|
| MC7912ACD2T | -12 V | 2% | D ² PAK | T _J = 0°C to +125°C | 50 Units/Rail | | |
| MC7912ACD2TG | | | D ² PAK (Pb-Free) | | 50 Units/Rail | | |
| MC7912ACD2TR4 | | | D ² PAK | | 800 Tape & Reel | | |
| MC7912ACD2TR4G | | | D ² PAK (Pb-Free) | | 800 Tape & Reel | | |
| MC7912ACT | | | TO-220 | | 50 Units/Rail | | |
| MC7912ACTG | | | TO-220 (Pb-Free) | | 50 Units/Rail | | |
| MC7912BD2T | | -12 V | 4% | D ² PAK | T _J = -40°C to +125°C | 50 Units/Rail | |
| MC7912BD2TG | | | | D ² PAK (Pb-Free) | | 50 Units/Rail | |
| MC7912BD2TR4 | | | | D ² PAK | | 800 Tape & Reel | |
| MC7912BD2TR4G | | | | D ² PAK (Pb-Free) | | 800 Tape & Reel | |
| MC7912BT | | | | TO-220 | | 50 Units/Rail | |
| MC7912BTG | | | | TO-220 (Pb-Free) | | 50 Units/Rail | |
| MC7912CD2T | | | -12 V | 4% | D ² PAK | T _J = 0°C to +125°C | 50 Units/Rail |
| MC7912CD2TG | | | | | D ² PAK (Pb-Free) | | 50 Units/Rail |
| MC7912CD2TR4 | D ² PAK | | | | 800 Tape & Reel | | |
| MC7912CD2TR4G | D ² PAK (Pb-Free) | | | | 800 Tape & Reel | | |
| MC7912CT | TO-220 | | | | 50 Units/Rail | | |
| MC7912CTG | TO-220 (Pb-Free) | | | | 50 Units/Rail | | |

MC7900 Series

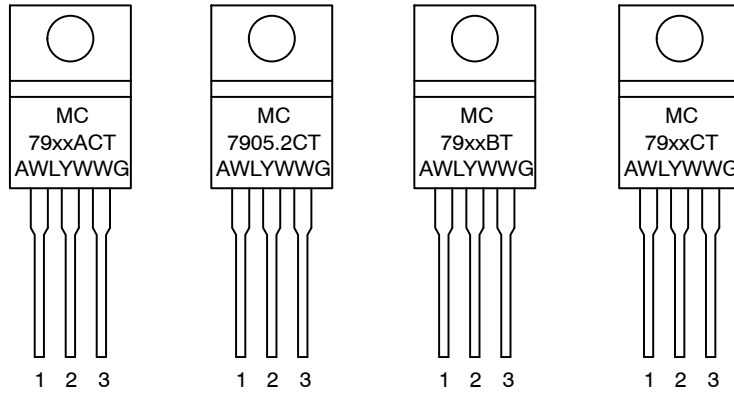
| Device | Nominal Output Voltage | Output Voltage Tolerance | Package | Operating Temperature Range | Shipping† | | | | |
|---------------|------------------------|------------------------------|------------------------------|----------------------------------|----------------------------------|--------------------------------|--------------------------------|--------------------------------|-----------------|
| MC7915ACD2T | - 15 V | 2% | D ² PAK | T _J = 0°C to +125°C | 50 Units/Rail | | | | |
| MC7915ACD2TG | | | D ² PAK (Pb-Free) | | 50 Units/Rail | | | | |
| MC7915ACT | | | TO-220 | | 50 Units/Rail | | | | |
| MC7915ACTG | | | TO-220 (Pb-Free) | | 50 Units/Rail | | | | |
| MC7915BD2T | | 4% | 4% | D ² PAK | T _J = -40°C to +125°C | 50 Units/Rail | | | |
| MC7915BD2TG | | | | D ² PAK (Pb-Free) | | 50 Units/Rail | | | |
| MC7915BT | | | | TO-220 | | 50 Units/Rail | | | |
| MC7915BTG | | | | TO-220 (Pb-Free) | | 50 Units/Rail | | | |
| MC7915BD2TR4G | | | | D ² PAK (Pb-Free) | | 800 Tape & Reel | | | |
| MC7915CD2T | | | | 2% | | 4% | D ² PAK | T _J = 0°C to +125°C | 50 Units/Rail |
| MC7915CD2TG | | | | | | | D ² PAK (Pb-Free) | | 50 Units/Rail |
| MC7915CD2TR4 | | | | | | | D ² PAK | | 800 Tape & Reel |
| MC7915CD2TR4G | | D ² PAK (Pb-Free) | 800 Tape & Reel | | | | | | |
| MC7915CT | | TO-220 | 50 Units/Rail | | | | | | |
| MC7915CTG | | TO-220 (Pb-Free) | 50 Units/Rail | | | | | | |
| MC7918CT | | - 18 V | 4% | | TO-220 | | T _J = 0°C to +125°C | | 50 Units/Rail |
| MC7918CTG | TO-220 (Pb-Free) | | | | 50 Units/Rail | | | | |
| MC7924BT | - 24 V | 4% | TO-220 | T _J = -40°C to +125°C | 50 Units/Rail | | | | |
| MC7924BTG | | | TO-220 (Pb-Free) | | 50 Units/Rail | | | | |
| MC7924CD2T | | | 2% | 4% | D ² PAK | T _J = 0°C to +125°C | 50 Units/Rail | | |
| MC7924CD2TG | | | | | D ² PAK (Pb-Free) | | 50 Units/Rail | | |
| MC7924CT | | | | | TO-220 | | 50 Units/Rail | | |
| MC7924CTG | | | | | TO-220 (Pb-Free) | | 50 Units/Rail | | |

†For information on tape and reel specifications, including part orientation and tape sizes, please refer to our Tape and Reel Packaging Specifications Brochure, BRD8011/D.

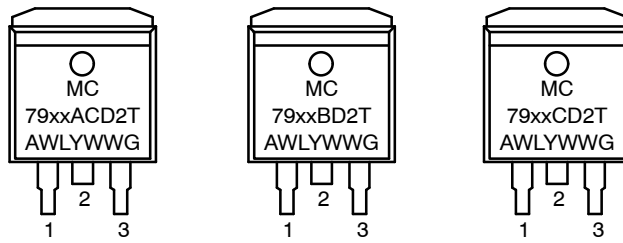
MC7900 Series

MARKING DIAGRAMS

TO-220 T SUFFIX CASE 221AB



D²PAK D2T SUFFIX CASE 936

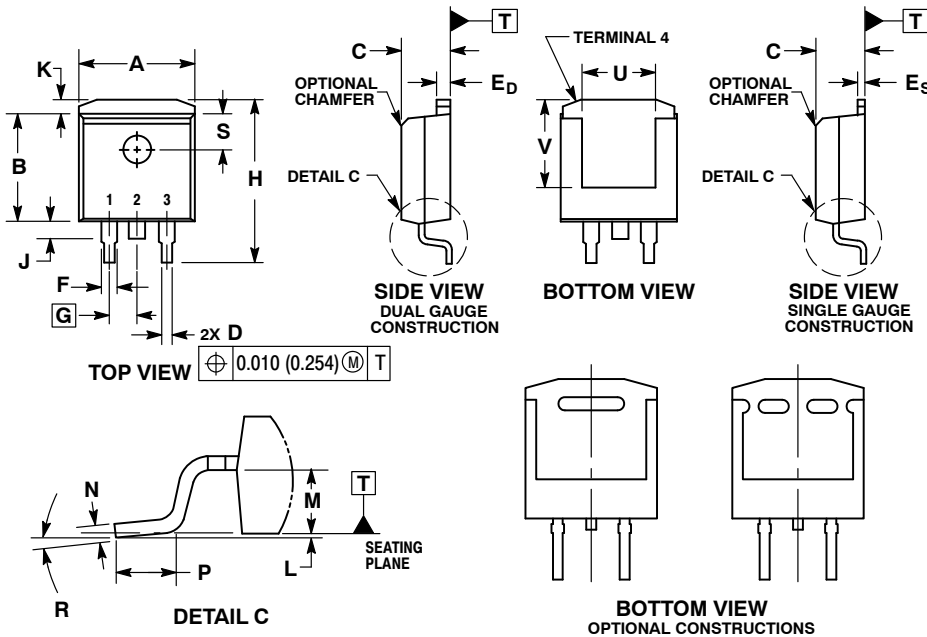


xx = Nominal Voltage
A = Assembly Location
WL = Wafer Lot
Y = Year
WW = Work Week
G = Pb-Free Device

MC7900 Series

PACKAGE DIMENSIONS

D²PAK
D2T SUFFIX
 CASE 936-03
 ISSUE D

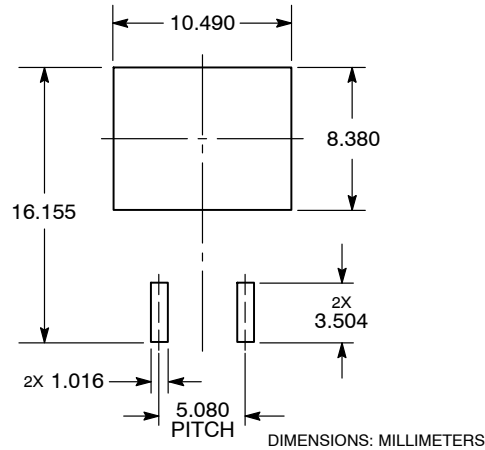


NOTES:

1. DIMENSIONING AND TOLERANCING PER ANSI Y14.5M, 1982.
2. CONTROLLING DIMENSION: INCHES.
3. TAB CONTOUR OPTIONAL WITHIN DIMENSIONS A AND K.
4. DIMENSIONS U AND V ESTABLISH A MINIMUM MOUNTING SURFACE FOR TERMINAL 4.
5. DIMENSIONS A AND B DO NOT INCLUDE MOLD FLASH OR GATE PROTRUSIONS. MOLD FLASH AND GATE PROTRUSIONS NOT TO EXCEED 0.025 (0.635) MAXIMUM.
6. SINGLE GAUGE DESIGN WILL BE SHIPPED AFTER FPCN EXPIRATION IN OCTOBER 2011.

| DIM | INCHES | | MILLIMETERS | |
|----------------|-----------|-------|-------------|--------|
| | MIN | MAX | MIN | MAX |
| A | 0.386 | 0.403 | 9.804 | 10.236 |
| B | 0.356 | 0.368 | 9.042 | 9.347 |
| C | 0.170 | 0.180 | 4.318 | 4.572 |
| D | 0.026 | 0.036 | 0.660 | 0.914 |
| E _D | 0.045 | 0.055 | 1.143 | 1.397 |
| E _S | 0.018 | 0.026 | 0.457 | 0.660 |
| F | 0.051 REF | | 1.295 REF | |
| G | 0.100 BSC | | 2.540 BSC | |
| H | 0.539 | 0.579 | 13.691 | 14.707 |
| J | 0.125 MAX | | 3.175 MAX | |
| K | 0.050 REF | | 1.270 REF | |
| L | 0.000 | 0.010 | 0.000 | 0.254 |
| M | 0.088 | 0.102 | 2.235 | 2.591 |
| N | 0.018 | 0.026 | 0.457 | 0.660 |
| P | 0.058 | 0.078 | 1.473 | 1.981 |
| R | 5° REF | | 5° REF | |
| S | 0.116 REF | | 2.946 REF | |
| U | 0.200 MIN | | 5.080 MIN | |
| V | 0.250 MIN | | 6.350 MIN | |

SOLDERING FOOTPRINT*

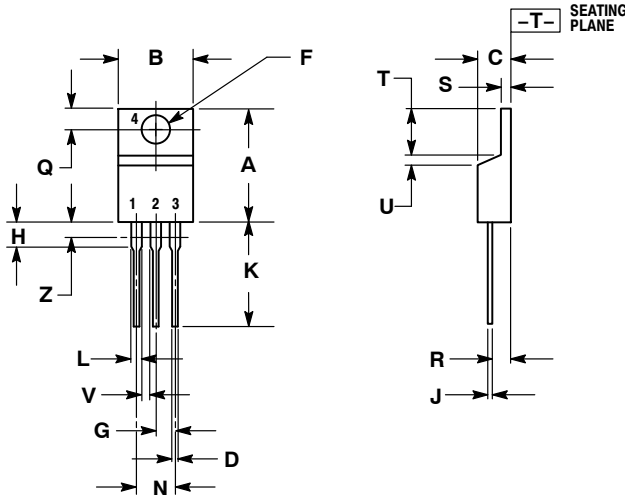


*For additional information on our Pb-Free strategy and soldering details, please download the ON Semiconductor Soldering and Mounting Techniques Reference Manual, SOLDERRM/D.

MC7900 Series

PACKAGE DIMENSIONS

TO-220, SINGLE GAUGE T SUFFIX CASE 221AB ISSUE A



NOTES:

1. DIMENSIONING AND TOLERANCING PER ANSI Y14.5M, 1982.
2. CONTROLLING DIMENSION: INCHES.
3. DIMENSION Z DEFINES A ZONE WHERE ALL BODY AND LEAD IRREGULARITIES ARE ALLOWED.
4. PRODUCT SHIPPED PRIOR TO 2008 HAD DIMENSIONS
S = 0.045 - 0.055 INCHES (1.143 - 1.397 MM)

| DIM | INCHES | | MILLIMETERS | |
|-----|--------|-------|-------------|-------|
| | MIN | MAX | MIN | MAX |
| A | 0.570 | 0.620 | 14.48 | 15.75 |
| B | 0.380 | 0.405 | 9.66 | 10.28 |
| C | 0.160 | 0.190 | 4.07 | 4.82 |
| D | 0.025 | 0.035 | 0.64 | 0.88 |
| F | 0.142 | 0.147 | 3.61 | 3.73 |
| G | 0.095 | 0.105 | 2.42 | 2.66 |
| H | 0.110 | 0.155 | 2.80 | 3.93 |
| J | 0.018 | 0.025 | 0.46 | 0.64 |
| K | 0.500 | 0.562 | 12.70 | 14.27 |
| L | 0.045 | 0.060 | 1.15 | 1.52 |
| N | 0.190 | 0.210 | 4.83 | 5.33 |
| Q | 0.100 | 0.120 | 2.54 | 3.04 |
| R | 0.080 | 0.110 | 2.04 | 2.79 |
| S | 0.020 | 0.024 | 0.508 | 0.61 |
| T | 0.235 | 0.255 | 5.97 | 6.47 |
| U | 0.000 | 0.050 | 0.00 | 1.27 |
| V | 0.045 | --- | 1.15 | --- |
| Z | --- | 0.080 | --- | 2.04 |

ON Semiconductor and **ON** are registered trademarks of Semiconductor Components Industries, LLC (SCILLC). SCILLC owns the rights to a number of patents, trademarks, copyrights, trade secrets, and other intellectual property. A listing of SCILLC's product/patent coverage may be accessed at www.onsemi.com/site/pdf/Patent-Marking.pdf. SCILLC reserves the right to make changes without further notice to any products herein. SCILLC makes no warranty, representation or guarantee regarding the suitability of its products for any particular purpose, nor does SCILLC assume any liability arising out of the application or use of any product or circuit, and specifically disclaims any and all liability, including without limitation special, consequential or incidental damages. "Typical" parameters which may be provided in SCILLC data sheets and/or specifications can and do vary in different applications and actual performance may vary over time. All operating parameters, including "Typicals" must be validated for each customer application by customer's technical experts. SCILLC does not convey any license under its patent rights nor the rights of others. SCILLC products are not designed, intended, or authorized for use as components in systems intended for surgical implant into the body, or other applications intended to support or sustain life, or for any other application in which the failure of the SCILLC product could create a situation where personal injury or death may occur. Should Buyer purchase or use SCILLC products for any such unintended or unauthorized application, Buyer shall indemnify and hold SCILLC and its officers, employees, subsidiaries, affiliates, and distributors harmless against all claims, costs, damages, and expenses, and reasonable attorney fees arising out of, directly or indirectly, any claim of personal injury or death associated with such unintended or unauthorized use, even if such claim alleges that SCILLC was negligent regarding the design or manufacture of the part. SCILLC is an Equal Opportunity/Affirmative Action Employer. This literature is subject to all applicable copyright laws and is not for resale in any manner.

PUBLICATION ORDERING INFORMATION

LITERATURE FULFILLMENT:
Literature Distribution Center for ON Semiconductor
P.O. Box 5163, Denver, Colorado 80217 USA
Phone: 303-675-2175 or 800-344-3860 Toll Free USA/Canada
Fax: 303-675-2176 or 800-344-3867 Toll Free USA/Canada
Email: orderlit@onsemi.com

N. American Technical Support: 800-282-9855 Toll Free
USA/Canada
Europe, Middle East and Africa Technical Support:
Phone: 421 33 790 2910
Japan Customer Focus Center
Phone: 81-3-5817-1050

ON Semiconductor Website: www.onsemi.com
Order Literature: <http://www.onsemi.com/orderlit>

For additional information, please contact your local Sales Representative