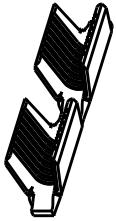
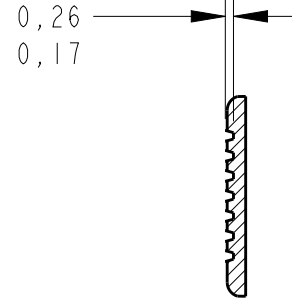
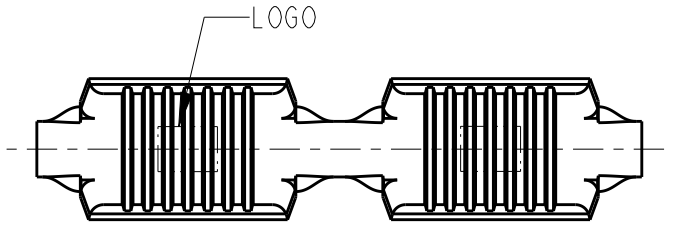


REVISIONS

P	LTR	DESCRIPTION	DATE	DWN	APVD
	T4	REDRAWN AND REV. BY ECO16-005110	12JULY2016	HC	WLS
	T5	REVISED BY ECO 16-010925	25JULY2016	HC	WLS

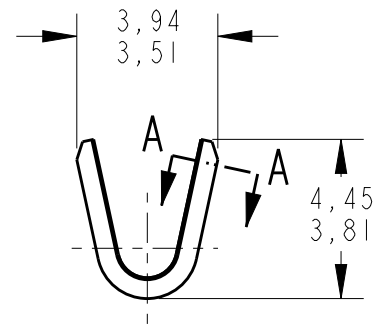
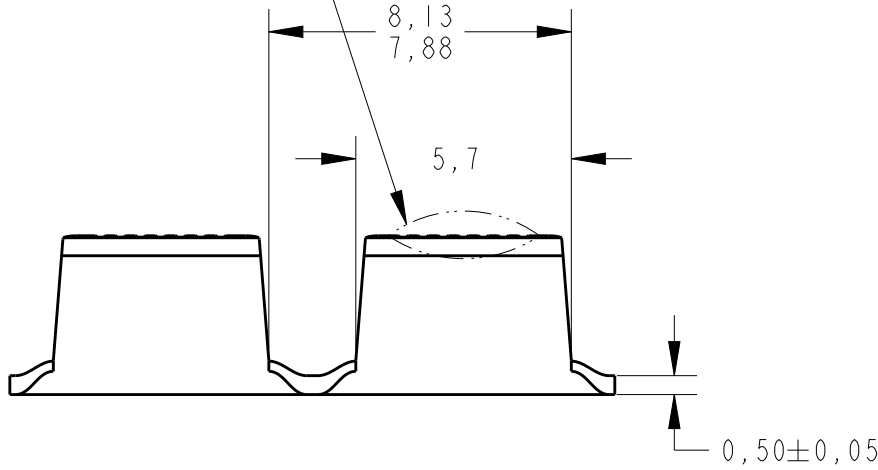


SCALE 2:1



SECTION A-A

SMALL DISTORTION PERMITTED



1 - NOT FOR USE WITH ALUMINUM MAGNET WIRE, USE WITH COPPER MAGNET WIRE ONLY.

2 - PACKAGING 20.000 PCS/REEL WITH PAPER INTERLEAVE - 3 REELS/BOX.

WIRE RANGE
1500-5000 CMA


—	BRASS	1-280002-1	2	1
TIN PLATED	BRASS	280002-2		
—	BRASS	280002-1	1	
FINISH	MATERIAL	PART NUMBER		

RELEASED FOR PUBLICATION

ALL RIGHTS RESERVED.

THIS DRAWING IS UNPUBLISHED.

© COPYRIGHT copyright_dBTe

DIMENSIONS: mm	DWN H.C. CANTERI 21 JAN 2015	MATERIAL	FINISH		
TOLERANCES UNLESS OTHERWISE SPECIFIED:	CHK W.L. STEFANI 21 JAN 2015	 TE Connectivity			
0 PLC ±-	APVD -				NAME
1 PLC ±0,4	PRODUCT SPEC -	SIZE	CAGE CODE	DRAWING NO	RESTRICTED TO
2 PLC ±-	APPLICATION SPEC -	A 4		C-280002	-
3 PLC ±-	WEIGHT -	CUSTOMER DRAWING		SCALE	SHEET
4 PLC ±-				5:1	1 OF 1
ANGLES ±-					REV T5