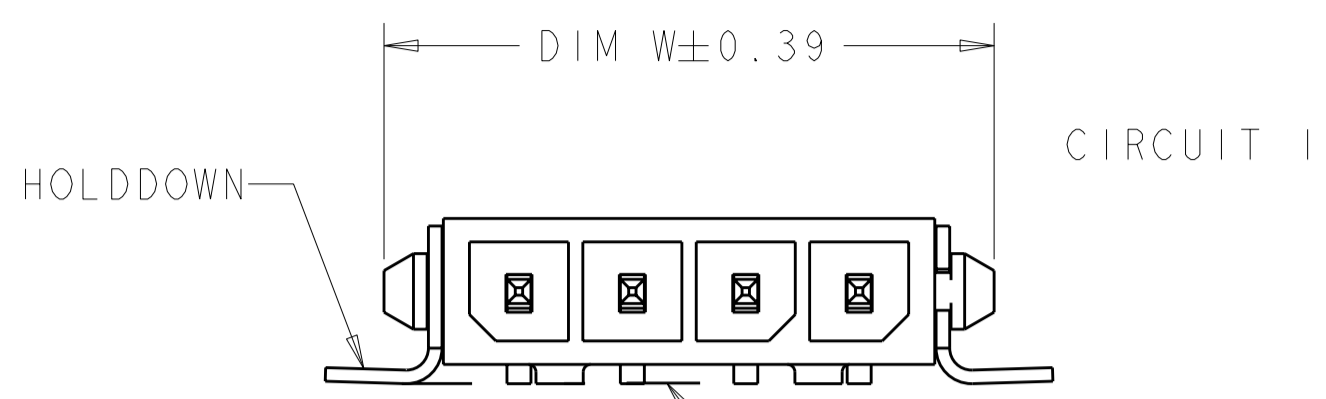
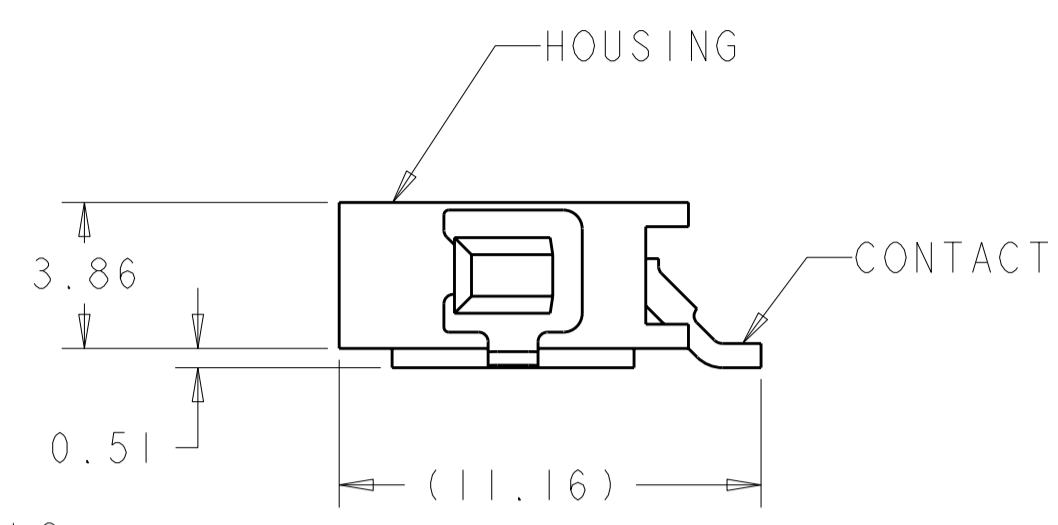


THIS DRAWING IS UNPUBLISHED. RELEASED FOR PUBLICATION 20
 © COPYRIGHT 20 BY - ALL RIGHTS RESERVED.

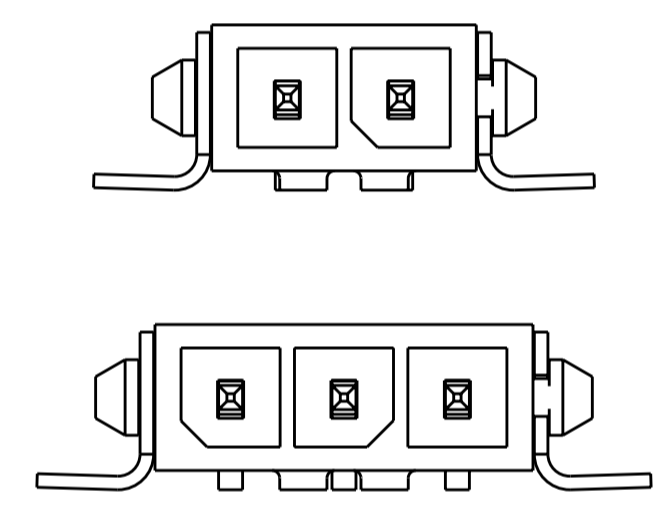
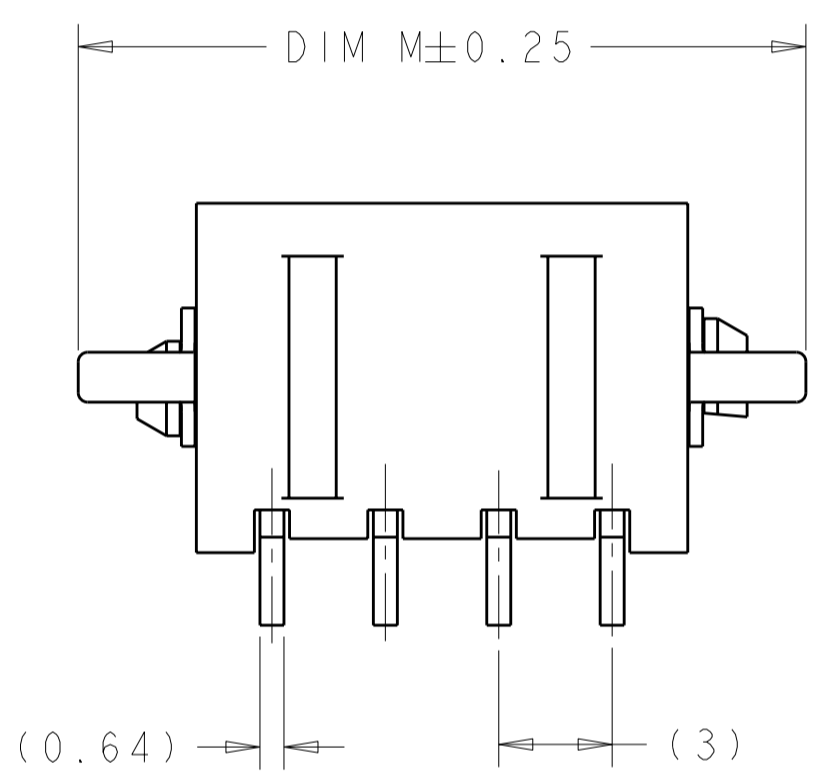
REVISIONS					
P	LTR	DESCRIPTION	DATE	DWN	APVD
	BI	REVISED PER ECO-11-005027	14MAR2011	RK	HMR



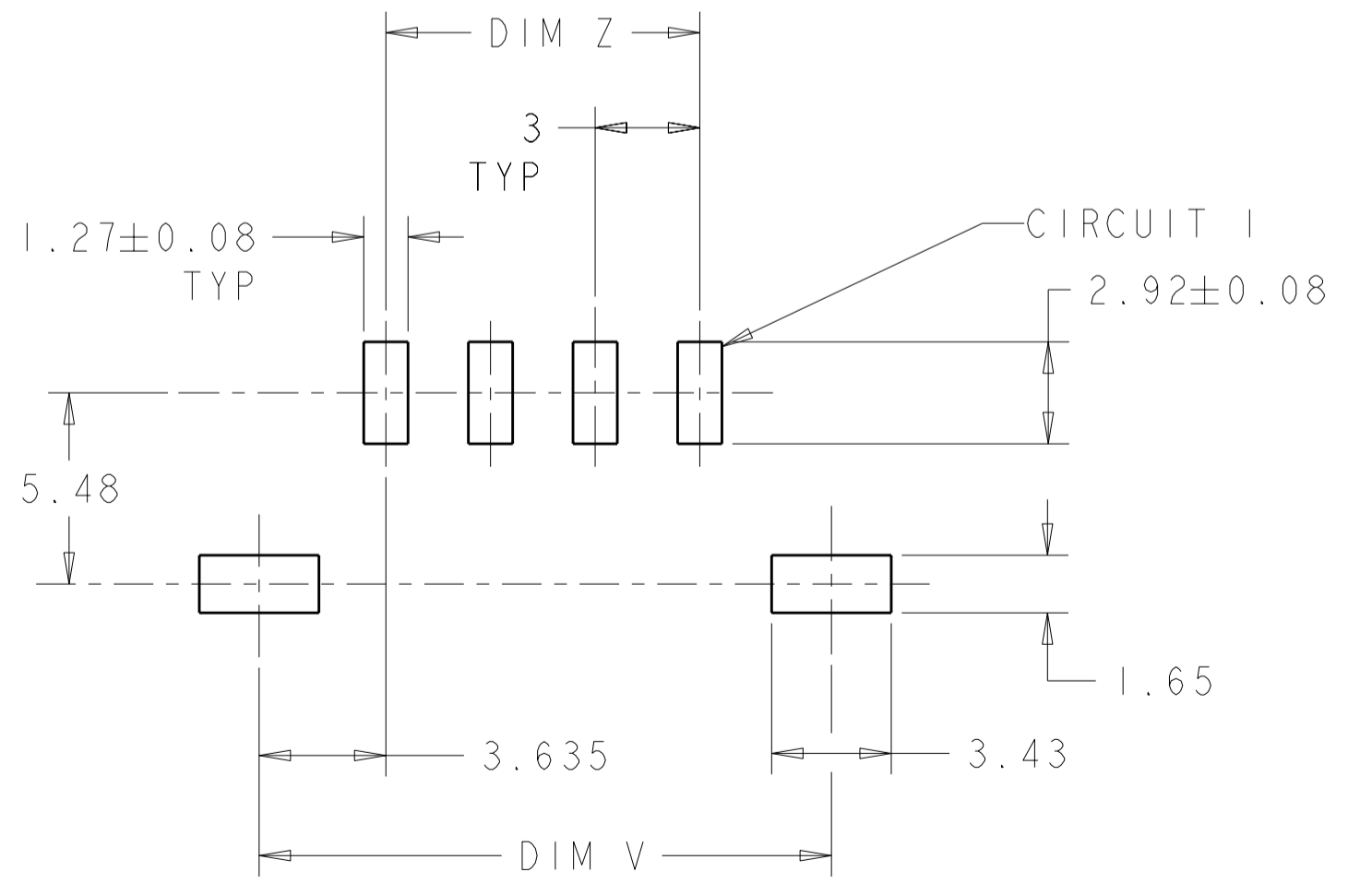
0.15
 INCLUDES CONTACT TAILS,
 HOUSING STANDOFFS, AND
 BOARDLOCKS



- 1 MATERIAL: CONTACTS - BRASS
 HOUSING - UL 94V-0 RATED HIGH TEMP NYLON,
 COLOR NATURAL.
 HOLDDOWNS - PHOSPHOR BRONZE.
- 2 PLATING: CONTACTS - 2.54µm MINIMUM TIN OVER 1.27µm MINIMUM NICKEL.
 HOLDDOWNS - 2.54µm MINIMUM TIN OVER 1.27µm MINIMUM NICKEL.
- 3 RECOMMENDED PC BOARD THICKNESS OF 1.57.



KEYING BY POSITION SIZE



PCB LAYOUT COMPONENT SIDE 3

19.25	9	16	16.41	4	2029104-4
16.25	6	13	13.41	3	2029104-3
13.25	3	10	10.41	2	2029104-2
DIM M	DIM Z	DIM W	DIM V	NO. OF POSN	PART NUMBER



THIS DRAWING IS A CONTROLLED DOCUMENT.

DIMENSIONS:	TOLERANCES UNLESS OTHERWISE SPECIFIED:	DWN	24MAR2008	TE Connectivity
mm	0 PLC ±	CHK	24MAR2008	
	1 PLC ±	APVD	24MAR2008	
	2 PLC ±0.13	NAME		
	3 PLC ±	PRODUCT SPEC		RT ANG SURF MNT HDR ASSY, SGL LATCH, TIN POSTS, SURF MOUNT HOLDDOWNS, SINGLE ROW, MICRO MATE-N-LOK(TM)
	4 PLC ±	APPLICATION SPEC		SIZE
	ANGLES ±	WEIGHT		CAGE CODE
	FINISH ±	CUSTOMER DRAWING		DRAWING NO
				RESTRICTED TO

SCALE 5:1 SHEET 1 OF 1 REV BI