

THIS INFORMATION IS CONFIDENTIAL AND PROPRIETARY TO CW INDUSTRIES INCORPORATED AND ITS AFFILIATES. IT MAY NOT BE DISCLOSED TO ANYONE OTHER THAN CW INDUSTRIES PERSONNEL, WITHOUT WRITTEN AUTHORIZATION FROM CW INDUSTRIES INCORPORATED, SOUTHAMPTON, PENNSYLVANIA USA.

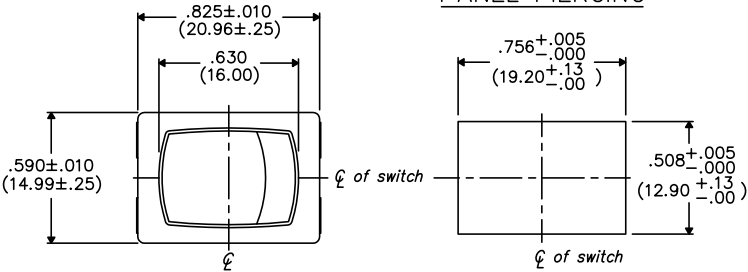
E

D

C

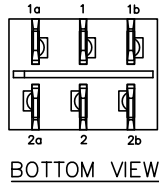
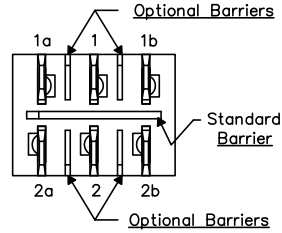
B

A

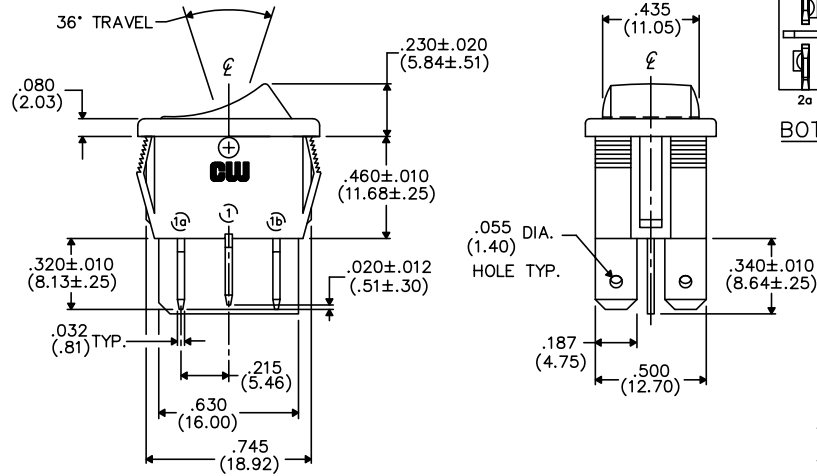


**PANEL PIERCING**

**OPTIONAL INSULATING BARRIERS**



**BOTTOM VIEW**

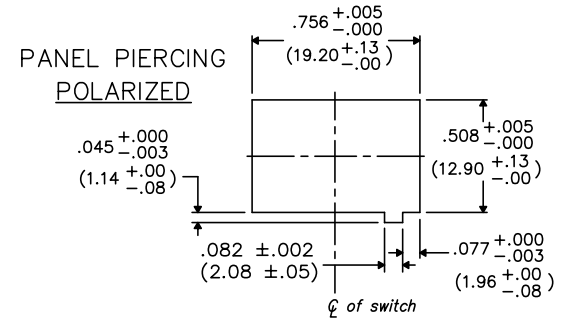


DIMENSIONS IN INCHES (MILLIMETERS)  
DO NOT SCALE DRAWING .....

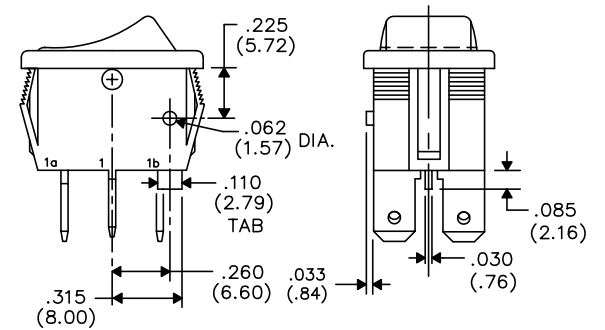
Dwg. No.  
**GRS-4022-XXXX**

**MOUNTING PANEL THICKNESS**

Standard-.050" (1.27mm) to .150" (3.81mm).  
Optional Mounting Claws for Custom Panel thickness are available.



**PANEL PIERCING POLARIZED**



**TAB AND POLARIZATION OPTIONS**

**TERMINAL OPTIONS:**

- .187" (4.75mm) x .032" (.81mm) Solderless
- .110" (2.79mm) x .032" (.81mm) Solderless
- .187" (4.75mm) x .020" (.51mm) Solderless
- .110" (2.79mm) wide with .048" (1.22mm) x .237" (6.02mm) Slot for Soldering

1 2 3 4 5 6 7 8 9 10

B-FORMAT 2002

REVISIONS

**CW INDUSTRIES**  
Southampton, Pa. 18966

Title: **ROCKER SWITCH ASSEMBLY D.P./D.T.**

**TOLERANCES UNLESS OTHERWISE SPECIFIED**  
2 Place Decimal ±.010 METRIC  
3 Place Decimal ±.005 1 Place Dec. ±.25mm  
Angles ..... ±1' 2 Place Dec. ±.13mm

Made for: **CW IND.**  
Drawn by: **DGW 10-28-2010**  
Checked by:  
Approval:

Division: **SWITCH**  
Dwg. No. **GRS-4022-XXXX**