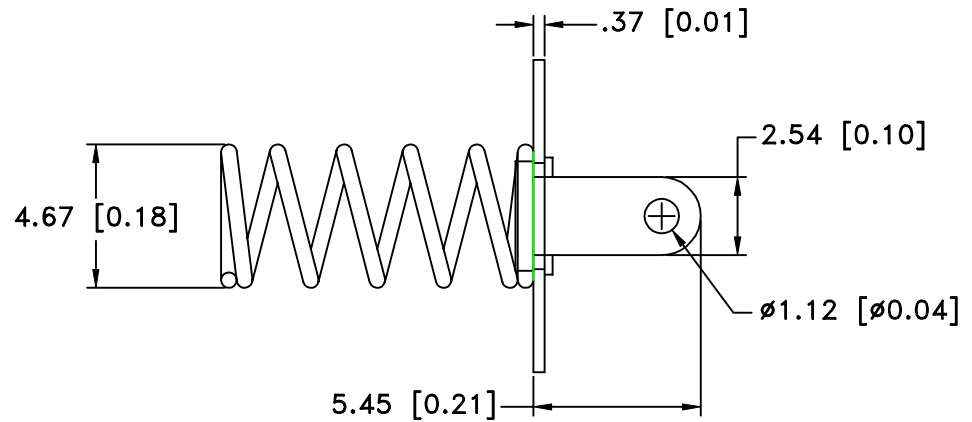
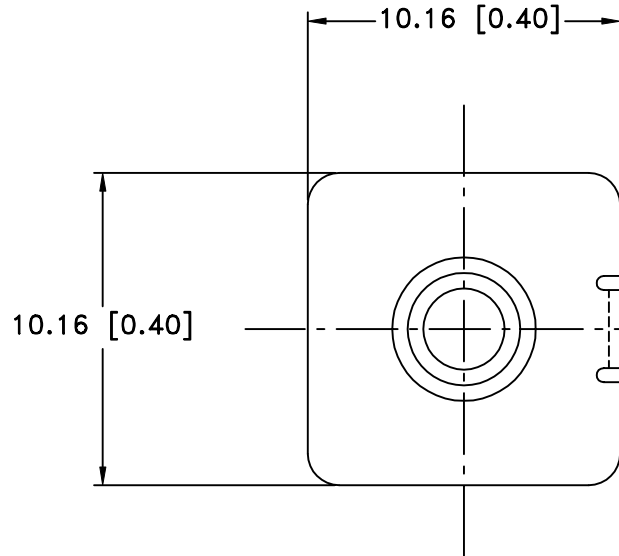



| Date | SYM | REVISION RECORD | AUTH | DR. | CK. |
|------|-----|-----------------|------|-----|-----|
| | | | | | |
| | | | | | |
| | | | | | |
| | | | | | |
| | | | | | |



NOTES:

1. BASE: HARD DRAWN STEEL, 0.3mm (0.012") THICK. NICKLE PLTD. OVER COPPER FLASH COATING.
2. SPRING: STEEL A227, 0.51mm (0.02") THICK. NICKLE PLTD.

| | | | |
|--------------------------------|-----------------------------------------------------------------------------------------------------------------------------------------------------------------------------------|----------------------------|-----------------------------------|
| Tolerance (Except as noted) |  Memory Protection Devices, Inc 200 Broad Hollow Road, Farmingdale, New York 11735 | | |
| decimal ±.5 (.020) | | Scale | Drawn By B.S. Approved By T.B. |
| Fractional ± .8 (.030) | Title "AAA" BATTERY NEGATIVE CONTACT | | |
| Angular ± 3° | Date 04/10/01 | Drawing Number SNT7-05A | |