

CF-LA

High In-Rush Rocker Switches

Simple Dustproof

FUJISOKU SWITCHES



UL

C-US UL

ENEC

RoHS Compliant

Approvals

C-US UL, UL: E43275
ENEC: 1312466

Features

1. High in-rush rocker switch
2. Rush Solder Terminals
3. Five types of terminal (Tab, PC Straight, R/A and L/A)
4. Simple dustproof structure (IP40 rating)
5. C-US UL, UL (TV-8) and ENEC approved products.

Specifications

| | | |
|-------------------------------|-------------------|---|
| Rating | Max. | 16A125V AC or 16A250V AC (Resistive load) |
| | Min. | AC/DC5V 10mA |
| Initial contact resistance | 20mΩ max. | |
| Initial Dielectric strength | 1500V AC 1minute. | |
| Initial insulation resistance | 100MΩ min. | |
| Operating force | 1~8N | |
| Electrical life | 20,000 cycles | |
| Operating temperature range | -25~+85°C | |
| Storage temperature range | -40~+85°C | |

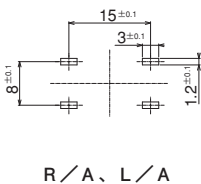
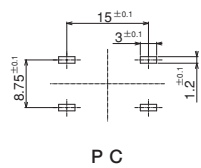
Part Numbering

CF-LA — **2** **K** **Z2** — **1** **C**

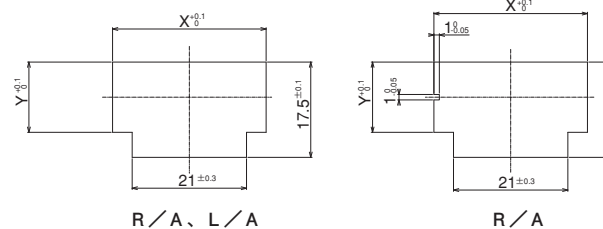
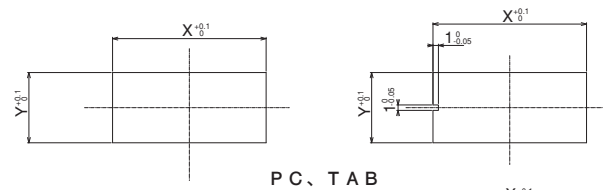
Series code Number of poles Switching function Terminal style Roker design Packaging spec

| Fig. | Number of poles | Code | Switching function | Code | Terminal style | Fig. | Roker design | Fig. | Roker design | Code | Packaging spec |
|------|-----------------|------|--------------------|------|------------------|------|--------------|------|--------------|-------|-----------------|
| 1 | 1 pole | A | ON — OFF | C | PC Straight | 1 | Unfigured | 4 | — ⊖ | Blank | Plastic bags |
| 2 | 2 poles | K | ON — OFF | C4 | PC-R/A | 2 | ● | 5 | — ○ | C | Card board Tray |
| | | | | C5 | PC-L/A | 3 | ○ | 6 | ON OFF | | |
| | | | | L | Solder Terminals | | | | | | |
| | | | | Z2 | TAB:#250 | | | | | | |

PC Hole Layouts



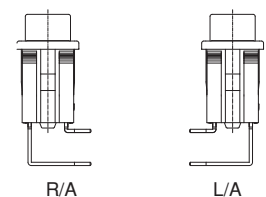
Panel Cut-Out Dimensions



| Panel thickness | X | Y |
|-----------------|------|------|
| 0.75~1.25 | 28.2 | 12.9 |
| 1.25以上~2 | 28.4 | 12.9 |
| 2~3 | 28.8 | 12.9 |

Terminal Styles

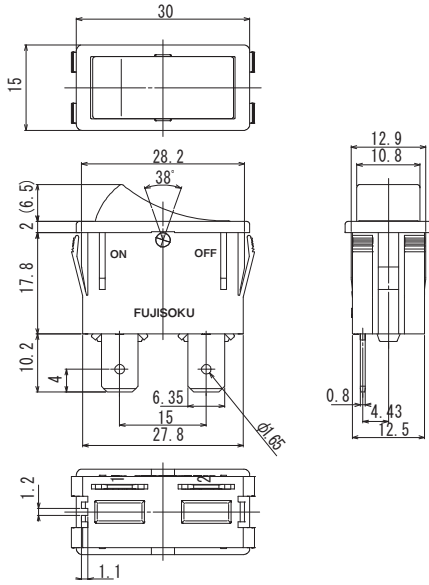
| Solder Terminals (Style:L) | TAB#250 (Style:Z2) | PC Straight (Style:C) | R/A (Style:C4) L/A (Style:C5) |
|----------------------------|--------------------|-----------------------|-------------------------------|
| | | | |



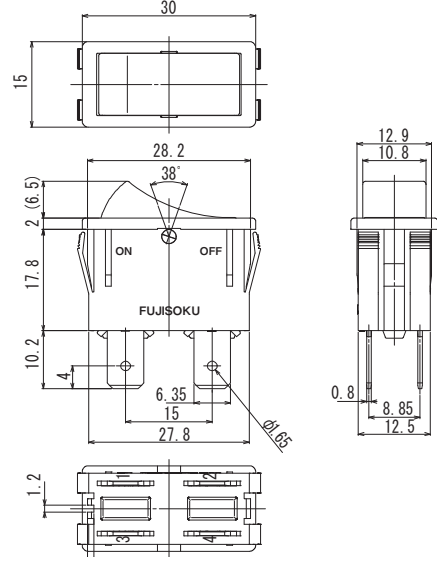
※ For the L/A terminal, only two poles are available.

Outline dimensions

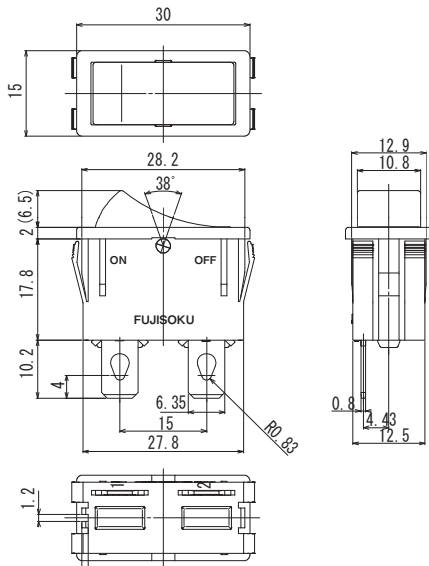
● Tab:#250 1Pole



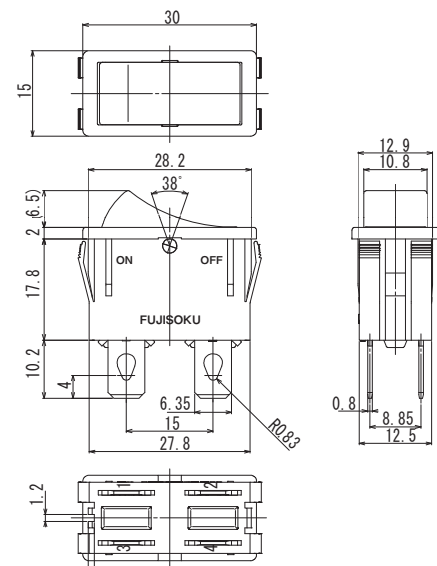
● Tab:#250 2Poles



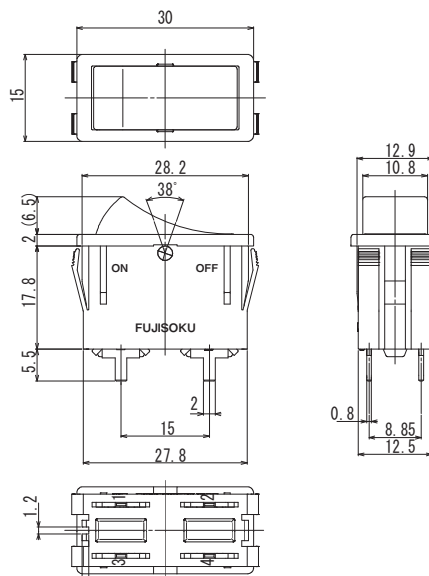
● Solder 1Pole



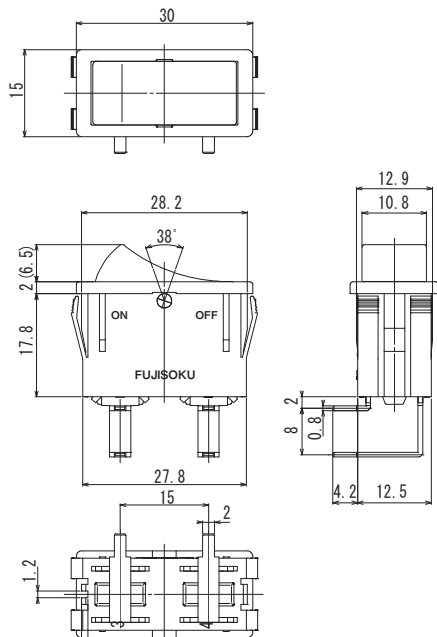
● Solder 2Poles



● P/C 1and2Poles



● PC-R/A 2Poles



List part numbers

| Number of poles | Switching function | Terminal style | Rocker design | | | Pieces in package | Packaging spec | | |
|-----------------|--------------------|------------------|---------------|---------------|---------------|-------------------|-----------------|------------|--------------|
| | | | No marking | ● | ○ | | | | |
| 1 Pole | ON-OFF | PC Straight | CF-LA-1AC-1C | CF-LA-1AC-2C | CF-LA-1AC-3C | 100pcs./pack | Card board Tray | | |
| | | PC-R/A | CF-LA-1AC4-1C | CF-LA-1AC4-2C | CF-LA-1AC4-3C | | | | |
| | | Solder Terminals | CF-LA-1AL-1C | CF-LA-1AL-2C | CF-LA-1AL-3C | | | | |
| | | Tab:#250 | CF-LA-1AZ2-1C | CF-LA-1AZ2-2C | CF-LA-1AZ2-3C | | | | |
| 2 Poles | ON-OFF | PC Straight | CF-LA-2KC-1C | CF-LA-2KC-2C | CF-LA-2KC-3C | | | 5pcs./pack | Plastic bags |
| | | PC-R/A | CF-LA-2KC4-1C | CF-LA-2KC4-2C | CF-LA-2KC4-3C | | | | |
| | | PC-L/A | CF-LA-2KC5-1C | CF-LA-2KC5-2C | CF-LA-2KC5-3C | | | | |
| | | Solder Terminals | CF-LA-2KL-1C | CF-LA-2KL-2C | CF-LA-2KL-3C | | | | |
| 1 Pole | ON-OFF | PC Straight | CF-LA-1AC-1 | CF-LA-1AC-2 | CF-LA-1AC-3 | 5pcs./pack | Plastic bags | | |
| | | PC-R/A | CF-LA-1AC4-1 | CF-LA-1AC4-2 | CF-LA-1AC4-3 | | | | |
| | | Solder Terminals | CF-LA-1AL-1 | CF-LA-1AL-2 | CF-LA-1AL-3 | | | | |
| | | Tab:#250 | CF-LA-1AZ2-1 | CF-LA-1AZ2-2 | CF-LA-1AZ2-3 | | | | |
| 2 Poles | ON-OFF | PC Straight | CF-LA-2KC-1 | CF-LA-2KC-2 | CF-LA-2KC-3 | | | 5pcs./pack | Plastic bags |
| | | PC-R/A | CF-LA-2KC4-1 | CF-LA-2KC4-2 | CF-LA-2KC4-3 | | | | |
| | | PC-L/A | CF-LA-2KC5-1 | CF-LA-2KC5-2 | CF-LA-2KC5-3 | | | | |
| | | Solder Terminals | CF-LA-2KL-1 | CF-LA-2KL-2 | CF-LA-2KL-3 | | | | |
| | | Tab:#250 | CF-LA-2KZ2-1 | CF-LA-2KZ2-2 | CF-LA-2KZ2-3 | | | | |

| Number of poles | Switching function | Terminal style | Rocker design | | | Pieces in package | Packaging spec | | |
|-----------------|--------------------|------------------|---------------|---------------|---------------|-------------------|-----------------|------------|--------------|
| | | | — ⊖ | — ○ | ON OFF | | | | |
| 1 Pole | ON-OFF | PC Straight | CF-LA-1AC-4C | CF-LA-1AC-5C | CF-LA-1AC-6C | 100pcs./pack | Card board Tray | | |
| | | PC-R/A | CF-LA-1AC4-4C | CF-LA-1AC4-5C | CF-LA-1AC4-6C | | | | |
| | | Solder Terminals | CF-LA-1AL-4C | CF-LA-1AL-5C | CF-LA-1AL-6C | | | | |
| | | Tab:#250 | CF-LA-1AZ2-4C | CF-LA-1AZ2-5C | CF-LA-1AZ2-6C | | | | |
| 2 Poles | ON-OFF | PC Straight | CF-LA-2KC-4C | CF-LA-2KC-5C | CF-LA-2KC-6C | | | 5pcs./pack | Plastic bags |
| | | PC-R/A | CF-LA-2KC4-4C | CF-LA-2KC4-5C | CF-LA-2KC4-6C | | | | |
| | | PC-L/A | CF-LA-2KC5-4C | CF-LA-2KC5-5C | CF-LA-2KC5-6C | | | | |
| | | Solder Terminals | CF-LA-2KL-4C | CF-LA-2KL-5C | CF-LA-2KL-6C | | | | |
| 1 Pole | ON-OFF | PC Straight | CF-LA-1AC-4 | CF-LA-1AC-5 | CF-LA-1AC-6 | 5pcs./pack | Plastic bags | | |
| | | PC-R/A | CF-LA-1AC4-4 | CF-LA-1AC4-5 | CF-LA-1AC4-6 | | | | |
| | | Solder Terminals | CF-LA-1AL-4 | CF-LA-1AL-5 | CF-LA-1AL-6 | | | | |
| | | Tab:#250 | CF-LA-1AZ2-4 | CF-LA-1AZ2-5 | CF-LA-1AZ2-6 | | | | |
| 2 Poles | ON-OFF | PC Straight | CF-LA-2KC-4 | CF-LA-2KC-5 | CF-LA-2KC-6 | | | 5pcs./pack | Plastic bags |
| | | PC-R/A | CF-LA-2KC4-4 | CF-LA-2KC4-5 | CF-LA-2KC4-6 | | | | |
| | | PC-L/A | CF-LA-2KC5-4 | CF-LA-2KC5-5 | CF-LA-2KC5-6 | | | | |
| | | Solder Terminals | CF-LA-2KL-4 | CF-LA-2KL-5 | CF-LA-2KL-6 | | | | |
| | | Tab:#250 | CF-LA-2KZ2-4 | CF-LA-2KZ2-5 | CF-LA-2KZ2-6 | | | | |

Soldering Specifications

(1) Auto Soldering

Device : Jet wave type or dip type
260°C ; 5-6 seconds, Max.

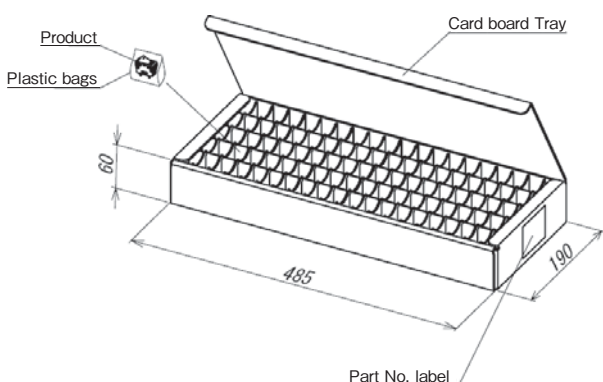
- Pre-heating should be done at temperatures ranging from 80°C to 150°C and within 2 or 3 minutes
The auto soldering is applicable to the PC terminals only.

(2) Manual Soldering

Device : Soldering iron
380°C, Max.; 3 seconds, Max.

Packing Specification

Card board Tray(100pcs. / pack)



Plastic bags (5pcs. / pack)

[Product packaging box]

