

CODE 54 - BRAID TAIL BACKSHELL

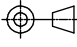


203M116-19B08-L

SERIES _____
 DASH NUMBER (TABLE 1) _____
 MATERIAL _____
 REFER TO CH00-0250-004
 FINISH _____
 REFER TO CH00-0250-004
 ENTRY SIZE (TABLE 2) _____
 MODIFICATION CODE _____
 REFER TO CH00-0250-004 ②

NOTES:

1. THIS PRODUCT IS DESIGNED TO TERMINATE A HEAT SHRINKABLE LIPPED BOOT TO A CONNECTOR.
- ② FOR ADDITIONAL DIMENSIONS, ORDERING INFORMATION AND MODIFICATIONS, SEE CH00-0250-004
3. BACKSHELL TO BE PERMANENTLY MARKED/BAGGED AND LABELLED WITH CODE IDENTIFICATION NUMBER AND PART NUMBER. (e.g. 06090-203M116-19B08).
- ④ WHEN ENTRY SIZE EXCEEDS "MAX ENTRY", A 2 PIECE BACKSHELL (TYPE 2) IS SUPPLIED.
5. BRAID TERMINATION RING MAY BE SUPPLIED AS TINEL-LOCK SHAPE MEMORY RING AT MANUFACTURERS OPTION.
- ⑥ BACKSHELL MATES TO MIL-C-81703, SERIES III, MS3424, MS3446, MS3464, MS3467, MS3468, CLASS E & L
- ⑦ BACKSHELL MATES TO MIL-C-5015G, MS3400 SERIES, CLASS D, E, K, L, U & W, MS3400, MS3401, MS3404, MS3406, MS3450, MS3451, MS3454, MS3456, MS3470, MS3471, MS3472, MS3474, MS3475, MS3476. MIL-C-83723, SERIES II, CLASS A & L. MIL-C-83723, SERIES I & III, CLASS A, G, K, R & S: M83723/1, /2, /3, /4, /5, /6, /7, /8, /13, /14, /36, /37, /38, /40, /41, /42, /43, /48, /49, /65, /66, /67, /68, /69, /70, /71, /72, /73, /74, /75, /76, /77, /78, /82, /83, /84, /85, /86, /87, /91, /92, /95, /97, /98, (MS3155 CONTROLLED INTERFACE).
8. WHEN "L" MODIFICATION IS SPECIFIED, COUPLING NUT SHALL HAVE 3 WIRE HOLES, 120° APART.

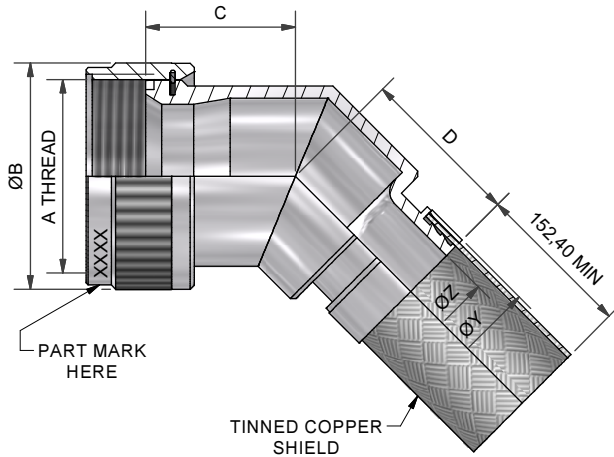
If this document is printed it becomes uncontrolled. Check for the latest revision

DRAWN	K.WINCZURA	DATE 20/04/2015	 3RD ANGLE PROJECTION NOT TO SCALE	TITLE: <div style="text-align: center; font-size: 1.2em;">BRAID TAIL BACKSHELL</div>	 Polamco  TE connectivity												
CHECKED		20/04/2015	UNLESS OTHERWISE SPECIFIED ALL DIMENSIONS IN MILLIMETRES GENERAL TOL LINEAR +/-0.25MM ANGULAR +/- 1°	ASSY USED ON: <div style="text-align: center; font-size: 1.2em;">MIL-DTL-26482 SERIES II / MIL-DTL-83723 SERIES I & III</div>													
APPROVED	K.SHEPPARD	27/04/2015		REVISIONS <table border="1" style="width: 100%; border-collapse: collapse; font-size: 0.8em;"> <thead> <tr> <th>LTR</th> <th>DESCRIPTION</th> <th>DATE</th> <th>APPROVED</th> </tr> </thead> <tbody> <tr> <td>N1</td> <td>REVISED PER ECO-12-011624</td> <td>21/06/2012</td> <td>K.YEE</td> </tr> <tr> <td>P</td> <td>REVISED PER ECO-15-012672</td> <td>02/09/2015</td> <td>H.SMITH</td> </tr> </tbody> </table>		LTR	DESCRIPTION	DATE	APPROVED	N1	REVISED PER ECO-12-011624	21/06/2012	K.YEE	P	REVISED PER ECO-15-012672	02/09/2015	H.SMITH
LTR	DESCRIPTION	DATE				APPROVED											
N1	REVISED PER ECO-12-011624	21/06/2012	K.YEE														
P	REVISED PER ECO-15-012672	02/09/2015	H.SMITH														
APPROVED	H.SMITH	02/09/2015															
TE CAGE CODE: 06090 POLAMCO/TE CAGE CODE: U5792				TE CONNECTIVITY - POLAMCO LTD RESERVES THE RIGHT TO AMEND THIS DRAWING AND THE INFORMATION SET FORTH HEREON AT ANY TIME. USERS SHOULD INDEPENDENTLY EVALUATE THE SUITABILITY OF THE PRODUCT FOR THEIR APPLICATION.	DRAWING NO: <div style="font-size: 1.2em;">203M1XX</div>	DRAWING REV: <div style="font-size: 1.2em;">P</div>	SHT <div style="font-size: 1.2em;">1</div>										

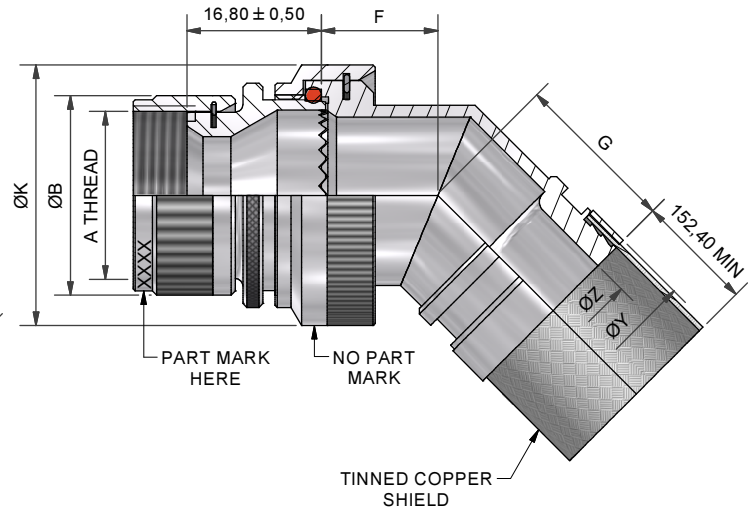
IF MAX ENTRY IS EXCEEDED ADAPTER
WILL BE SUPPLIED AS TYPE 2



STAINLESS
STEEL
TEETH VIEW



45° - TYPE 1



45° - TYPE 2

TABLE 1

ORDER NUMBER	SHELL SIZE		A THREAD	ØB MAX	MAX ENTRY	C ±0,5	D ±0,5
	(6)	(7)					
03	3		9/16-24 UNEF	17,0	04	16,8	16,6
08		8 & 8S	1/2-20 UNF	15,6	04	16,6	16,4
10	10	10, 10S, 10SL	5/8-24 UNEF	18,6	06	16,8	16,7
12	7	12 & 12S	3/4-20 UNEF	21,7	08	17,3	17,1
14	12	14 & 14S	7/8-20 UNEF	24,9	09	18,1	17,9
16	19	16 & 16S	1-20 UNEF	28,2	11	19,0	18,7
18	27	18	1 1/16-18 UNEF	30,9	12	19,2	19,0
20	37	20	1 3/16-18 UNEF	34,1	14	20,1	19,8
22		22	1 5/16-18 UNEF	37,3	16	20,3	20,1
24		24	1 7/16-18 UNEF	40,4	18	21,8	21,5
28		28	1 3/4-18UNS	50,0	22	23,3	22,0
32		32	2-18 UNS	56,3	24	25,0	23,7
36		36	2 1/4-16 UN	62,7	28	26,2	24,9
40		40	2 1/2-16 UN	69,0	28	28,6	26,1
44		44	2 3/4-16 UN	75,4	28	30,1	27,8
48		48	3-16UN	81,7	28	31,3	29,0
61	61		1 1/2-18 UNEF	42,0	18	22,1	21,4

TABLE 2

ENTRY SIZE	ØK MAX	ØZ REF	ØY REF	F ±0,5	G ±0,5
03	NA	4,77	13,1	NA	NA
04	NA	6,35	13,1	NA	NA
05	21,0	7,92	13,1	12,5	14,5
06	21,0	9,52	17,9	12,5	14,5
07	21,0	11,12	17,9	12,5	14,5
08	24,5	12,70	17,9	13,1	15,1
09	24,5	14,27	17,9	13,1	15,1
10	29,0	15,87	24,2	13,5	16,6
11	29,0	17,47	24,2	13,5	16,6
12	32,5	19,05	24,2	14,5	18,3
13	35,5	20,62	24,2	15,5	18,8
14	35,5	22,23	30,6	15,5	18,8
15	37,0	23,82	30,6	16,1	19,7
16	37,0	25,40	30,6	16,1	19,7
17	40,0	26,98	33,2	16,5	20,0
18	40,0	28,60	33,2	16,5	20,0
20	43,5	31,80	42,0	17,0	22,9
21	48,5	33,34	42,0	18,5	24,8
22	48,5	35,00	42,0	18,5	24,8
24	52,1	38,10	42,0	21,9	25,8
28	58,5	44,45	49,0	25,7	26,4

If this document is printed it becomes uncontrolled. Check for the latest revision

DRAWN	K.WINCZURA	DATE	20/04/2015
CHECKED		DATE	20/04/2015
APPROVED	K.SHEPPARD	DATE	27/04/2015
APPROVED	H.SMITH	DATE	02/09/2015
REVISIONS			
LTR	DESCRIPTION	DATE	APPROVED
N1	REVISED PER ECO-12-011624	21/06/2012	K.YEE
P	REVISED PER ECO-15-012672	02/09/2015	H.SMITH



3RD ANGLE
PROJECTION
NOT TO
SCALE

UNLESS OTHERWISE SPECIFIED
ALL DIMENSIONS IN MILLIMETRES
GENERAL TOL
LINEAR +/-0,25MM
ANGULAR +/- 1°

TITLE:

BRAID TAIL BACKSHELL (CODE 54)

ASSY USED ON:

MIL-DTL-26482 SERIES II / MIL-DTL-83723 SERIES I & III



TE CONNECTIVITY - POLAMCO LTD RESERVES THE RIGHT TO AMEND THIS DRAWING
AND THE INFORMATION SET FORTH HEREON AT ANY TIME. USERS SHOULD
INDEPENDENTLY EVALUATE THE SUITABILITY OF THE PRODUCT FOR THEIR APPLICATION.

DRAWING NO:
203M1XX

DRAWING REV:
P

SHT
2

TE CAGE CODE: 06090
POLAMCO/TE CAGE CODE: U5792