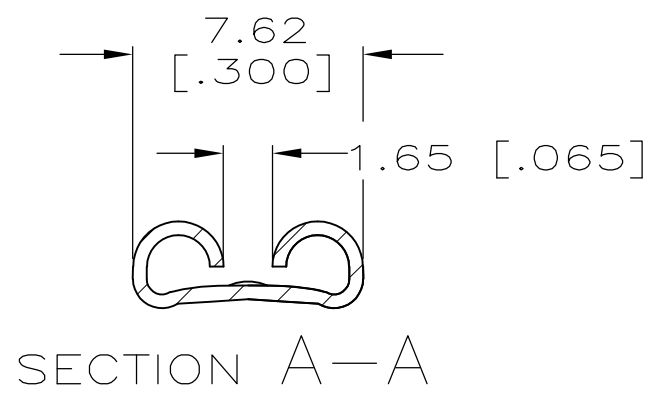
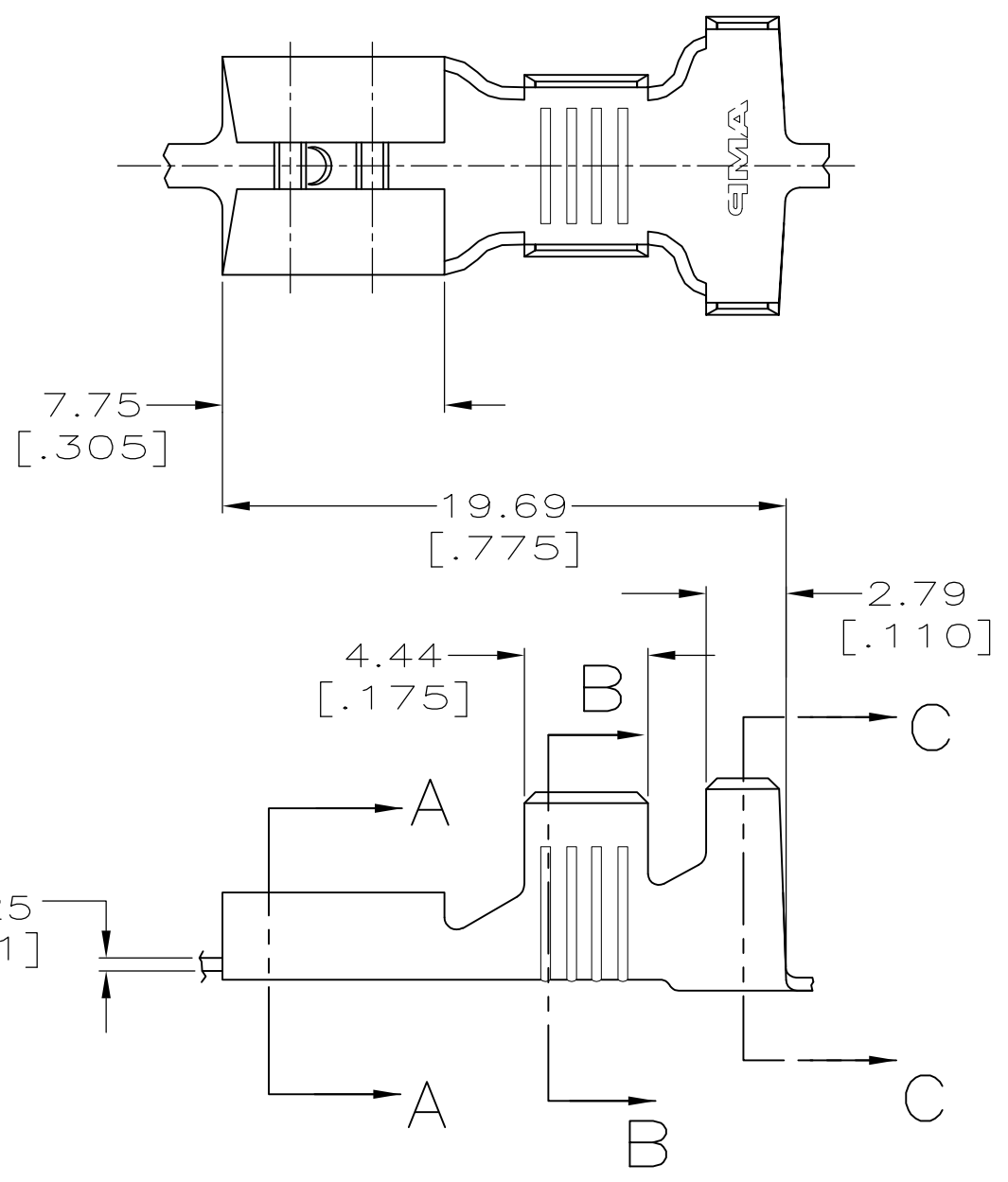


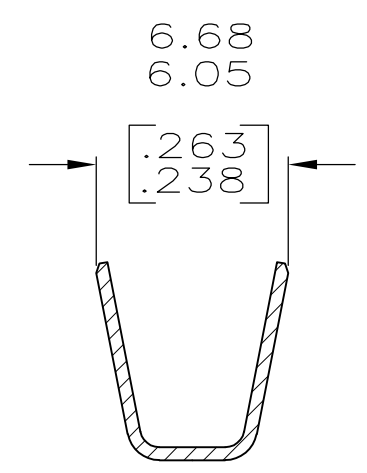
THIS DRAWING IS UNPUBLISHED. RELEASED FOR PUBLICATION
 © COPYRIGHT - By - ALL RIGHTS RESERVED.

LOC	DIST	REVISIONS				
P	LTR	DESCRIPTION	DATE	DWN	APVD	
AF	50	G	REVISED PER ECR-12-013459	27NOV2012	KH PD	

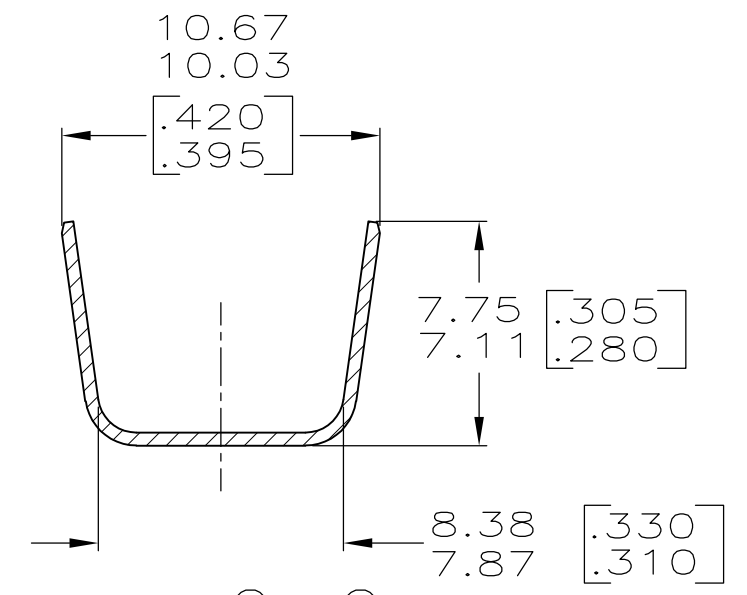
1 CONTINUOUS STRIP ON REELS.



SECTION A-A



SECTION B-B



SECTION C-C

TIN	[.230-.280 OR (2) .160] 5.84-7.11 OR (2) 4.06	[#10-#8] OR (2) {#12's}	0.813±0.025 [.032±.001]	62998-2
FINISH	INSULATION RANGE	WIRE SIZE	MATING TAB THICKNESS	PART NO

THIS DRAWING IS A CONTROLLED DOCUMENT.		DWN JR RUTH 3/15/95	TE Connectivity RECEPTACLE, FASTON, 6.35 [.250] SERIES			
DIMENSIONS: mm [INCHES]		CHK MS FEHER 3/15/95				
TOLERANCES UNLESS OTHERWISE SPECIFIED:		APVD P DESANTIS 3/15/95				
0 PLC ± - 1 PLC ± - 2 PLC ± 0.38 [.015] 3 PLC ± - 4 PLC ± - ANGLES ± -		PRODUCT SPEC -				
MATERIAL BRASS	FINISH SEE TABLE	APPLICATION SPEC 114-2036	SIZE A3	CAGE CODE 00779	DRAWING NO C-62998	RESTRICTED TO -
CUSTOMER DRAWING			SCALE 4:1	SHEET 1 OF 1	REV G	