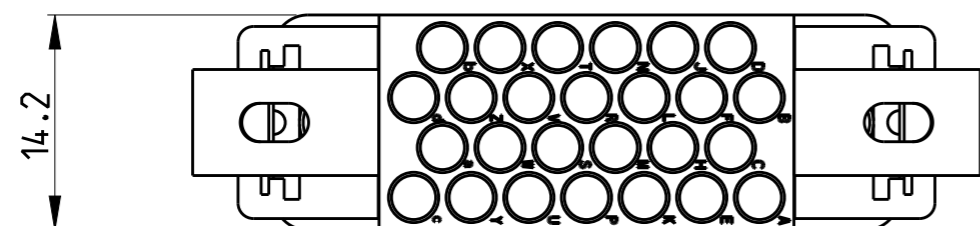
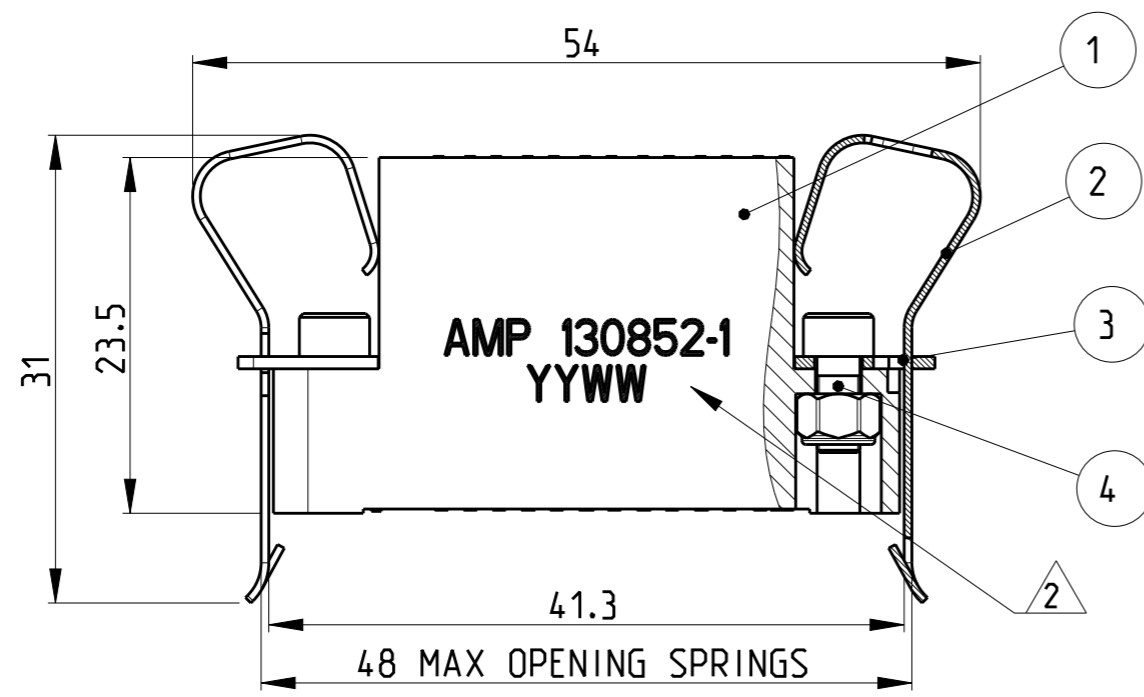
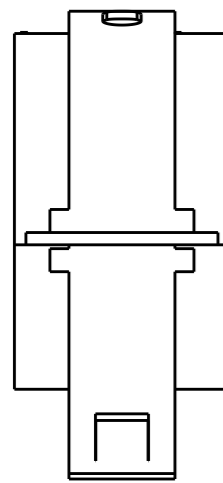
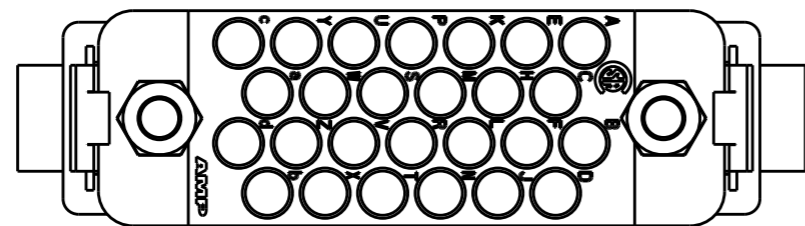


THIS DRAWING IS UNPUBLISHED. RELEASED FOR PUBLICATION 20
 © COPYRIGHT 20 BY - ALL RIGHTS RESERVED.

LOC	DIST	REVISIONS			
P	LTR	DESCRIPTION	DATE	DWN	APVD
F	00				
	E	REDRAWN ON CAD	12SEP2012	TC	YP
	F	ERROR CONTACT PN: 201568-1 WAS 200568-1	11OCT2012	TC	YP



- 1. MATERIAL:
HOUSING: PHENOLIC, COLOR BLACK
CONTACTS: BRASS, GOLD PLATED
- 2. MARKING:
AMP, PART NUMBER (130852-1)
DATE-CODE (YEAR, WEEK)

130852-3	130852-2	130852-1	PART NUMBER	OBSERVATION	DESCRIPTION	ITEM
26	-	-	201568-1	IN A SEPARATE BAG	SOCKET CONTACT #16 (AWG 14)	-
-	26	-	130743-1	IN A SEPARATE BAG	SOCKET CONTACT #16 (AWG 22-18)	-
1	1	-	130852-1	WITHOUT CONTACT	GROUNDING CONNECTOR	-
-	-	2	-	CONNECTOR SUPPLIED ASSEMBLED	FASTENER	4
-	-	2	-		YOKE	3
-	-	2	-		SPRING	2
-	-	1	-		HOUSING 26 POS.	1

THIS DRAWING IS A CONTROLLED DOCUMENT.

DWN T. CORRIOU 12SEP2012		NAME CONNECTOR, GROUNDING, 26 POS.			
CHK J. THUEZ 12SEP2012					
APVD Y. PETRONIN 12SEP2012					
PRODUCT SPEC					
APPLICATION SPEC	SIZE A3	CAGE CODE 00779	DRAWING NO C-130852	RESTRICTED TO	
MATERIAL -	FINISH -	WEIGHT -	SCALE 2:1	SHEET 1 OF 1	REV F

Customer Drawing