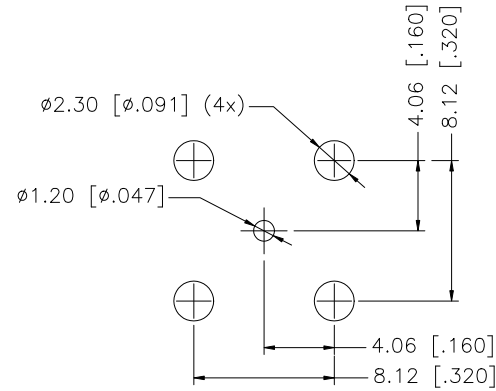
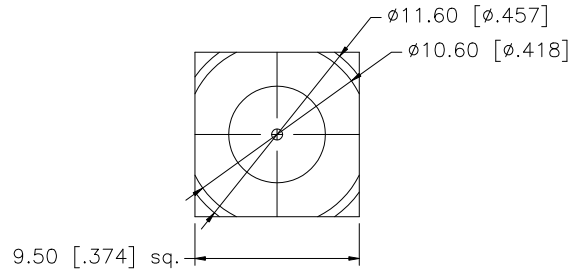
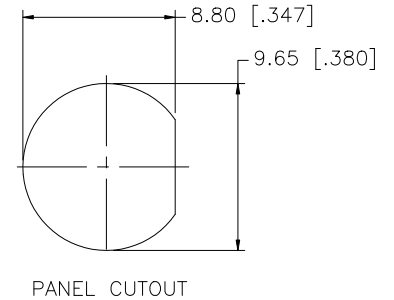
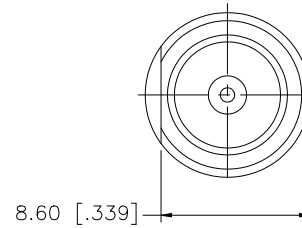
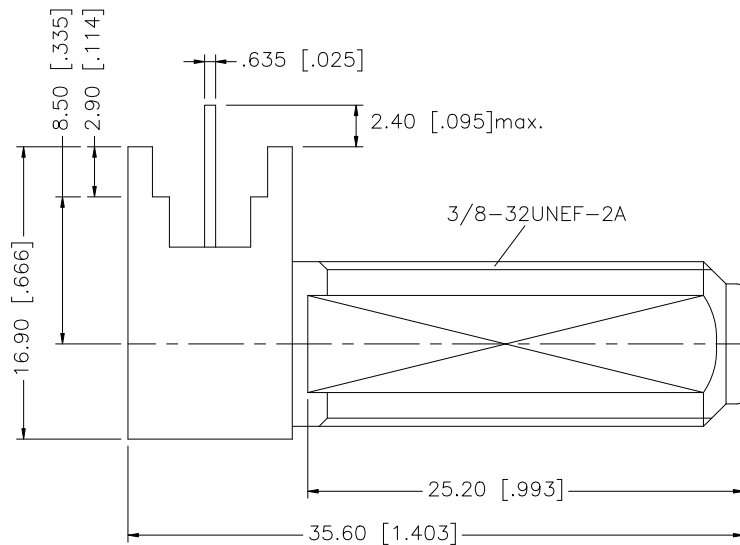


REV.	DATE	DESCRIPTION
A	05/29/03	UPDATE DRAWING FORMAT
B	08/13/07	REVISE PART ORIENTATION



PCB MOUNTING PATTERN



PANEL CUTOUT

NOTE:

1. REF: HUGHS 1016844-0001
2. BER. COPPER PLATING PER QQ-C-530

DESCRIPTION	MATERIAL	FINISH	QTY	UNLESS OTHERWISE SPECIFIED DIMENSIONS ARE IN MILLIMETERS. DIMENSIONS IN [] ARE IN INCHES AND FOR CUSTOMER REFERENCE ONLY.	APPROVALS	DATE	Amphenol Connex																
8							PART DESCRIPTION F SERIES R/A PCS RECEPTACLE																
7						PART NO. 222128-10																	
6											DWG. NO. 222128-10.DWG												
5	INSULATOR	DELTRIN	NATURAL	1	UNLESS OTHERWISE SPECIFIED TOLERANCES FOR MILLIMETERS ARE: 0.5 - 8mm ± 0.20mm 8 - 30mm ± 0.40mm 30 - 120mm ± 0.50mm										DRAWN	G.R.S.	08/13/07	REV. B	SIZE A	SCALE NA			
4	INSULATOR	POLY PRO	NATURAL	1	UNLESS OTHERWISE SPECIFIED TOLERANCES FOR INCHES ARE: .020 - .315 = ± 0.007" .315 - 1.180 = ± 0.015" 1.180 - 4.724 = ± 0.020"										CHECKED								
3	CONTACT PIN	BER. COPPER	BRT. TIN	1	DO NOT SCALE DRAWING					ISSUED													
2	CONTACT PIN	BRASS	BRT. TIN	1		SHEET	1 OF 1																
1	BODY	BRASS	NICKEL	1		CAD FILE	C:/222/222128-10.DWG																