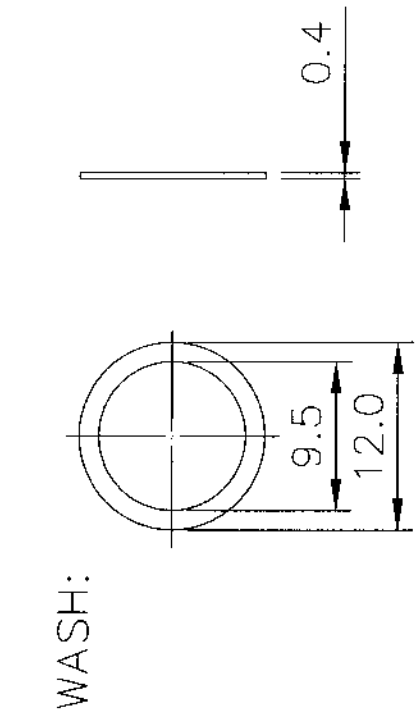
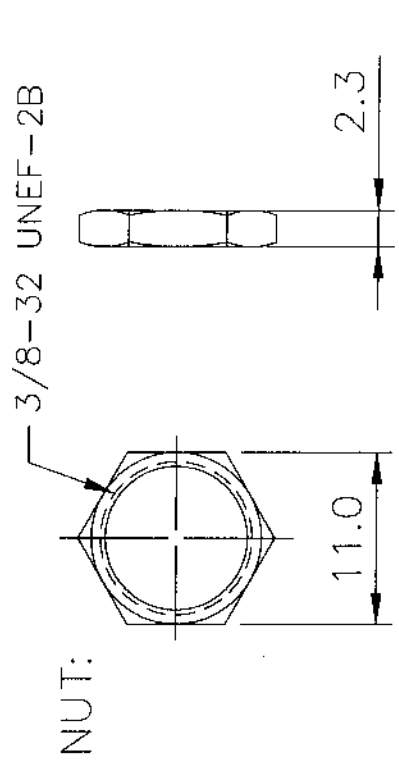
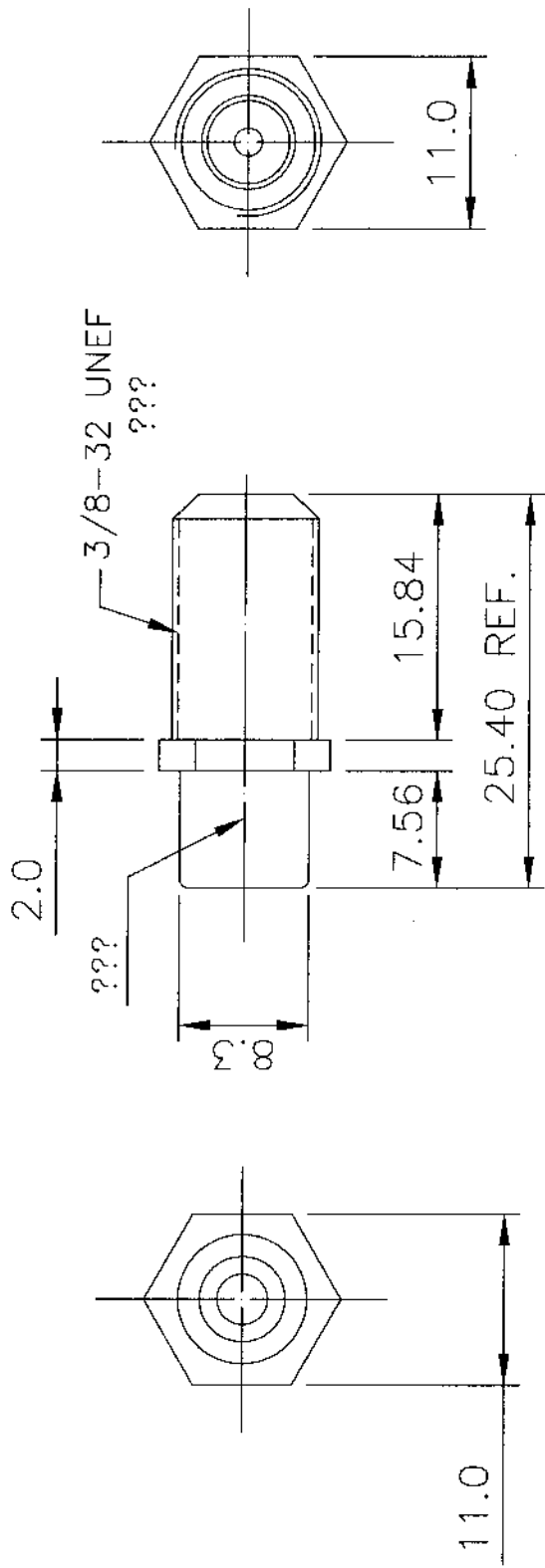


4 3 2 1

REVISIONS

ZONE	REV	DESCRIPTION	DATE	APPROVED
	A	RELEASE FOR PRODUCTION	03/12/02	



NOTE:

1. MATERIAL: BRONZE WITH GOLD PLATING, FLASH
2. F-CONNECTOR: THREADS: 3/8-32 UNEF
3. RCA CONNECTOR INSERT COLOR TO BE RED.

XMI-DYNA072CST

REC'D NOV 13 2002

UNLESS OTHERWISE SPECIFIED:		PROJECT ID		TITLE	
DECIMAL	ANGULAR	H2031-RFG5	DATE	Hellemanntyton.	
~20 ±0.1mm	±0°50'	FILE	03/12/02	RCA TO F CONNECTOR	
OVER 20-60 ±0.15mm		DRAWN	BOB	SIZE	DRAWING NUMBER
OVER 60 ±0.2mm		CHECK		A4	Q0616
MATERIAL	AS NOTE	APPROVED		SCALE	1:1
SURFACE	AS NOTE			UNIT	mm
FINISH	AS NOTE			SHEET	1 of 1