

Metalized Polyester Film Capacitor

Type : **ECQE(F)**

Non-inductive construction using metallized Polyester film with flame retardant epoxy resin coating



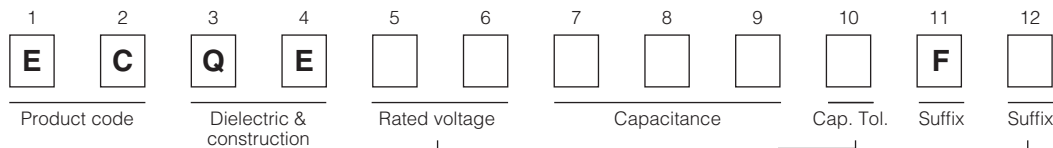
Features

- Self-healing property
- Excellent electrical characteristics
- Flame retardant epoxy resin coating
- RoHS directive compliant

Recommended applications

- General purpose usage
 - * Please contact us when applications are CDI , ignitor etc.

Explanation of part number

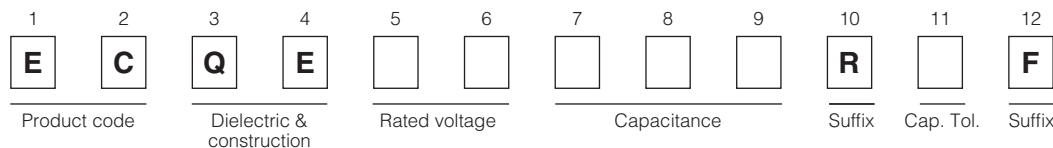


| | | | |
|---|----------|----|-----------|
| 1 | 100 V.DC | 10 | 1000 V.DC |
| 2 | 250 V.DC | 12 | 1250 V.DC |
| 4 | 400 V.DC | 1A | 125 V.AC |
| 6 | 630 V.DC | 2A | 250 V.AC |

| | |
|---|-------|
| J | ±5 % |
| K | ±10 % |

| Code | Lead Form |
|-------|-----------------------|
| Blank | Straight |
| B | Crimped lead |
| Z | Cut lead |
| 3 | Crimped taping (Ammo) |
| 6 | Crimped taping (Ammo) |

- Odd size taping



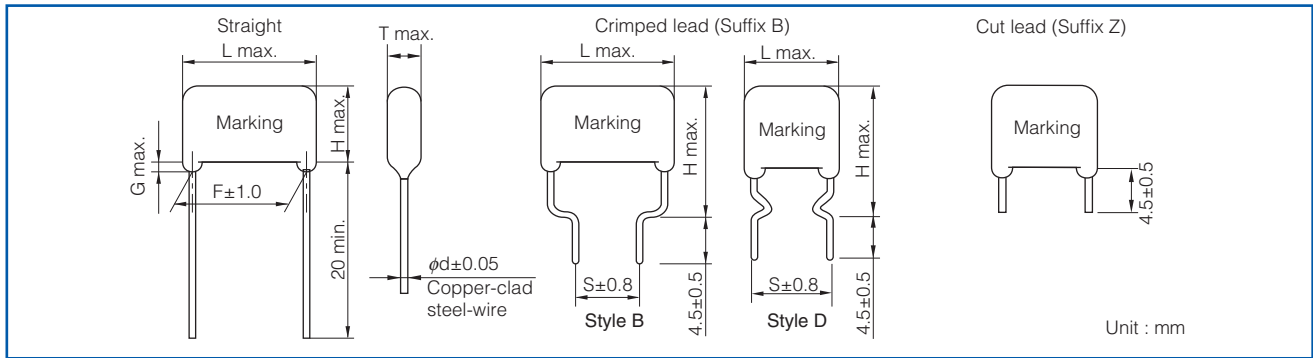
Specifications

| | | |
|--|---|--|
| Category temp. range (Including temperature-rise on unit surface) | 100 V.DC, 250 V.DC, 400 V.DC, 630 V.DC, 1000 V.DC, 1250 V.DC 125 V.AC, 250 V.AC | - 40 °C to +105 °C - 40 °C to +105 °C |
| Rated voltage | 100 V.DC, 250 V.DC, 400 V.DC, 630 V.DC, 1000 V.DC, 1250 V.DC (Derating of rated voltage by 1.25 %/°C at more than 85 °C) 125 V.AC, 250 V.AC | |
| Capacitance range | 0.0010 μF to 10 μF (E12) | |
| Capacitance tolerance | ±5 % (J), ±10 % (K) | |
| Dissipation factor (tan δ) | tan δ ≤ 1.0 % (20 °C, 1 kHz) | |
| Withstand voltage | <ul style="list-style-type: none"> Rated volt. : 100 V.DC to 630 V.DC Between terminals : Rated volt. (V.DC) × 150 %, 60 s | |
| | <ul style="list-style-type: none"> Rated volt. : 1000 V.DC, 1250 V.DC Between terminals : Rated volt. (V.DC) × 175 %, 2 s to 5 s or 1000 V.AC, 60 s Between terminals to enclosure : 1500 V.AC, 60 s | |
| | <ul style="list-style-type: none"> Rated volt. : 125 V.AC, 250 V.AC Between terminals : Rated volt. (V.AC) × 230 %, 60 s Between terminals to enclosure : 1500 V.AC, 60 s | |
| Insulation resistance (IR) | 100 V.DC to 630 V.DC : C ≤ 0.33 μF : IR ≥ 9000 MΩ C > 0.33 μF : IR ≥ 3000 MΩ · μF (20 °C, 100 V.DC, 60 s) | |
| | 1000 V.DC, 1250 V.DC : IR ≥ 10000 MΩ (20 °C, 100 V.DC, 60 s) IR ≥ 2000 MΩ (20 °C, 500 V.DC, 60 s) | |
| | 125 V.AC, 250 V.AC : C ≤ 0.47 μF : IR ≥ 2000 MΩ (20 °C, 500 V.DC, 60 s) C > 0.47 μF : IR ≥ 3000 MΩ · μF (20 °C, 100 V.DC, 60 s) | |

* In case of applying voltage in alternating current (50 Hz or 60 Hz sine wave) to a capacitor with DC rated voltage, please refer to the page of "Permissible voltage (R.M.S) in alternating current corresponding to DC rated voltage".

* Voltage to be applied to ECQE1A (F) & ECQE2A (F) is only sine wave (50 Hz or 60 Hz).

Dimensions

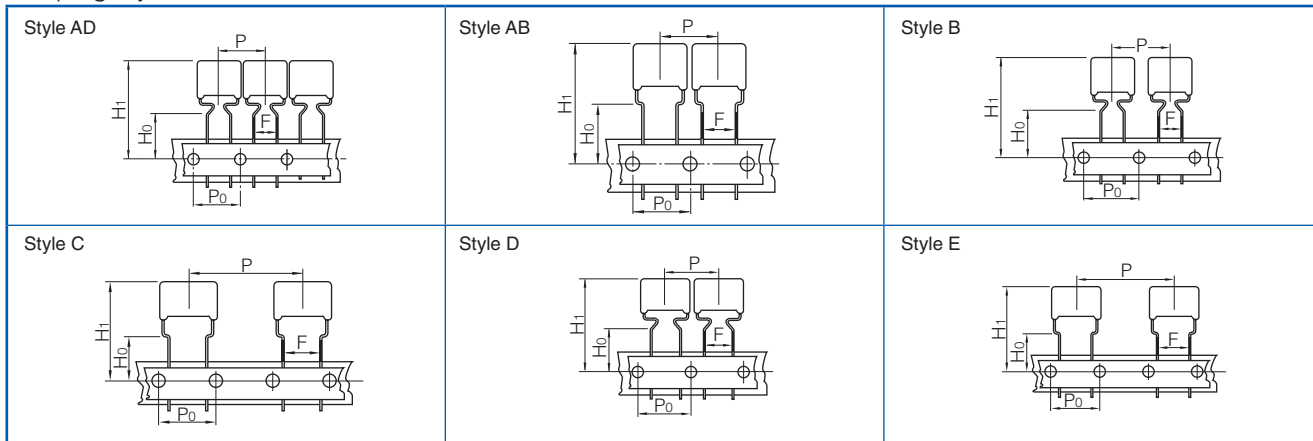


Packaging specifications for bulk package

- Packing quantity : 100 pcs./bag

Taping specifications for automatic insertion

- Taping style



* Refer to the page of taping specifications.

● Packaging specifications

| Type | Rated voltage | Capacitance range (μF) | Taping style | | | | | | | Packing | suffix |
|----------|----------------|------------------------|--------------|----|----|---|---|---|------|---------|--------|
| | | | AD | AS | AB | B | C | D | E | | |
| ECQE(F) | 100 V.DC | 0.56 to 0.68 | ○ | | | | | | | Ammo | () F3 |
| | | 0.82 to 1.0 | | | | ○ | | | | Ammo | () F3 |
| | | 1.2 to 3.3 | | | | | ○ | | | Ammo | () F3 |
| | | 1.2 to 3.3 | | | | | | | ○ | Ammo | R() F |
| | 250 V.DC | 0.010 to 0.27 | ○ | | | | | | | Ammo | () F3 |
| | | 0.33 | | | | ○ | | | | Ammo | () F3 |
| | | 0.39 to 1.5 | | | | | ○ | | | Ammo | () F3 |
| | | 0.010 to 0.33 | | | | | | ○ | | Ammo | R() F |
| | 400 V.DC | 0.39 to 1.5 | | | | | | | ○ | Ammo | R() F |
| | | 0.010 to 0.10 | ○ | | | | | | | Ammo | () F3 |
| | | 0.12 to 0.47 | | | | | ○ | | | Ammo | () F3 |
| | | 0.010 to 0.10 | | | | | | ○ | | Ammo | R() F |
| | 630 V.DC | 0.12 to 0.47 | | | | | | | ○ | Ammo | R() F |
| | | 0.0010 to 0.033 | ○ | | | | | | | Ammo | () F3 |
| | | 0.039 to 0.047 | | | | ○ | | | | Ammo | () F3 |
| | | 0.056 to 0.22 | | | | | ○ | | | Ammo | () F3 |
| | 1000 V.DC | 0.001 to 0.047 | | | | | | ○ | | Ammo | R() F |
| | | 0.056 to 0.22 | | | | | | | ○ | Ammo | R() F |
| | | 0.010 to 0.10 | | | | | | | ○ | Ammo | R() F |
| | | 0.0010 to 0.022 | | | | | | | ○ | Ammo | R() F |
| 125 V.AC | 0.010 to 0.068 | | | ○ | | | | | Ammo | () F6 | |
| | 0.010 to 0.068 | | | | | ○ | | | Ammo | R() F | |
| 250 V.AC | 0.010 to 0.033 | | | ○ | | | | | Ammo | () F6 | |
| | 0.010 to 0.047 | | | | | ○ | | | Ammo | R() F | |
| | 0.056 to 0.22 | | | | | | | ○ | Ammo | R() F | |

● Lead spacing

| Style | Lead spacing |
|-------|--------------|
| AD | 5.0 mm |
| AB | 5.0 mm |
| B | 5.0 mm |
| C | 5.0 mm |
| D | 7.5 mm |
| E | 7.5 mm |

* See the column "Rating · Dimensions · Quantity" for packing quantity

Rating · Dimensions · Quantity

- Rated voltage : 100 V.DC, Capacitance tolerance : $\pm 5\%$ (J), $\pm 10\%$ (K)

| Part No. | Cap. (μ F) | Dimensions (mm) | | | | | | | | Min. order Q'ty | | | Bulk |
|---------------|--------------------|-----------------|--------|----------|--------------|------|------|--------|----------|-----------------|--------------|----------|------|
| | | L max. | T max. | H max. | | F | S | G max. | ϕ d | Taping | | | |
| | | | | Straight | Crimped lead | | | | | Straight | Crimped lead | Straight | |
| ECQE1564□F() | 0.56 | 12.0 | 5.5 | 10.9 | 15.9 | 10.0 | 10.0 | 1.0 | 0.6 | 500 | - | - | 500 |
| ECQE1684□F() | 0.68 | 12.0 | 6.0 | 11.9 | 16.9 | 10.0 | 10.0 | 1.0 | 0.6 | | | | |
| ECQE1824□F() | 0.82 | 12.0 | 6.0 | 13.5 | 18.5 | 10.0 | 10.0 | 1.0 | 0.6 | | | | |
| ECQE1105□F() | 1.0 | 12.0 | 6.7 | 14.0 | 19.0 | 10.0 | 10.0 | 1.0 | 0.6 | | | | |
| ECQE1125□F() | 1.2 | 18.5 | 5.5 | 12.8 | 17.8 | 15.0 | 10.0 | 1.0 | 0.6 | | | | |
| ECQE1155□F() | 1.5 | 18.5 | 6.0 | 13.4 | 18.4 | 15.0 | 10.0 | 1.0 | 0.8 | | | | |
| ECQE1185□F() | 1.8 | 18.5 | 6.5 | 14.4 | 19.4 | 15.0 | 10.0 | 1.0 | 0.8 | | | | |
| ECQE1225□F() | 2.2 | 18.5 | 7.0 | 15.0 | 20.0 | 15.0 | 10.0 | 1.0 | 0.8 | | | | |
| ECQE1275□F() | 2.7 | 18.5 | 8.0 | 15.8 | 20.8 | 15.0 | 10.0 | 1.0 | 0.8 | | | | |
| ECQE1335□F() | 3.3 | 18.5 | 8.5 | 16.5 | 21.5 | 15.0 | 10.0 | 1.0 | 0.8 | | | | |
| ECQE1395□F() | 3.9 | 26.0 | 7.0 | 16.4 | 21.4 | 22.5 | 15.0 | 1.0 | 0.8 | | | | |
| ECQE1475□F() | 4.7 | 26.0 | 7.5 | 17.0 | 22.0 | 22.5 | 15.0 | 1.0 | 0.8 | | | | |
| ECQE1565□F() | 5.6 | 26.0 | 8.3 | 17.5 | 22.5 | 22.5 | 15.0 | 1.0 | 0.8 | | | | |
| ECQE1685□F() | 6.8 | 26.0 | 9.0 | 18.5 | 23.5 | 22.5 | 15.0 | 1.0 | 0.8 | | | | |
| ECQE1825□F() | 8.2 | 26.0 | 10.0 | 20.0 | 25.0 | 22.5 | 15.0 | 1.5 | 0.8 | | | | |
| ECQE1106□F() | 10.0 | 26.0 | 11.5 | 21.0 | 26.0 | 22.5 | 15.0 | 1.5 | 0.8 | | | | |

* □ : Capacitance tolerance code
() : Suffix for lead crimped or taped type

style D : 0.56 μ F to 1.0 μ F
style B : 1.2 μ F to 10.0 μ F

Rating · Dimensions · Quantity

- Rated voltage : 250 V.DC, Capacitance tolerance : $\pm 5\%$ (J), $\pm 10\%$ (K)

| Part No. | Cap. (μ F) | Dimensions (mm) | | | | | | | | Min. order Q'ty | | | Bulk |
|---------------|--------------------|-----------------|--------|----------|--------------|------|------|--------|----------|-----------------|--------------|----------|------|
| | | L max. | T max. | H max. | | F | S | G max. | ϕ d | Taping | | | |
| | | | | Straight | Crimped lead | | | | | Straight | Crimped lead | Straight | |
| ECQE2103□F() | 0.010 | 10.3 | 4.3 | 7.4 | 12.4 | 7.5 | 7.5 | 1.0 | 0.6 | 1000 | - | - | 500 |
| ECQE2123□F() | 0.012 | 10.3 | 4.4 | 7.5 | 12.5 | 7.5 | 7.5 | 1.0 | 0.6 | | | | |
| ECQE2153□F() | 0.015 | 10.3 | 4.4 | 7.5 | 12.5 | 7.5 | 7.5 | 1.0 | 0.6 | | | | |
| ECQE2183□F() | 0.018 | 10.3 | 4.4 | 7.5 | 12.5 | 7.5 | 7.5 | 1.0 | 0.6 | | | | |
| ECQE2223□F() | 0.022 | 10.3 | 4.4 | 7.5 | 12.5 | 7.5 | 7.5 | 1.0 | 0.6 | | | | |
| ECQE2273□F() | 0.027 | 10.3 | 4.4 | 7.5 | 12.5 | 7.5 | 7.5 | 1.0 | 0.6 | | | | |
| ECQE2333□F() | 0.033 | 10.3 | 4.5 | 7.5 | 12.5 | 7.5 | 7.5 | 1.0 | 0.6 | | | | |
| ECQE2393□F() | 0.039 | 10.3 | 4.5 | 7.5 | 12.5 | 7.5 | 7.5 | 1.0 | 0.6 | | | | |
| ECQE2473□F() | 0.047 | 10.3 | 4.5 | 7.5 | 12.5 | 7.5 | 7.5 | 1.0 | 0.6 | | | | |
| ECQE2563□F() | 0.056 | 10.3 | 4.8 | 7.9 | 12.9 | 7.5 | 7.5 | 1.0 | 0.6 | | | | |
| ECQE2683□F() | 0.068 | 10.3 | 4.5 | 7.5 | 12.5 | 7.5 | 7.5 | 1.0 | 0.6 | | | | |
| ECQE2823□F() | 0.082 | 10.3 | 4.9 | 8.0 | 13.0 | 7.5 | 7.5 | 1.0 | 0.6 | | | | |
| ECQE2104□F() | 0.10 | 10.3 | 5.8 | 8.4 | 13.4 | 7.5 | 7.5 | 1.0 | 0.6 | | | | |
| ECQE2124□F() | 0.12 | 10.3 | 6.0 | 9.0 | 14.0 | 7.5 | 7.5 | 1.0 | 0.6 | | | | |
| ECQE2154□F() | 0.15 | 10.3 | 6.0 | 10.8 | 15.8 | 7.5 | 7.5 | 1.0 | 0.6 | | | | |
| ECQE2184□F() | 0.18 | 12.0 | 5.0 | 10.3 | 15.3 | 10.0 | 10.0 | 1.0 | 0.6 | | | | |
| ECQE2224□F() | 0.22 | 12.0 | 5.5 | 10.5 | 15.5 | 10.0 | 10.0 | 1.0 | 0.6 | | | | |
| ECQE2274□F() | 0.27 | 12.0 | 6.0 | 11.5 | 16.5 | 10.0 | 10.0 | 1.0 | 0.6 | | | | |
| ECQE2334□F() | 0.33 | 12.0 | 6.5 | 12.0 | 17.0 | 10.0 | 10.0 | 1.0 | 0.6 | | | | |
| ECQE2394□F() | 0.39 | 18.5 | 4.9 | 12.0 | 17.0 | 15.0 | 10.0 | 1.0 | 0.6 | | | | |
| ECQE2474□F() | 0.47 | 18.5 | 5.3 | 12.5 | 17.5 | 15.0 | 10.0 | 1.0 | 0.6 | | | | |
| ECQE2564□F() | 0.56 | 18.5 | 5.5 | 13.0 | 18.0 | 15.0 | 10.0 | 1.0 | 0.6 | | | | |
| ECQE2684□F() | 0.68 | 18.5 | 6.0 | 13.5 | 18.5 | 15.0 | 10.0 | 1.0 | 0.8 | | | | |
| ECQE2824□F() | 0.82 | 18.5 | 6.5 | 14.5 | 19.5 | 15.0 | 10.0 | 1.0 | 0.8 | | | | |
| ECQE2105□F() | 1.0 | 18.5 | 7.4 | 15.0 | 20.0 | 15.0 | 10.0 | 1.0 | 0.8 | | | | |
| ECQE2125□F() | 1.2 | 18.5 | 8.0 | 15.9 | 20.9 | 15.0 | 10.0 | 1.0 | 0.8 | | | | |
| ECQE2155□F() | 1.5 | 18.5 | 9.0 | 16.8 | 21.8 | 15.0 | 10.0 | 1.0 | 0.8 | | | | |
| ECQE2185□F() | 1.8 | 26.0 | 7.5 | 15.5 | 20.5 | 22.5 | 15.0 | 1.0 | 0.8 | | | | |
| ECQE2225□F() | 2.2 | 26.0 | 8.5 | 16.3 | 21.3 | 22.5 | 15.0 | 1.0 | 0.8 | | | | |
| ECQE2275□F() | 2.7 | 26.0 | 9.4 | 17.0 | 22.0 | 22.5 | 15.0 | 1.0 | 0.8 | | | | |
| ECQE2335□F() | 3.3 | 26.0 | 10.3 | 18.0 | 23.0 | 22.5 | 15.0 | 1.5 | 0.8 | | | | |
| ECQE2395□F() | 3.9 | 26.0 | 11.0 | 20.5 | 25.5 | 22.5 | 15.0 | 1.5 | 0.8 | | | | |
| ECQE2475□F() | 4.7 | 26.0 | 12.0 | 21.5 | 26.5 | 22.5 | 15.0 | 1.5 | 0.8 | | | | |
| ECQE2565□F() | 5.6 | 31.0 | 11.8 | 21.0 | 26.0 | 27.5 | 22.5 | 1.5 | 0.8 | | | | |
| ECQE2685□F() | 6.8 | 31.0 | 13.0 | 22.4 | 27.4 | 27.5 | 22.5 | 1.5 | 0.8 | | | | |
| ECQE2825□F() | 8.2 | 31.0 | 14.3 | 23.5 | 28.5 | 27.5 | 22.5 | 1.5 | 0.8 | | | | |
| ECQE2106□F() | 10.0 | 31.0 | 15.9 | 25.8 | 30.8 | 27.5 | 22.5 | 1.5 | 0.8 | | | | |

* □ : Capacitance tolerance code
() : Suffix for lead crimped or taped type

Style D : 0.010 μ F to 0.33 μ F
Style B : 0.39 μ F to 10.0 μ F

Rating · Dimensions · Quantity

● Rated voltage : 400 V.DC, Capacitance tolerance : ± 5 % (J), ± 10 % (K)

| Part No. | Cap. (μ F) | Dimensions (mm) | | | | | | | | Min. order Q'ty | | | | | |
|---------------|--------------------|-----------------|--------|----------|--------------|----------|--------------|----------|--------------|-----------------|----------|---------------|---------------|-----------------|------|
| | | L max. | T max. | H max. | | F | | S | | G max. | ϕ d | Taping | | | Bulk |
| | | | | Straight | Crimped lead | Straight | Crimped lead | Straight | Crimped lead | | | Standard 5 mm | Odd size 5 mm | Odd size 7.5 mm | |
| ECQE4103□F() | 0.010 | 10.3 | 4.3 | 7.4 | 12.4 | 7.5 | 7.5 | 1.0 | 0.6 | 1000 | - | 1000 | 500 | | |
| ECQE4123□F() | 0.012 | 10.3 | 4.4 | 7.5 | 12.5 | 7.5 | 7.5 | 1.0 | 0.6 | | | | | | |
| ECQE4153□F() | 0.015 | 10.3 | 4.4 | 7.5 | 12.5 | 7.5 | 7.5 | 1.0 | 0.6 | | | | | | |
| ECQE4183□F() | 0.018 | 10.3 | 4.4 | 7.5 | 12.5 | 7.5 | 7.5 | 1.0 | 0.6 | | | | | | |
| ECQE4223□F() | 0.022 | 10.3 | 4.8 | 7.9 | 12.9 | 7.5 | 7.5 | 1.0 | 0.6 | | | | | | |
| ECQE4273□F() | 0.027 | 10.3 | 5.5 | 8.0 | 13.0 | 7.5 | 7.5 | 1.0 | 0.6 | | | | | | |
| ECQE4333□F() | 0.033 | 10.3 | 6.0 | 9.0 | 14.0 | 7.5 | 7.5 | 1.0 | 0.6 | 500 | - | 1000 | | | |
| ECQE4393□F() | 0.039 | 12.0 | 4.9 | 8.0 | 13.0 | 10.0 | 10.0 | 1.0 | 0.6 | | | | | | |
| ECQE4473□F() | 0.047 | 12.0 | 5.0 | 8.3 | 13.3 | 10.0 | 10.0 | 1.0 | 0.6 | | | | | | |
| ECQE4563□F() | 0.056 | 12.0 | 5.0 | 10.0 | 15.0 | 10.0 | 10.0 | 1.0 | 0.6 | | | | | | |
| ECQE4683□F() | 0.068 | 12.0 | 5.4 | 10.5 | 15.5 | 10.0 | 10.0 | 1.0 | 0.6 | | | | | | |
| ECQE4823□F() | 0.082 | 12.0 | 5.8 | 11.0 | 16.0 | 10.0 | 10.0 | 1.0 | 0.6 | | | | | | |
| ECQE4104□F() | 0.10 | 12.0 | 6.3 | 12.0 | 17.0 | 10.0 | 10.0 | 1.0 | 0.6 | - | 500 | 500 | | | |
| ECQE4124□F() | 0.12 | 18.5 | 5.0 | 10.0 | 15.0 | 15.0 | 10.0 | 1.0 | 0.6 | | | | | | |
| ECQE4154□F() | 0.15 | 18.5 | 5.0 | 12.4 | 17.4 | 15.0 | 10.0 | 1.0 | 0.6 | | | | | | |
| ECQE4184□F() | 0.18 | 18.5 | 5.4 | 12.5 | 17.5 | 15.0 | 10.0 | 1.0 | 0.6 | | | | | | |
| ECQE4224□F() | 0.22 | 18.5 | 5.9 | 13.0 | 18.0 | 15.0 | 10.0 | 1.0 | 0.6 | | | | | | |
| ECQE4274□F() | 0.27 | 18.5 | 6.5 | 14.3 | 19.3 | 15.0 | 10.0 | 1.0 | 0.8 | | | | | | |
| ECQE4334□F() | 0.33 | 18.5 | 7.0 | 14.9 | 19.9 | 15.0 | 10.0 | 1.0 | 0.8 | | | | | | |
| ECQE4394□F() | 0.39 | 18.5 | 7.5 | 15.4 | 20.4 | 15.0 | 10.0 | 1.0 | 0.8 | | | | | | |
| ECQE4474□F() | 0.47 | 18.5 | 7.8 | 17.0 | 22.0 | 15.0 | 10.0 | 1.0 | 0.8 | | | | | | |
| ECQE4564□F() | 0.56 | 26.0 | 6.5 | 16.0 | 21.0 | 22.5 | 15.0 | 1.0 | 0.8 | | | | | | |
| ECQE4684□F() | 0.68 | 26.0 | 7.0 | 16.5 | 21.5 | 22.5 | 15.0 | 1.0 | 0.8 | | | | | | |
| ECQE4824□F() | 0.82 | 26.0 | 7.9 | 17.3 | 22.3 | 22.5 | 15.0 | 1.0 | 0.8 | | | | | | |
| ECQE4105□F() | 1.0 | 26.0 | 8.5 | 18.0 | 23.0 | 22.5 | 15.0 | 1.0 | 0.8 | | | | | | |
| ECQE4125□F() | 1.2 | 26.0 | 9.5 | 18.9 | 23.9 | 22.5 | 15.0 | 1.0 | 0.8 | | | | | | |
| ECQE4155□F() | 1.5 | 31.0 | 9.5 | 19.0 | 24.0 | 27.5 | 22.5 | 1.0 | 0.8 | | | | | | |
| ECQE4185□F() | 1.8 | 31.0 | 11.0 | 20.5 | 25.5 | 27.5 | 22.5 | 1.5 | 0.8 | | | | | | |
| ECQE4225□F() | 2.2 | 31.0 | 11.0 | 22.0 | 27.0 | 27.5 | 22.5 | 1.5 | 0.8 | | | | | | |

* □ : Capacitance tolerance code
() : Suffix for lead crimped or taped type

Style D : 0.010 μ F to 0.10 μ F
Style B : 0.12 μ F to 2.2 μ F

Rating · Dimensions · Quantity

● Rated voltage : 630 V.DC, Capacitance tolerance : ± 5 % (J), ± 10 % (K)

| Part No. | Cap. (μ F) | Dimensions (mm) | | | | | | | | Min. order Q'ty | | | | | |
|---------------|--------------------|-----------------|--------|----------|--------------|----------|--------------|----------|--------------|-----------------|----------|---------------|---------------|-----------------|------|
| | | L max. | T max. | H max. | | F | | S | | G max. | ϕ d | Taping | | | Bulk |
| | | | | Straight | Crimped lead | Straight | Crimped lead | Straight | Crimped lead | | | Standard 5 mm | Odd size 5 mm | Odd size 7.5 mm | |
| ECQE6102□F() | 0.0010 | 10.0 | 4.5 | 9.5 | 14.5 | 7.5 | 5.0 | 1.0 | 0.6 | 1000 | - | 1000 | 500 | | |
| ECQE6122□F() | 0.0012 | 10.0 | 4.5 | 10.0 | 15.0 | 7.5 | 5.0 | 1.0 | 0.6 | | | | | | |
| ECQE6152□F() | 0.0015 | 10.0 | 4.5 | 10.0 | 15.0 | 7.5 | 5.0 | 1.0 | 0.6 | | | | | | |
| ECQE6182□F() | 0.0018 | 10.0 | 4.5 | 10.0 | 15.0 | 7.5 | 5.0 | 1.0 | 0.6 | | | | | | |
| ECQE6222□F() | 0.0022 | 10.0 | 4.5 | 10.0 | 15.0 | 7.5 | 5.0 | 1.0 | 0.6 | | | | | | |
| ECQE6272□F() | 0.0027 | 10.0 | 4.5 | 10.0 | 15.0 | 7.5 | 5.0 | 1.0 | 0.6 | | | | | | |
| ECQE6332□F() | 0.0033 | 10.0 | 4.5 | 10.0 | 15.0 | 7.5 | 5.0 | 1.0 | 0.6 | | | | | | |
| ECQE6392□F() | 0.0039 | 10.0 | 4.5 | 10.0 | 15.0 | 7.5 | 5.0 | 1.0 | 0.6 | | | | | | |
| ECQE6472□F() | 0.0047 | 12.0 | 4.5 | 10.0 | 15.0 | 10.0 | 7.5 | 1.0 | 0.6 | | | | | | |
| ECQE6562□F() | 0.0056 | 12.0 | 4.5 | 10.0 | 15.0 | 10.0 | 7.5 | 1.0 | 0.6 | | | | | | |
| ECQE6682□F() | 0.0068 | 12.0 | 4.9 | 10.0 | 15.0 | 10.0 | 7.5 | 1.0 | 0.6 | | | | | | |
| ECQE6822□F() | 0.0082 | 12.0 | 4.5 | 10.0 | 15.0 | 10.0 | 7.5 | 1.0 | 0.6 | | | | | | |
| ECQE6103□F() | 0.010 | 12.0 | 4.5 | 7.5 | 12.5 | 10.0 | 10.0 | 1.0 | 0.6 | | | | | | |
| ECQE6123□F() | 0.012 | 12.0 | 4.5 | 7.8 | 12.8 | 10.0 | 10.0 | 1.0 | 0.6 | | | | | | |
| ECQE6153□F() | 0.015 | 12.0 | 5.0 | 8.2 | 13.2 | 10.0 | 10.0 | 1.0 | 0.6 | | | | | | |
| ECQE6183□F() | 0.018 | 12.0 | 4.9 | 10.0 | 15.0 | 10.0 | 10.0 | 1.0 | 0.6 | | | | | | |
| ECQE6223□F() | 0.022 | 12.0 | 5.3 | 10.5 | 15.5 | 10.0 | 10.0 | 1.0 | 0.6 | | | | | | |
| ECQE6273□F() | 0.027 | 12.0 | 5.5 | 10.9 | 15.9 | 10.0 | 10.0 | 1.0 | 0.6 | | | | | | |
| ECQE6333□F() | 0.033 | 12.0 | 6.0 | 11.9 | 16.9 | 10.0 | 10.0 | 1.0 | 0.6 | | | | | | |
| ECQE6393□F() | 0.039 | 12.0 | 6.0 | 13.4 | 18.4 | 10.0 | 10.0 | 1.0 | 0.6 | | | | | | |
| ECQE6473□F() | 0.047 | 12.0 | 6.5 | 13.5 | 18.5 | 10.0 | 10.0 | 1.0 | 0.6 | | | | | | |
| ECQE6563□F() | 0.056 | 18.5 | 5.4 | 10.5 | 15.5 | 15.0 | 10.0 | 1.0 | 0.6 | | | | | | |
| ECQE6683□F() | 0.068 | 18.5 | 5.8 | 11.0 | 16.0 | 15.0 | 10.0 | 1.0 | 0.6 | | | | | | |
| ECQE6823□F() | 0.082 | 18.5 | 6.5 | 12.0 | 17.0 | 15.0 | 10.0 | 1.0 | 0.6 | | | | | | |
| ECQE6104□F() | 0.10 | 18.5 | 6.3 | 14.0 | 19.0 | 15.0 | 10.0 | 1.0 | 0.6 | | | | | | |
| ECQE6124□F() | 0.12 | 18.5 | 6.3 | 14.5 | 19.5 | 15.0 | 10.0 | 1.0 | 0.8 | | | | | | |
| ECQE6154□F() | 0.15 | 18.5 | 7.5 | 15.4 | 20.4 | 15.0 | 10.0 | 1.0 | 0.8 | | | | | | |
| ECQE6184□F() | 0.18 | 18.5 | 8.0 | 16.0 | 21.0 | 15.0 | 10.0 | 1.0 | 0.8 | | | | | | |
| ECQE6224□F() | 0.22 | 18.5 | 9.0 | 16.5 | 21.5 | 15.0 | 10.0 | 1.0 | 0.8 | | | | | | |
| ECQE6274□F() | 0.27 | 26.0 | 7.0 | 16.5 | 21.5 | 22.5 | 15.0 | 1.0 | 0.8 | | | | | | |
| ECQE6334□F() | 0.33 | 26.0 | 7.8 | 17.0 | 22.0 | 22.5 | 15.0 | 1.0 | 0.8 | | | | | | |
| ECQE6394□F() | 0.39 | 26.0 | 8.5 | 17.9 | 22.9 | 22.5 | 15.0 | 1.0 | 0.8 | | | | | | |
| ECQE6474□F() | 0.47 | 26.0 | 9.3 | 18.5 | 23.5 | 22.5 | 15.0 | 1.0 | 0.8 | | | | | | |
| ECQE6564□F() | 0.56 | 26.0 | 10.0 | 20.0 | 25.0 | 22.5 | 15.0 | 1.5 | 0.8 | | | | | | |
| ECQE6684□F() | 0.68 | 26.0 | 11.5 | 21.0 | 26.0 | 22.5 | 15.0 | 1.5 | 0.8 | | | | | | |
| ECQE6824□F() | 0.82 | 31.0 | 11.3 | 20.5 | 25.5 | 27.5 | 22.5 | 1.5 | 0.8 | | | | | | |
| ECQE6105□F() | 1.0 | 31.0 | 12.5 | 21.9 | 26.9 | 27.5 | 22.5 | 1.5 | 0.8 | | | | | | |
| ECQE6125□F() | 1.2 | 31.0 | 13.5 | 23.0 | 28.0 | 27.5 | 22.5 | 1.5 | 0.8 | | | | | | |
| ECQE6155□F() | 1.5 | 31.0 | 15.3 | 24.7 | 29.7 | 27.5 | 22.5 | 1.5 | 0.8 | | | | | | |
| ECQE6185□F() | 1.8 | 31.0 | 16.8 | 27.0 | 32.0 | 27.5 | 22.5 | 1.5 | 0.8 | | | | | | |
| ECQE6225□F() | 2.2 | 31.0 | 19.5 | 29.0 | 34.0 | 27.5 | 22.5 | 1.5 | 0.8 | | | | | | |

* □ : Capacitance tolerance code
() : Suffix for lead crimped or taped type

Style D : 0.010 μ F to 0.047 μ F
Style B : 0.0010 μ F to 0.0082 μ F
0.056 μ F to 2.2 μ F

Rating · Dimensions · Quantity

● Rated voltage : 1000 V.DC, (Note) 125 V.AC, Capacitance tolerance : $\pm 5\%$ (J), $\pm 10\%$ (K)

| Part No. | Cap. (μ F) | Dimensions (mm) | | | | | | | | Min. order Q'ty | |
|----------------|--------------------|-----------------|--------|----------|--------------|------|------|--------|----------|-----------------|------|
| | | L max. | T max. | H max. | | F | S | G max. | ϕ d | Taping | Bulk |
| | | | | Straight | Crimped lead | | | | | Straight | |
| ECQE10103□F() | 0.010 | 15.5 | 6.0 | 11.0 | 16.0 | 12.5 | 12.5 | 1.0 | 0.6 | 500 | 500 |
| ECQE10123□F() | 0.012 | 15.5 | 6.0 | 12.0 | 17.0 | 12.5 | 12.5 | 1.0 | 0.6 | | |
| ECQE10153□F() | 0.015 | 15.5 | 7.0 | 12.5 | 17.5 | 12.5 | 12.5 | 1.0 | 0.6 | | |
| ECQE10183□F() | 0.018 | 15.5 | 7.5 | 13.0 | 20.0 | 12.5 | 12.5 | 1.0 | 0.8 | 400 | |
| ECQE10223□F() | 0.022 | 15.5 | 7.5 | 15.5 | 22.5 | 12.5 | 12.5 | 1.0 | 0.8 | 500 | |
| ECQE10273□F() | 0.027 | 21.0 | 6.0 | 13.0 | 18.0 | 17.5 | 12.5 | 1.0 | 0.8 | | |
| ECQE10333□F() | 0.033 | 21.0 | 6.5 | 14.0 | 19.0 | 17.5 | 12.5 | 1.0 | 0.8 | | |
| ECQE10393□F() | 0.039 | 21.0 | 7.0 | 14.5 | 19.5 | 17.5 | 12.5 | 1.0 | 0.8 | 400 | |
| ECQE10473□F() | 0.047 | 21.0 | 7.5 | 15.5 | 20.5 | 17.5 | 12.5 | 1.0 | 0.8 | | |
| ECQE10563□F() | 0.056 | 21.0 | 7.5 | 17.0 | 22.0 | 17.5 | 12.5 | 1.0 | 0.8 | | |
| ECQE10683□F() | 0.068 | 21.0 | 8.5 | 18.0 | 23.0 | 17.5 | 12.5 | 1.0 | 0.8 | 300 | |
| ECQE10823□F() | 0.082 | 21.0 | 9.0 | 18.5 | 23.5 | 17.5 | 12.5 | 1.0 | 0.8 | | |
| ECQE10104□F() | 0.10 | 21.0 | 10.0 | 20.0 | 25.0 | 17.5 | 12.5 | 1.0 | 0.8 | | |
| ECQE10124□F() | 0.12 | 26.0 | 9.0 | 18.5 | 23.5 | 22.5 | 17.5 | 1.0 | 0.8 | - | |
| ECQE10154□F() | 0.15 | 26.0 | 10.0 | 20.0 | 25.0 | 22.5 | 17.5 | 1.5 | 0.8 | | |
| ECQE10184□F() | 0.18 | 26.0 | 10.5 | 22.0 | 27.0 | 22.5 | 17.5 | 1.5 | 0.8 | | |
| ECQE10224□F() | 0.22 | 26.0 | 12.0 | 23.0 | 28.0 | 22.5 | 17.5 | 1.5 | 0.8 | | |

* □ : Capacitance tolerance code
() : Suffix for lead crimped or taped type

Style D : 0.010 μ F to 0.022 μ F
Style B : 0.027 μ F to 0.22 μ F

Note) This type has two rated voltage, one is DC rated voltage another is AC rated voltage.
DC rated voltage is 1000 V.DC, AC rated voltage is 125 V.AC.
Making for rated voltage is "1000 V, 125 V \sim "

When capacitors use in secondary side of power source, and in case of applying voltage in altering current (50 Hz or 60 Hz sine wave) to a capacitor, please refer to the page of "Permissible voltage (R.M.S) in altering current corresponding to DC rated voltage".

When capacitors use in primary side of power source, the rated voltage is shown 125 V.AC. Voltage to be applied to capacitors in only sine wave (50 Hz or 60 Hz).

AC rated capacitors complying with clause 1 of "Electrical Appliance and Material Safety Law". And not complying with clause 2 of "Electrical Appliance and Material Safety Law", in this case please use ECQUA type or ECQUL type.

Rating · Dimensions · Quantity

● Rated voltage : 1250 V.DC, (Note) 125 V.AC, Capacitance tolerance : $\pm 5\%$ (J), $\pm 10\%$ (K)

| Part No. | Cap. (μF) | Dimensions (mm) | | | | | | | | Min. order Q'ty | |
|----------------|---------------------------|-----------------|--------|----------|--------------|------|------|--------|----------|-----------------|------|
| | | L max. | T max. | H max. | | F | S | G max. | ϕd | Taping | Bulk |
| | | | | Straight | Crimped lead | | | | | 7.5 mm | |
| ECQE12102□F() | 0.0010 | 15.5 | 6.0 | 11.0 | 16.0 | 12.5 | 10.0 | 1.0 | 0.6 | 500 | |
| ECQE12122□F() | 0.0012 | 15.5 | 6.0 | 11.0 | 16.0 | 12.5 | 10.0 | 1.0 | 0.6 | | |
| ECQE12152□F() | 0.0015 | 15.5 | 6.0 | 11.0 | 16.0 | 12.5 | 10.0 | 1.0 | 0.6 | | |
| ECQE12182□F() | 0.0018 | 15.5 | 6.0 | 11.0 | 16.0 | 12.5 | 10.0 | 1.0 | 0.6 | | |
| ECQE12222□F() | 0.0022 | 15.5 | 6.0 | 11.5 | 16.5 | 12.5 | 10.0 | 1.0 | 0.6 | | |
| ECQE12272□F() | 0.0027 | 15.5 | 6.5 | 12.0 | 17.0 | 12.5 | 10.0 | 1.0 | 0.6 | | |
| ECQE12332□F() | 0.0033 | 15.5 | 6.0 | 11.5 | 16.5 | 12.5 | 10.0 | 1.0 | 0.6 | | |
| ECQE12392□F() | 0.0039 | 15.5 | 6.5 | 12.0 | 17.0 | 12.5 | 10.0 | 1.0 | 0.6 | | |
| ECQE12472□F() | 0.0047 | 15.5 | 7.0 | 12.5 | 17.5 | 12.5 | 10.0 | 1.0 | 0.6 | | |
| ECQE12562□F() | 0.0056 | 15.5 | 7.5 | 13.0 | 18.0 | 12.5 | 10.0 | 1.0 | 0.6 | | |
| ECQE12682□F() | 0.0068 | 15.5 | 7.5 | 15.0 | 20.0 | 12.5 | 10.0 | 1.0 | 0.6 | 400 | |
| ECQE12822□F() | 0.0082 | 21.0 | 5.0 | 12.0 | 17.0 | 17.5 | 12.5 | 1.0 | 0.6 | | |
| ECQE12103□F() | 0.010 | 21.0 | 5.0 | 12.5 | 17.5 | 17.5 | 12.5 | 1.0 | 0.6 | 500 | 500 |
| ECQE12123□F() | 0.012 | 21.0 | 5.5 | 13.0 | 18.0 | 17.5 | 12.5 | 1.0 | 0.6 | | |
| ECQE12153□F() | 0.015 | 21.0 | 6.0 | 13.5 | 18.5 | 17.5 | 12.5 | 1.0 | 0.6 | | |
| ECQE12183□F() | 0.018 | 21.0 | 6.5 | 14.5 | 19.5 | 17.5 | 12.5 | 1.0 | 0.8 | | |
| ECQE12223□F() | 0.022 | 21.0 | 7.0 | 15.0 | 20.0 | 17.5 | 12.5 | 1.0 | 0.8 | | |
| ECQE12273□F() | 0.027 | 26.0 | 6.0 | 15.5 | 20.5 | 22.5 | 17.5 | 1.0 | 0.8 | | |
| ECQE12333□F() | 0.033 | 26.0 | 6.5 | 16.0 | 21.0 | 22.5 | 17.5 | 1.0 | 0.8 | - | |
| ECQE12393□F() | 0.039 | 26.0 | 7.0 | 16.5 | 21.5 | 22.5 | 17.5 | 1.0 | 0.8 | | |
| ECQE12473□F() | 0.047 | 26.0 | 8.0 | 17.0 | 22.0 | 22.5 | 17.5 | 1.0 | 0.8 | | |
| ECQE12563□F() | 0.056 | 31.0 | 7.5 | 17.0 | 22.0 | 27.5 | 22.5 | 1.0 | 0.8 | | |
| ECQE12683□F() | 0.068 | 31.0 | 8.0 | 17.5 | 22.5 | 27.5 | 22.5 | 1.0 | 0.8 | | |
| ECQE12823□F() | 0.082 | 31.0 | 9.0 | 18.5 | 23.5 | 27.5 | 22.5 | 1.0 | 0.8 | | |
| ECQE12104□F() | 0.10 | 31.0 | 10.0 | 19.5 | 24.5 | 27.5 | 22.5 | 1.0 | 0.8 | | |
| ECQE12124□F() | 0.12 | 31.0 | 11.5 | 20.5 | 25.5 | 27.5 | 22.5 | 1.5 | 0.8 | | |
| ECQE12154□F() | 0.15 | 31.0 | 12.0 | 23.0 | 28.0 | 27.5 | 22.5 | 1.5 | 0.8 | | |
| ECQE12184□F() | 0.18 | 31.0 | 13.0 | 24.5 | 29.5 | 27.5 | 22.5 | 1.5 | 0.8 | | |
| ECQE12224□F() | 0.22 | 31.0 | 14.5 | 26.5 | 31.5 | 27.5 | 22.5 | 1.5 | 0.8 | | |

* □ : Capacitance tolerance code
() : Suffix for lead crimped or taped type

Style D : 0.0010 μF to 0.0068 μF
Style B : 0.0082 μF to 0.22 μF

Note) This type has two rated voltage, one is DC rated voltage another is AC rated voltage.
DC rated voltage is 1250 V.DC, AC rated voltage is 125 V.AC.
Making for rated voltage is "1250 V, 125 V \sim "

When capacitors use in secondary side of power source, and in case of applying voltage in altering current (50 Hz or 60 Hz sine wave) to a capacitor, please refer to the page of "Permissible voltage (R.M.S) in altering current corresponding to DC rated voltage".

When capacitors use in primary side of power source, the rated voltage is shown 125 V.AC. Voltage to be applied to capacitors in only sine wave (50 Hz or 60 Hz).

AC rated capacitors complying with clause 1 of "Electrical Appliance and Material Safety Law". And not complying with clause 2 of "Electrical Appliance and Material Safety Law", in this case please use ECQUA type or ECQUL type.

Rating · Dimensions · Quantity

- Rated voltage : 125 V.AC, Capacitance tolerance : $\pm 5\%$ (J), $\pm 10\%$ (K)
Noise suppression Capacitors (Across-the-line)

| Part No. | Cap. (μ F) | Dimensions (mm) | | | | | | | | Min. order Q'ty | | | | | |
|----------------|--------------------|-----------------|--------|----------|--------------|----------|--------------|----------|----------|-----------------|----------|---------------|---------------|-----------------|------|
| | | L max. | T max. | H max. | | F | | S | | G max. | ϕ d | Taping | | | Bulk |
| | | | | Straight | Crimped lead | Straight | Crimped lead | Straight | Straight | | | Standard 5 mm | Odd size 5 mm | Odd size 7.5 mm | |
| ECQE1A103□F() | 0.010 | 10.5 | 4.5 | 7.5 | 12.5 | 7.5 | 7.5 | 7.5 | 1.0 | 0.6 | 1000 | - | 1000 | 500 | |
| ECQE1A123□F() | 0.012 | 10.5 | 4.4 | 7.5 | 12.5 | 7.5 | 7.5 | 7.5 | 1.0 | 0.6 | | | | | |
| ECQE1A153□F() | 0.015 | 10.5 | 4.4 | 7.5 | 12.5 | 7.5 | 7.5 | 7.5 | 1.0 | 0.6 | | | | | |
| ECQE1A183□F() | 0.018 | 10.5 | 4.4 | 7.5 | 12.5 | 7.5 | 7.5 | 7.5 | 1.0 | 0.6 | | | | | |
| ECQE1A223□F() | 0.022 | 10.5 | 4.4 | 7.5 | 12.5 | 7.5 | 7.5 | 7.5 | 1.0 | 0.6 | | | | | |
| ECQE1A273□F() | 0.027 | 10.5 | 4.4 | 7.5 | 12.5 | 7.5 | 7.5 | 7.5 | 1.0 | 0.6 | | | | | |
| ECQE1A333□F() | 0.033 | 10.5 | 4.5 | 7.8 | 12.8 | 7.5 | 7.5 | 7.5 | 1.0 | 0.6 | | | | | |
| ECQE1A393□F() | 0.039 | 10.5 | 4.5 | 7.8 | 12.8 | 7.5 | 7.5 | 7.5 | 1.0 | 0.6 | | | | | |
| ECQE1A473□F() | 0.047 | 10.5 | 5.5 | 8.0 | 13.0 | 7.5 | 7.5 | 7.5 | 1.0 | 0.6 | 500 | | | | |
| ECQE1A563□F() | 0.056 | 10.5 | 5.9 | 8.5 | 13.5 | 7.5 | 7.5 | 7.5 | 1.0 | 0.6 | | | | | |
| ECQE1A683□F() | 0.068 | 10.5 | 6.3 | 9.4 | 14.4 | 7.5 | 7.5 | 7.5 | 1.0 | 0.6 | | | | | |

* □ : Capacitance tolerance code
() : Suffix for lead crimped or taped type

Style D : 0.010 μ F to 0.068 μ F

Notice for AC rated

AC rated capacitors complying with clause 1 of "Electrical Appliance and Material Safety Law".
As for clause 2 of "Electrical Appliance and Material Safety Law", please use ECQUA type or ECQUL type.

When using these capacitors as a across-the-line capacitor, it shall be required to follow either item 1. or item 2. condition.

1. Capacitor shall be connected in parallel with varistor (Specified varistor voltage in table 1.)
2. Voltage applied for capacitor shall not exceed other than specified in table 1, when using these capacitors

Table 1

| Capacitor rated voltage | Varistor voltage | Pulse voltage |
|-------------------------|------------------|----------------------|
| 125 V.AC | 250 V | 250 V _{0-P} |

Rating · Dimensions · Quantity

- Rated voltage : 250 V.AC, Capacitance tolerance : $\pm 5\%$ (J), $\pm 10\%$ (K)
Noise suppression Capacitors (Across-the-line)

| Part No. | Cap. (μ F) | Dimensions (mm) | | | | | | | | Min. order Q'ty | | | | |
|------------------|--------------------|-----------------|--------|----------|--------------|----------|--------------|----------|--------------|-----------------|----------|---------------|-----------------|------|
| | | L max. | T max. | H max. | | F | | S | | G max. | ϕ d | Taping | | Bulk |
| | | | | Straight | Crimped lead | Straight | Crimped lead | Straight | Crimped lead | | | Standard 5 mm | Odd size 7.5 mm | |
| ECQE2A103□F() | 0.010 | 12.5 | 5.5 | 10.8 | 15.8 | 10.0 | 10.0 | 1.0 | 0.6 | 500 | 1000 | 500 | | |
| ECQE2A123□F() | 0.012 | 12.5 | 6.0 | 11.5 | 16.5 | 10.0 | 10.0 | 1.0 | 0.6 | | | | | |
| ECQE2A153□F() | 0.015 | 12.5 | 6.3 | 9.9 | 14.9 | 10.0 | 10.0 | 1.0 | 0.6 | | | | | |
| ECQE2A183□F() | 0.018 | 12.5 | 6.0 | 11.9 | 16.9 | 10.0 | 10.0 | 1.0 | 0.6 | | | | | |
| ECQE2A223□F() | 0.022 | 12.5 | 6.0 | 11.5 | 16.5 | 10.0 | 10.0 | 1.0 | 0.6 | | | | | |
| ECQE2A273□F() | 0.027 | 12.5 | 5.5 | 10.9 | 15.9 | 10.0 | 10.0 | 1.0 | 0.6 | | | | | |
| ECQE2A333□F() | 0.033 | 12.5 | 6.0 | 11.9 | 16.9 | 10.0 | 10.0 | 1.0 | 0.6 | | | | | |
| ECQE2A393□F() | 0.039 | 12.5 | 6.0 | 13.4 | 18.4 | 10.0 | 10.0 | 1.0 | 0.6 | | | | | |
| ECQE2A473□F() | 0.047 | 12.5 | 6.5 | 14.4 | 19.4 | 10.0 | 10.0 | 1.0 | 0.6 | | | | | |
| ECQE2A563□F() | 0.056 | 18.5 | 5.4 | 10.5 | 15.5 | 15.0 | 10.0 | 1.0 | 0.6 | 500 | 500 | | | |
| ECQE2A683□F() | 0.068 | 18.5 | 5.8 | 11.0 | 16.0 | 15.0 | 10.0 | 1.0 | 0.6 | | | | | |
| ECQE2A823□F() | 0.082 | 18.5 | 6.3 | 12.0 | 17.0 | 15.0 | 10.0 | 1.0 | 0.6 | | | | | |
| ECQE2A104□F() | 0.10 | 18.5 | 6.3 | 14.0 | 19.0 | 15.0 | 10.0 | 1.0 | 0.6 | | | | | |
| ECQE2A124□F() | 0.12 | 18.5 | 6.8 | 14.5 | 19.5 | 15.0 | 10.0 | 1.0 | 0.8 | | | | | |
| ECQE2A154□F() | 0.15 | 18.5 | 7.5 | 15.4 | 20.4 | 15.0 | 10.0 | 1.0 | 0.8 | | | | | |
| ECQE2A184□F() | 0.18 | 18.5 | 8.0 | 16.0 | 21.0 | 15.0 | 10.0 | 1.0 | 0.8 | | | | | |
| ECQE2A224□F() | 0.22 | 18.5 | 9.0 | 16.9 | 21.9 | 15.0 | 10.0 | 1.0 | 0.8 | | | | | |
| ECQE2A274□F() | 0.27 | 26.0 | 7.0 | 16.5 | 21.5 | 22.5 | 15.0 | 1.0 | 0.8 | - | - | | | |
| ECQE2A334□F() | 0.33 | 26.0 | 7.8 | 17.0 | 22.0 | 22.5 | 15.0 | 1.0 | 0.8 | | | | | |
| ECQE2A394□F() | 0.39 | 26.0 | 8.5 | 17.9 | 22.9 | 22.5 | 15.0 | 1.0 | 0.8 | | | | | |
| ECQE2A474□F() | 0.47 | 26.0 | 9.3 | 18.5 | 23.5 | 22.5 | 15.0 | 1.0 | 0.8 | | | | | |
| ECQE2A564P()() | 0.56 | 26.0 | 10.0 | 20.0 | - | 22.5 | - | 1.0 | 0.8 | | | | | |
| ECQE2A684P()() | 0.68 | 26.0 | 11.5 | 21.0 | - | 22.5 | - | 1.0 | 0.8 | | | | | |
| ECQE2A824P()() | 0.82 | 26.0 | 13.0 | 22.5 | - | 22.5 | - | 1.0 | 0.8 | | | | | |
| ECQE2A105P()() | 1.0 | 31.0 | 12.5 | 21.9 | - | 27.5 | - | 1.5 | 0.8 | | | | | |
| ECQE2A125P()() | 1.2 | 31.0 | 13.5 | 23.0 | - | 27.5 | - | 1.5 | 0.8 | | | | | |
| ECQE2A155P()() | 1.5 | 31.0 | 15.3 | 24.7 | - | 27.5 | - | 1.5 | 0.8 | | | | | |
| ECQE2A185P()() | 1.8 | 31.0 | 16.8 | 27.0 | - | 27.5 | - | 1.5 | 0.8 | | | | | |
| ECQE2A225P()() | 2.2 | 31.0 | 19.5 | 29.0 | - | 27.5 | - | 1.5 | 0.8 | | | | | |

* □ : Capacitance tolerance code
() : Suffix for lead crimped or taped type

Style D : 0.010 μ F to 0.047 μ F
Style B : 0.056 μ F to 0.47 μ F

* Please consult us about Crimped lead type of 0.56 μ F to 2.2 μ F.

Notice for AC rated

AC rated capacitors complying with clause 1 of "Electrical Appliance and Material Safety Law".
As for clause 2 of "Electrical Appliance and Material Safety Law", please use ECQUA type or ECQUL type.

When using these capacitors as a across-the-line capacitor, it shall be required to follow either item 1. or item 2. condition.

1. Capacitor shall be connected in parallel with varistor (Specified varistor voltage in table 1.)
2. Voltage applied for capacitor shall not exceed other than specified in table 1, when using these capacitors

Table 1

| Capacitor rated voltage | Varistor voltage | Pulse voltage |
|-------------------------|------------------|----------------------|
| 250 V.AC | 470 V | 630 V _{0,P} |