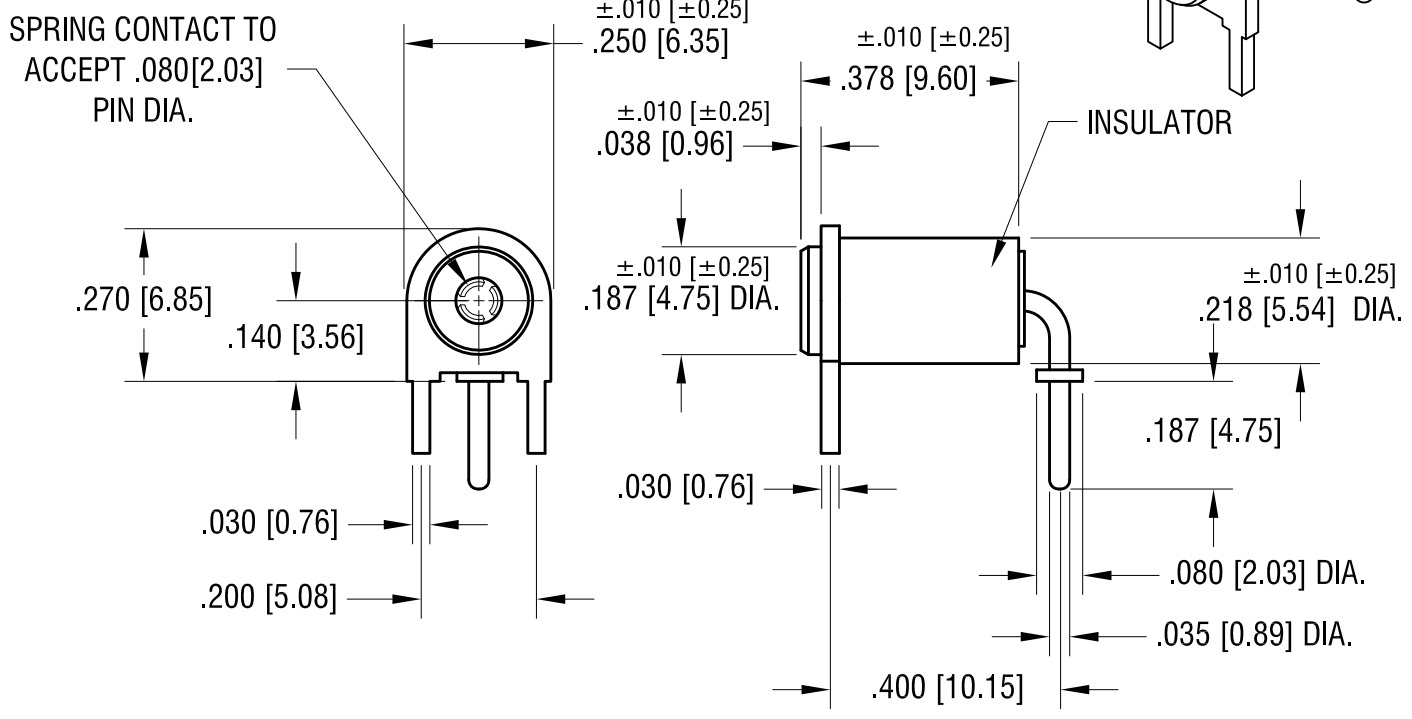
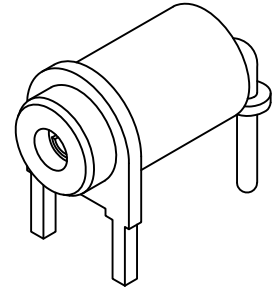
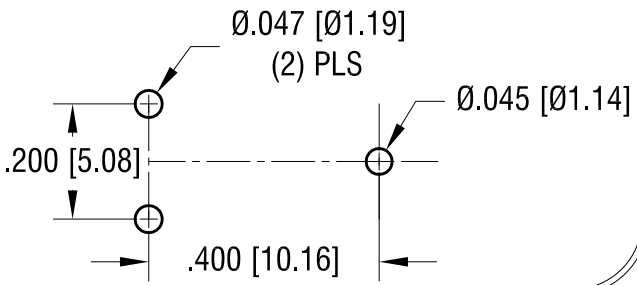


THIS DOCUMENT IS THE PROPERTY OF KEYSTONE ELECTRONICS CORP. AND SHALL NOT BE REPRODUCED, DISTRIBUTED OR USED AS A BASIS FOR MANUFACTURE WITHOUT PRIOR WRITTEN PERMISSION FROM KEYSTONE ELECTRONICS CORP.

MOUNTING DETAIL



- NOTES:
1. TERMINAL JACK: MAT'L - BERYLLIUM COPPER (QQ-C-533)
 2. BUSHING: MAT'L - PTFE
 3. MOUNTING BRACKET: MAT'L - BRASS

PART NO.	COLOR
11015	WHITE
11015-R	RED
11015-B	BLACK

KEYSTONE ELECTRONICS CORP.
 www.keyelco.com • ASTORIA, N.Y. 11105-2017 • Tel (718) 956-8900

PART NAME: HORIZONTAL INSULATED TEST JACK

MATERIAL: AS NOTED

FINISH: GOLD PLATE

DRN BY: N.T. DATE: 7.10.07

APP'D: LN SCALE: 3X

TOLERANCES INCH [MM]: DECIMAL ±.005 [±0.15] ANGULAR ± 1° UNLESS OTHERWISE SPECIFIED

CODE: C/M DWG NO. 11015-

10.14.11	CHANGE AS PER ECN 11-133	A
DATE	DESCRIPTION	REV.