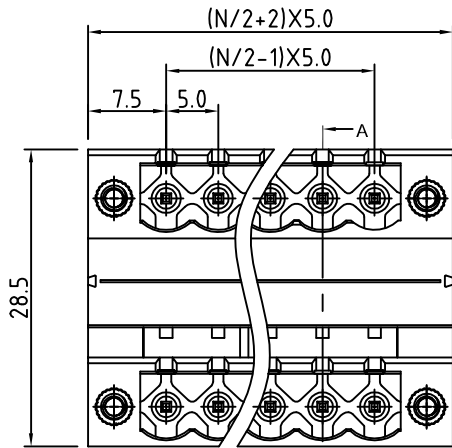
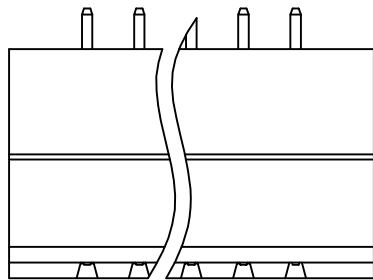
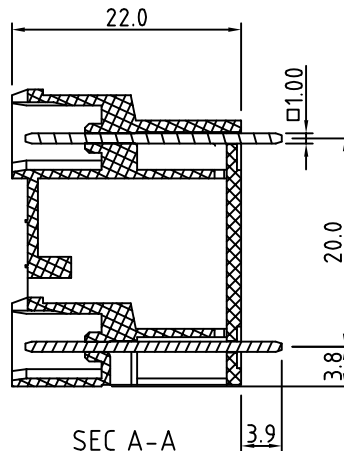


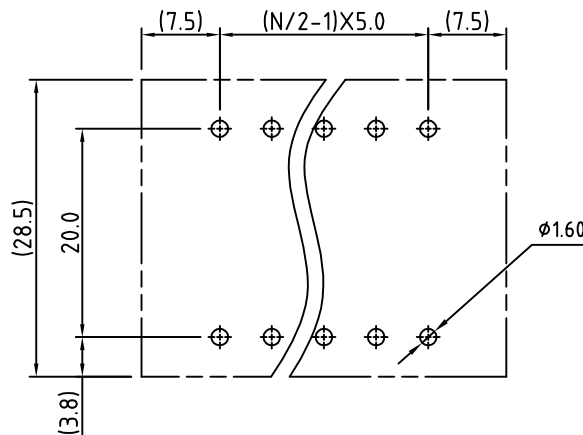
|  |      |             |          |
|--|------|-------------|----------|
| SIGN   | DATE | DESCRIPTION | APPROVER |
|  |      |             |          |
| THIS IS CAD DRAWING, DO NOT REVISE MANUALLY!!! |      |             |          |



N=NUMBER OF POLES



P.C.B LAYOUT



**Material**

- Terminal body (Contact pin): Brass Whit Tin plated
- Flange screw nut: Brass M2.5
- Insulator (housing): Thermoplastic (UL94V-0)

**Electrical cULus**

- Voltage rating: 300VAC
- Current rating: 20A
- Withstanding Voltage: 1.6KV
- Operating temperature: -30°C to +105°C
- Soldering temperature: 250°C±10°C/5 Sec
- Safety Approval: US

RoHS Compliant

PART NUMBER:

**OSTVLXX7250**

No. of Poles

04: 2x02 Poles

06: 2x03 Poles

:

48 2x24 Poles

COLOR

0: Black

5: Green (Standard)

6: Blue

8: Grey

THESE DRAWINGS AND SPECIFICATIONS ARE THE PROPERTY OF ON-SHORE TECHNOLOGY, INC. AND SHALL NOT BE REPRODUCED, COPIED OR USED IN ANY MANNER WITHOUT THE PRIOR WRITTEN CONSENT OF ON-SHORE TECHNOLOGY, INC.



|                       |                      |  |                      |              |            |
|-----------------------|----------------------|--|----------------------|--------------|------------|
| TITLE                 |                      | OSTVL-5.0mm Series With Flange vertical 2x2p-2x24p |                      |              |            |
| PART NO.              | OSTVLXX7250          | DWG NO.  | OSTVLXX7250.DWG      |              |            |
| APPROVED              | CHECKED              | DESIGNED   | DRAWN                | CUST NO.     | Tolerance  |
| Shi Jun<br>2006.10.23 | Marvin<br>2006.10.23 | Marvin<br>2006.10.23                               | Marvin<br>2006.10.23 |              | X. ±0.50   |
|                       |                      |  |                      |              | X.X ±0.30  |
|                       |                      |  |                      |              | X.XX ±0.10 |
|                       |                      |  |                      |              | X° ±1°     |
|                       |                      |  |                      | SHEET: 01/01 | REV.: D    |