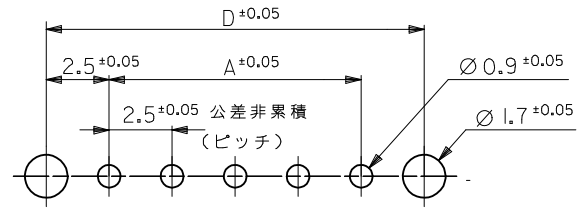
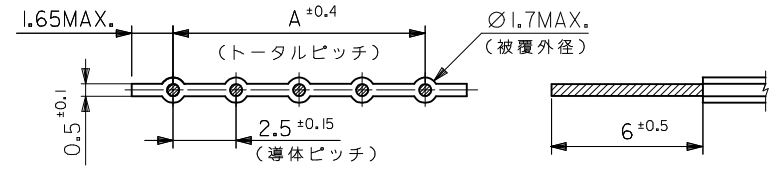


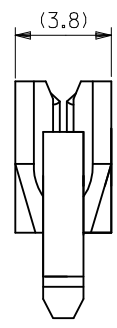
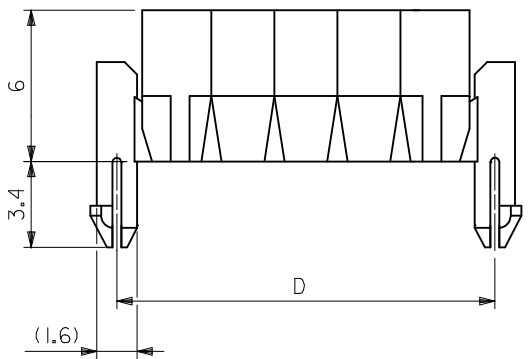
電線挿入図



基板取付穴推奨寸法  
( $t = 1.6 \pm 0.05$ )



適合電線推奨寸法

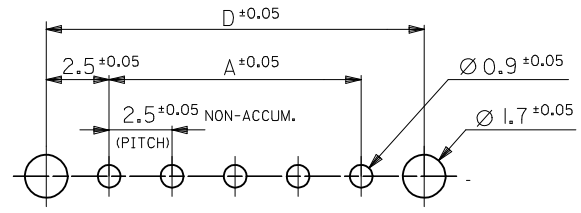
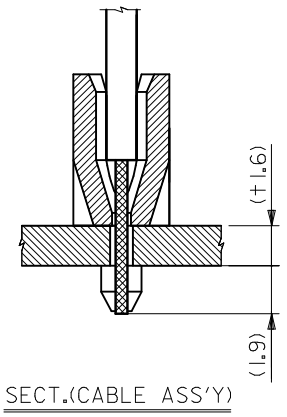
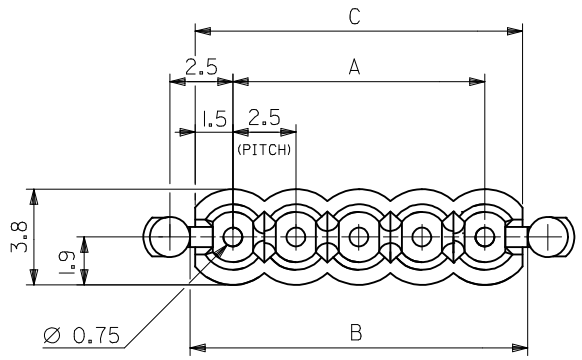


42.5	40.5	40.9	37.5	51052-1600	16
40.0	38.0	38.4	35.0	1500	15
37.5	35.5	35.9	32.5	1400	14
35.0	33.0	33.4	30.0	1300	13
32.5	30.5	30.9	27.5	1200	12
30.0	28.0	28.4	25.0	1100	11
27.5	25.5	25.9	22.5	1000	10
25.0	23.0	23.4	20.0	0900	9
22.5	20.5	20.9	17.5	0800	8
20.0	18.0	18.4	15.0	0700	7
17.5	15.5	15.9	12.5	0600	6
15.0	13.0	13.4	10.0	0500	5
12.5	10.5	10.9	7.5	0400	4
10.0	8.0	8.4	5.0	-0300	3
7.5	5.5	5.9	2.5	51052-0200	2
D	C	B	A	ENG. NO.	極数

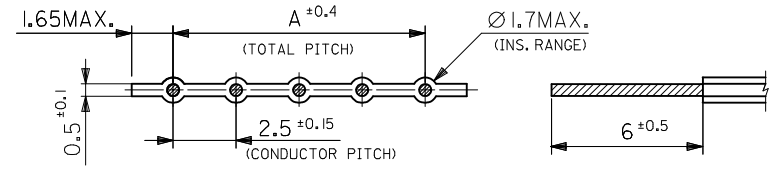
注記

1. 材料：ナイロン66, UL 94V-2
2. 適合電線：2.5mmピッチリボンケーブル  
AWG#24~26錫コート平行線
3. 生産国(トレードマーク)：日本(MXJ-大和, MXH-塩谷)  
マレーシア(MXL)
4. 適用電線被覆外形：φ1.7MAX.

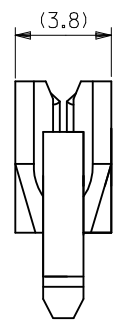
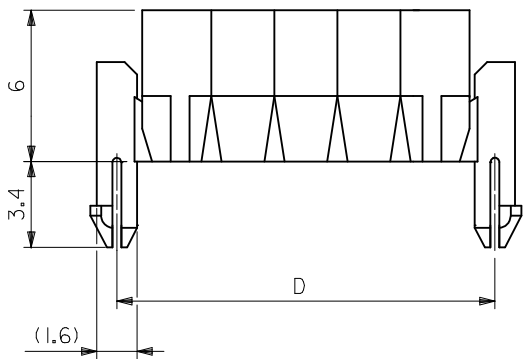
REVISED EC NO: J2014-0288 2013/09/04 DRWN:SSATO02 2013/09/04 CHKD:KASAKAWA 2013/09/04 APPR:NUKITA	DESCRIPTION REV	GENERAL TOLERANCES (UNLESS SPECIFIED)		DIMENSION STYLE MM ONLY		SCALE 5:1	DESIGN UNITS METRIC	THIRD ANGLE PROJECTION		
		10 UNDER	±0.2	DRAWN BY T. ITOH	DATE '97/7/4	TITLE 2.5MM PITCH CABLE HOLDER (FOR 6 MM STRIP LENGTH)				
		10 OVER 30 UNDER	±0.25	CHECKED BY M. FUKUSHIMA	DATE '97/7/4					
		30 OVER	±0.3	APPROVED BY NUKITA	DATE 2013/09/04					
ANGULAR ±3 °		DRAFT WHERE APPLICABLE MUST REMAIN WITHIN DIMENSIONS		MATERIAL NO. SEE CHART		THIS DRAWING CONTAINS INFORMATION THAT IS PROPRIETARY TO MOLEX INCORPORATED AND SHOULD NOT BE USED WITHOUT WRITTEN PERMISSION				



RECOMMENDED P.C. BOARD HOLE DIM.  
(t = 1.6 ± 0.05)



RECOMMENDED WIRE DIM.

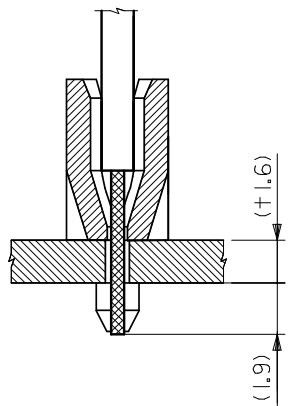
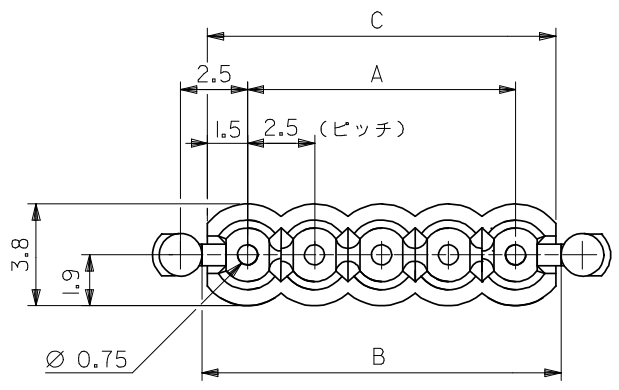


42.5	40.5	40.9	37.5	51052-1600	16
40.0	38.0	38.4	35.0	1500	15
37.5	35.5	35.9	32.5	1400	14
35.0	33.0	33.4	30.0	1300	13
32.5	30.5	30.9	27.5	1200	12
30.0	28.0	28.4	25.0	1100	11
27.5	25.5	25.9	22.5	1000	10
25.0	23.0	23.4	20.0	0900	9
22.5	20.5	20.9	17.5	0800	8
20.0	18.0	18.4	15.0	0700	7
17.5	15.5	15.9	12.5	0600	6
15.0	13.0	13.4	10.0	0500	5
12.5	10.5	10.9	7.5	0400	4
10.0	8.0	8.4	5.0	-0300	3
7.5	5.5	5.9	2.5	51052-0200	2
D	C	B	A	ENG. NO.	CKT.

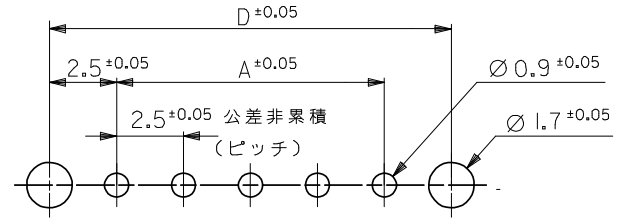
NOTES

- MATERIAL : NYLON 66, UL 94V-2
- APPLIED WIRE : 2.5mm PITCH RIBBON CABLE AWG#24~26 TIN TOP COATED WIRE
- PLACE OF MANUFACTURE (TRADE-MARK) : JAPAN (MXJ-YAMATO, MXH-SHIOYA) MALAYSIA (MXL)
- APPLICABLE WIRE INS. RANGE φ1.7MAX.

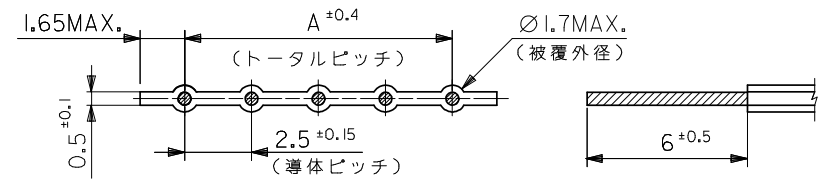
REVISED EC NO: J2014-0288 DRWN:SSATO02 CHKD:KASAKAWA APPR:NUKITA	DESCRIPTION 2013/09/04 2013/09/04 2013/09/04	GENERAL TOLERANCES (UNLESS SPECIFIED)		DIMENSION STYLE MM ONLY		SCALE 5:1	DESIGN UNITS METRIC	THIRD ANGLE PROJECTION		
		10 UNDER	±0.2	DRAWN BY T. ITO	DATE '97/7/4	TITLE 2.5MM PITCH CABLE HOLDER (FOR 6MM STRIP LENGTH)				
		10 OVER 30 UNDER	±0.25	CHECKED BY M. FUKUSHIMA	DATE '97/7/4					
		30 OVER	±0.3	APPROVED BY NUKITA	DATE 2013/09/04					
REV	DESCRIPTION	ANGULAR ±3 °		MATERIAL NO. SEE CHART		DOCUMENT NO. SD-51052-**-00		SHEET NO. 2 OF 2		
		DRAFT WHERE APPLICABLE MUST REMAIN WITHIN DIMENSIONS		SIZE A3		THIS DRAWING CONTAINS INFORMATION THAT IS PROPRIETARY TO MOLEX INCORPORATED AND SHOULD NOT BE USED WITHOUT WRITTEN PERMISSION				



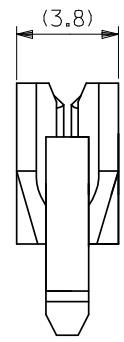
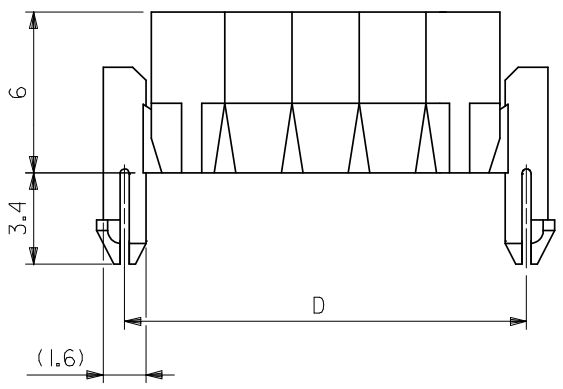
電線挿入図



基板取付穴推奨寸法  
(+1.6±0.05)



適合電線推奨寸法

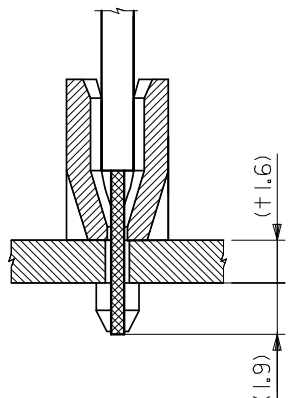
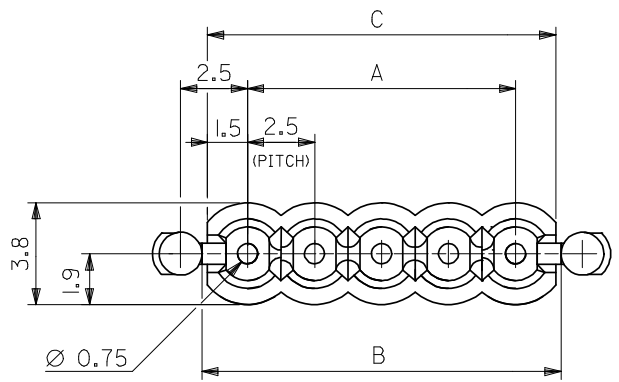


注記

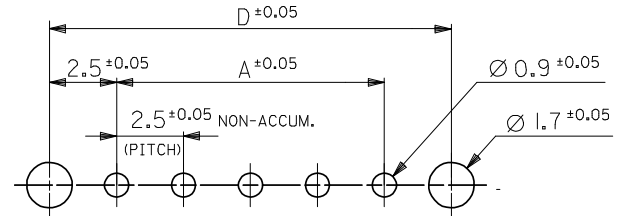
1. 材料：ナイロン66, UL 94V-2
2. 適合電線：2.5mmピッチリボンケーブル  
AWG #24 ~ 26 錫コート平行線
3. 生産国 (トレードマーク)：日本 (MXJ-大和, MXH-塩谷)  
マレーシア (MXL)

42.5	40.5	40.9	37.5	VO	<del>51052-1600</del>	16
40.0	38.0	38.4	35.0	VO	<del>1500</del>	15
37.5	35.5	35.9	32.5	VO	<del>1400</del>	14
35.0	33.0	33.4	30.0	VO	<del>1300</del>	13
32.5	30.5	30.9	27.5	VO	<del>1200</del>	12
30.0	28.0	28.4	25.0	VO	<del>1100</del>	11
27.5	25.5	25.9	22.5	VO	<del>1000</del>	10
25.0	23.0	23.4	20.0	VO	<del>0900</del>	9
22.5	20.5	20.9	17.5	VO	<del>0800</del>	8
20.0	18.0	18.4	15.0	VO	<del>0700</del>	7
17.5	15.5	15.9	12.5	VO	<del>0600</del>	6
15.0	13.0	13.4	10.0	VO	<del>0500</del>	5
12.5	10.5	10.9	7.5	VO	<del>0400</del>	4
10.0	8.0	8.4	5.0		<del>-0300</del>	3
7.5	5.5	5.9	2.5	VO	<del>51052-0200</del>	2
D	C	B	A		ENG. NO.	極数

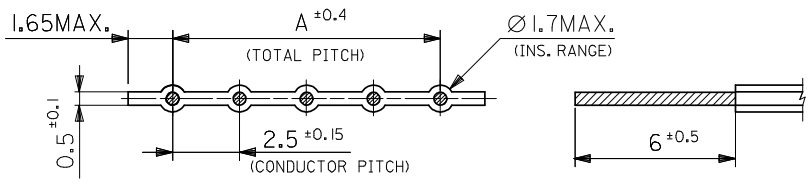
REVISED EC NO: J2008-2948 DRW: NAKAMURAA 2008/03/31 CHKD: T. HARUYAMA 2008/04/22 APPR: NUKITA 2008/06/03	GENERAL TOLERANCES (UNLESS SPECIFIED)		DIMENSION STYLE MM ONLY		SCALE 5:1	DESIGN UNITS METRIC	THIRD ANGLE PROJECTION
	10 UNDER	±0.2	DRAWN BY T. ITOH	DATE	TITLE 2.5MM PITCH CABLE HOLDER (FOR 6 MM STRIP LENGTH)		
	10 OVER 30 UNDER	±0.25	CHECKED BY M. FUKUSHIMA	DATE '97/7/4	MOLEX INCORPORATED		
	30 OVER	±0.3	APPROVED BY M. FUKUSHIMA	DATE '97/7/4	DOCUMENT NO. SD-51052-001		
	ANGULAR	±3°	MATERIAL NO. SEE TABLE		SHEET NO. 1 OF 2		
DRAFT WHERE APPLICABLE MUST REMAIN WITHIN DIMENSIONS		THIS DRAWING CONTAINS INFORMATION THAT IS PROPRIETARY TO MOLEX INCORPORATED AND SHOULD NOT BE USED WITHOUT WRITTEN PERMISSION					



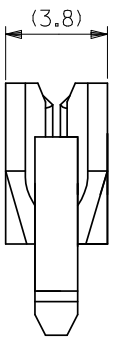
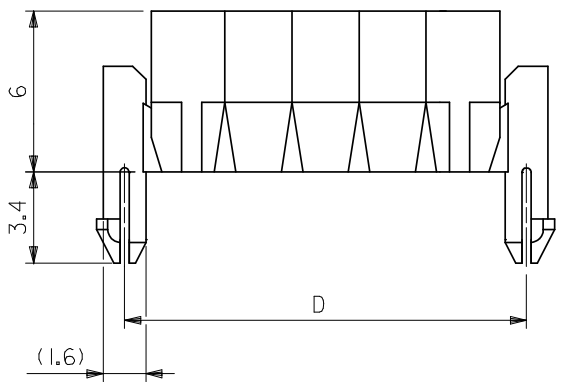
SECT.(CABLE ASS'Y)



RECOMMENDED P.C. BOARD HOLE DIM.  
( $\pm 1.6 \pm 0.05$ )



RECOMMENDED WIRE DIM.



NOTES

- MATERIAL : NYLON 66, UL 94V-2
- APPLIED WIRE : 2.5mm PITCH RIBBON CABLE  
AWG#24~26  
TIN TOP COATED WIRE
- PLACE OF MANUFACTURE (TRADE-MARK) :  
JAPAN (MXJ-YAMATO, MXH-SHIOYA)  
MALAYSIA (MXL)

42.5	40.5	40.9	37.5	VO	<del>51052-1600</del>	16
40.0	38.0	38.4	35.0	VO	<del>1500</del>	15
37.5	35.5	35.9	32.5	VO	<del>1400</del>	14
35.0	33.0	33.4	30.0	VO	<del>1300</del>	13
32.5	30.5	30.9	27.5	VO	<del>1200</del>	12
30.0	28.0	28.4	25.0	VO	<del>1100</del>	11
27.5	25.5	25.9	22.5	VO	<del>1000</del>	10
25.0	23.0	23.4	20.0	VO	<del>0900</del>	9
22.5	20.5	20.9	17.5	VO	<del>0800</del>	8
20.0	18.0	18.4	15.0	VO	<del>0700</del>	7
17.5	15.5	15.9	12.5	VO	<del>0600</del>	6
15.0	13.0	13.4	10.0	VO	<del>0500</del>	5
12.5	10.5	10.9	7.5	VO	<del>0400</del>	4
10.0	8.0	8.4	5.0		<del>-0300</del>	3
7.5	5.5	5.9	2.5	VO	<del>51052-0200</del>	2
D	C	B	A		ENG. NO.	CKT.

REVISED EC NO: J2008-2948 DRW: NAKAMURAA 2008/03/31 CHKD: T. HARUYAMA 2008/04/22 APPR: NUKITA 2008/06/03	GENERAL TOLERANCES (UNLESS SPECIFIED)		DIMENSION STYLE MM ONLY		SCALE 5:1	DESIGN UNITS METRIC	THIRD ANGLE PROJECTION	
	10 UNDER	$\pm 0.2$	DRAWN BY T. ITOH		TITLE 2.5MM PITCH CABLE HOLDER (FOR 6MM STRIP LENGTH)			
	10 OVER 30 UNDER	$\pm 0.25$	CHECKED BY M. FUKUSHIMA		DATE '97/7/4			
	30 OVER	$\pm 0.3$	APPROVED BY M. FUKUSHIMA		DATE '97/7/4			
	ANGULAR $\pm 3^\circ$		MATERIAL NO. SEE TABLE		DOCUMENT NO. SD-51052-001		SHEET NO. 2 OF 2	
DRAFT WHERE APPLICABLE MUST REMAIN WITHIN DIMENSIONS		THIS DRAWING CONTAINS INFORMATION THAT IS PROPRIETARY TO MOLEX INCORPORATED AND SHOULD NOT BE USED WITHOUT WRITTEN PERMISSION						