

AT-CUT CRYSTAL UNIT (SMD • Ceramic Package)

RoHS compliant / Pb free

CS325S

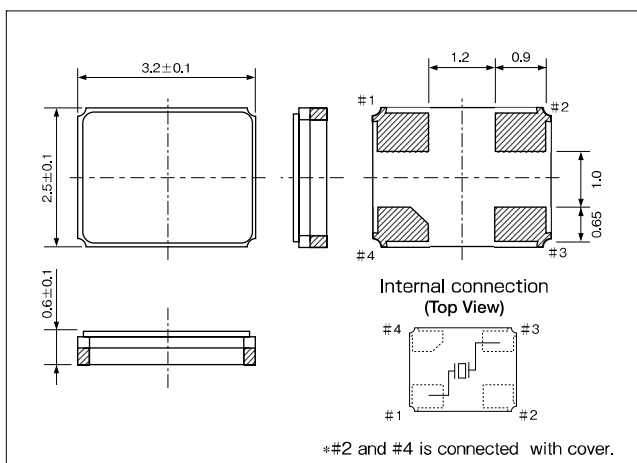
3000pcs/reel



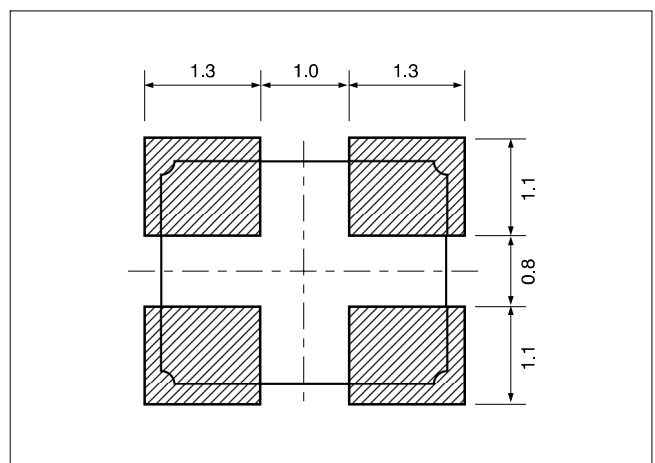
FEATURES

- High-density SMD type.
- Reliable ceramic package and excellent environmental characteristics.
- Suitable for various applications such as communication devices, AV devices and other equipment.

DIMENSION [mm]



SOLDER PAD LAYOUT [mm]



STANDARD SPECIFICATIONS

Item	Model	CS325S	Conditions
Nominal Frequency	f_0	12.0MHz~54.0MHz (Fundamental)	Need to contact us for the available frequency
Frequency Tolerance	$\Delta f/f_0$	± 30 ppm	at 25°C
Frequency Tolerance over Operating Temperature Range	$\Delta f/f_0$	± 30 ppm	-10°C~+60°C
Operating Temperature Range	T_{OPR}	-40°C~+85°C	
Storage Temperature Range	T_{STR}	-55°C~+125°C	
Motional (series) resistance	R_1	Refer to the following table	at 25°C
Load capacitance	C_L	10.0pF~∞	Need to specify your requirement
Shunt capacitance	C_0	5.0pF Max.	
Level of drive	D_L	10 μW (100 μW Max.)	
Insulation Resistance	I_R	500MΩ Min.	DC100V±15V
Aging (first year)	$\Delta f/f_0$	± 5 ppm Max.	25°C±3°C

MOTIONAL (SERIES) RESISTANCE (R_1)

Frequency Range	12.0MHz≤ f_0 <16.0MHz	16.0MHz≤ f_0 <20.0MHz	20.0MHz≤ f_0 <30.0MHz	30.0MHz≤ f_0 <54.0MHz
ESR	150Ω Max.	120Ω Max.	80Ω Max.	50Ω Max.