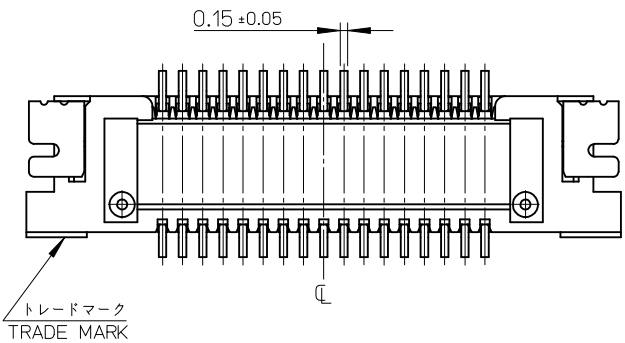


注記 NOTES

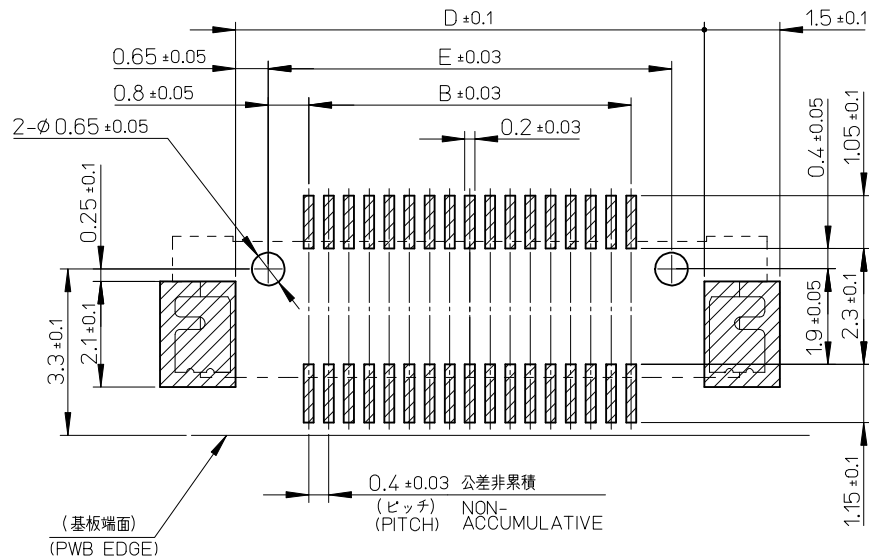
- 使用材料 MATERIAL
 ウエハー: 液晶ポリマー ガラス充填 UL94V-0 黒色
 WAFER: LIQUID CRYSTAL POLYMER, GLASS FILLED, UL94V-0, COLOR BLACK
 ピン: リン青銅
 PIN: PHOSPHOR BRONZE
 補強金具: リン青銅
 FITTING NAIL: PHOSPHOR BRONZE
 - メッキ仕様 PLATING
 ピン PIN
 コントラクト部: 部分金めっき (0.25µm以上)
 テール部: 部分金めっき
 下地: ニッケルめっき (1.5µm以上)
 CONTACT AREA: SEPARATED GOLD PLATING (0.25 MICROMETER MINIMUM)
 SOLDER TAIL AREA: SEPARATED GOLD PLATING
 UNDERPLATE: NICKEL OVERALL (1.5 MICROMETER MINIMUM)
 補強金具 FITTING NAIL
 錫めっき (1.0µm以上)
 下地: ニッケルめっき (1.0µm以上)
 TIN PLATING (1.0 MICROMETER MINIMUM)
 UNDERPLATE: NICKEL OVERALL (1.0 MICROMETER MINIMUM)
- △ テール部に適用。
 APPLY TO THE TAIL AREA.
- 嵌合相手: 54552 シリーズ
 MATE WITH: 54552 SERIES.
 - テール平坦度は、0.08 以下
 テール及び金具の平坦度は、0.1 以下
 TAIL COPLANARITY TO BE 0.08 MAXIMUM
 TAIL AND FITTING NAIL COPLANARITY TO BE 0.1 MAXIMUM
 - ELV及びRoHS適合品
 ELV AND RoHS COMPLIANT



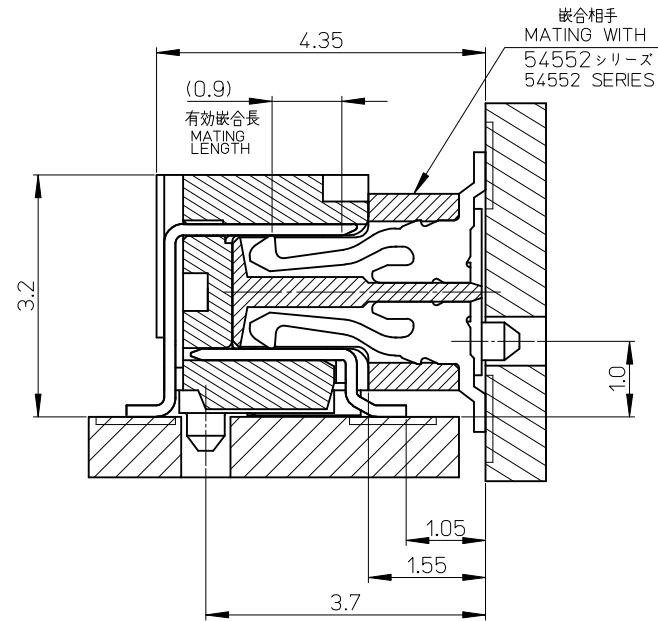
9.2	10.5	11.9	7.6	13.0	503376-4010	40	
8.0	9.3	10.7	6.4	11.8	503376-3410	34	
7.2	8.5	9.9	5.6	11.0	503376-3010	30	
E	D	C	B	A	EMBOSSED PACKAGE	極数	
						オーダー番号 ORDER No.	CIRCUITS

CONNECTOR SERIES No. : 503376-**19

REVISED EC NO: J2010-0351 DRWN: TOSHIMA 2009/09/04 CHKD: MARUYAMA 2009/09/04 APPR: MSASAO 2009/09/04	GENERAL TOLERANCES (UNLESS SPECIFIED)		DIMENSION STYLE MM ONLY		SCALE 10:1	DESIGN UNITS METRIC	THIRD ANGLE PROJECTION
	10 UNDER	±0.2	DRAWN BY M. TAKASAKI	DATE 2009/06/03	TITLE 0.4 B-TO-B CONN. RA PLUG NAIL ASSY (WITH BOSS)		
	10 OVER 30 UNDER	±0.25	CHECKED BY M. HAYASHI	DATE 2009/06/03	MOLEX INCORPORATED		
	30 OVER	±0.3	APPROVED BY N. UKITA	DATE 2009/06/03	DOCUMENT NO. SD-503376-001		
	ANGULAR ±3 ° DRAFT WHERE APPLICABLE MUST REMAIN WITHIN DIMENSIONS		MATERIAL NO. SEE CHART		SHEET NO. 1 OF 2		



推奨基板レイアウト(マウント面)
 RECOMMENDED P.W.BOARD
 PATTERN DIMENSION. (REFERENCE)
 (MOUNTING AREA)



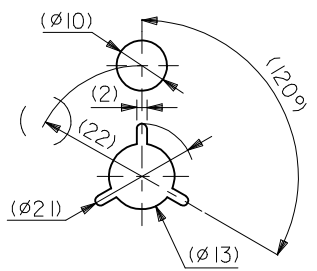
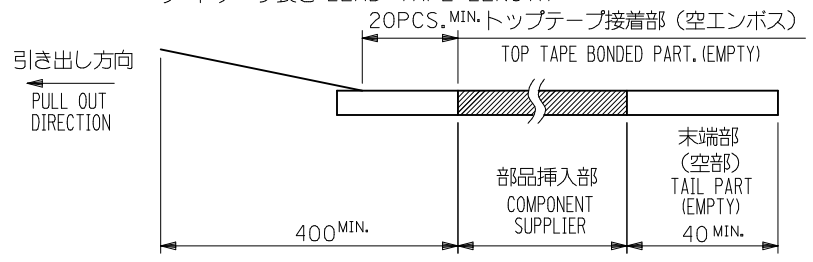
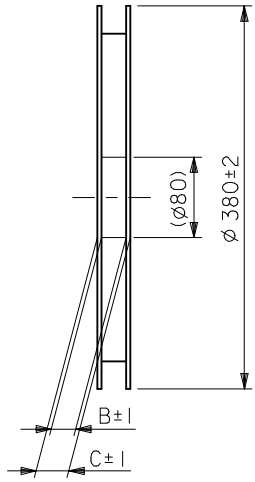
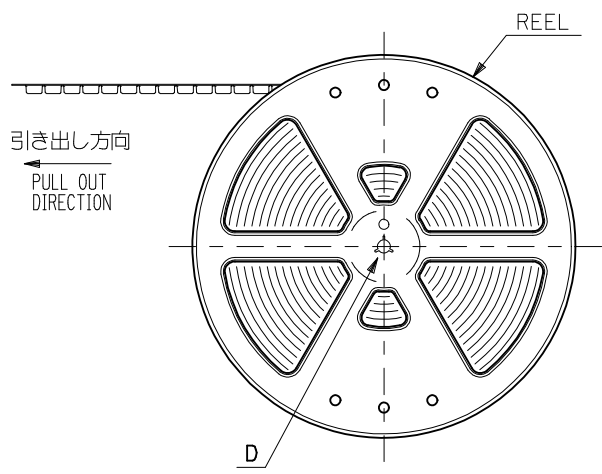
嵌合断面 及び ボス位置 (参考)
 MATED AND BOSS POSITION
 DRAWING(REFERENCE)

CONNECTOR SERIES No. : 503376-**19

REVISED EC NO: J2010-0351 DRWN:TOSHIMA 2009/09/04 CHKD:SMARUYAMA 2009/09/04 APPR:MSASAO 2009/09/04 A	DESCRIPTION REV	GENERAL TOLERANCES (UNLESS SPECIFIED)		DIMENSION STYLE MM ONLY		SCALE 15:1	DESIGN UNITS METRIC	THIRD ANGLE PROJECTION	
		10 UNDER	±0.2	DRAWN BY M. TAKASAKI	DATE 2009/06/03	TITLE 0.4 B-TO-B CONN. RA PLUG NAIL ASSY (WITH BOSS)			
		10 OVER 30 UNDER	±0.25	CHECKED BY M. HAYASHI	DATE 2009/06/03				
		30 OVER	±0.3	APPROVED BY N. UKITA	DATE 2009/06/03	MOLEX INCORPORATED SEE CHART SD-503376-001			
		ANGULAR ±3 °		MATERIAL NO.					
DRAFT WHERE APPLICABLE MUST REMAIN WITHIN DIMENSIONS		SIZE A3		THIS DRAWING CONTAINS INFORMATION THAT IS PROPRIETARY TO MOLEX INCORPORATED AND SHOULD NOT BE USED WITHOUT WRITTEN PERMISSION					

NOTES

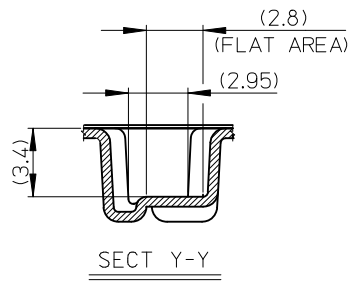
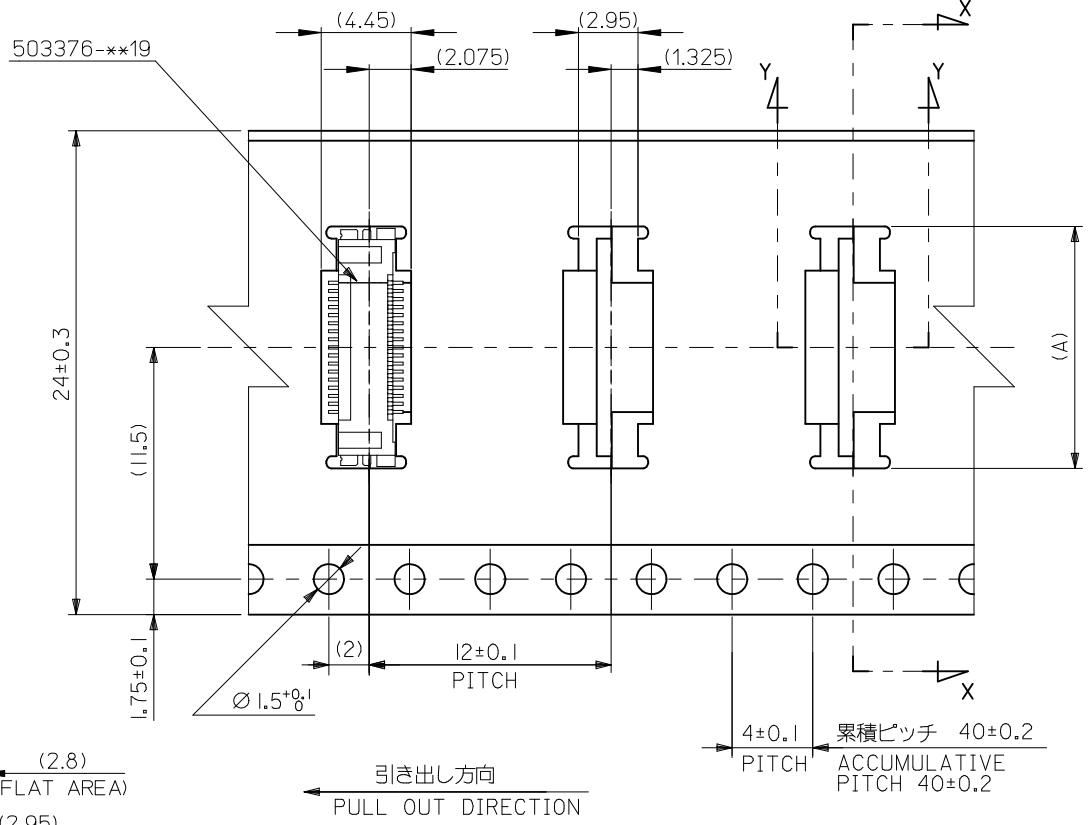
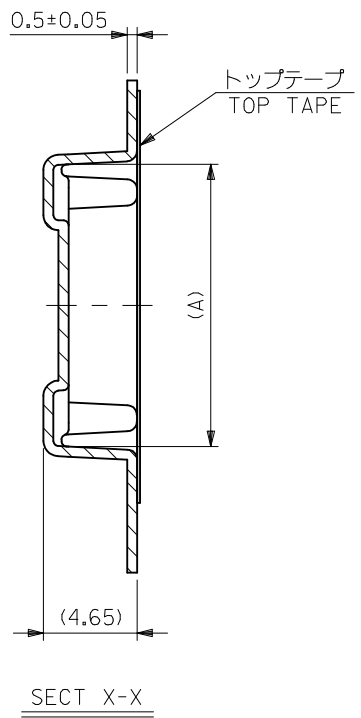
- 製品詳細寸法については SD-503376-001 を参照ください。
RE DETAILED DIMENSION, SEE SD-503376-001
- 梱包数量：1500個/リール
NUMBER OF CONNECTORS : 1500PCS/REEL
- リードテープ長さ LEAD TAPE LENGTH
20PCS. MIN. トップテープ接着部 (空エンボス)
TOP TAPE BONDED PART. (EMPTY)
部品挿入部
COMPONENT SUPPLIER
末端部 (空)
TAIL PART (EMPTY)
400 MIN. 40 MIN.
- 材料 (MATERIAL)
キャリアテープ (CARRIER TAPE) : ポリプロピレン (POLYPROPYLENE)
トップテープ (TOPTAPE) : PET, PE, PEF
リール (REEL) : ポリスチレン (PS) (リサイクル材を含む)
POLYSTYRENE (PS) <RECYCLE MATERIAL CONTAINED>
- ELV 及び RoHS 適合品
ELV AND RoHS COMPLIANT.



DETAIL D

503376-4010	40
503376-3410	34
503376-3010	30
MATERIAL NO.	極数 CIRCUITS

REVISED EC NO: J2010-0351 DRWN: TOSHIMA 2009/09/04 CHKD: SMARUYAMA 2009/09/04 APPR: MSASAO 2009/09/04	GENERAL TOLERANCES (UNLESS SPECIFIED)		DIMENSION STYLE MM ONLY		MODEL NO.	503376-***10		
	10 UNDER	± 0.2	DRAWN BY	DATE	SCALE	DESIGN UNITS		
	10 OVER 30 UNDER	± 0.25	M. TAKASAKI	2009/06/03	---	METRIC		
	30 OVER	± 0.3	CHECKED BY	DATE	THIRD ANGLE PROJECTION			
	ANGULAR	$\pm 3^\circ$	M. HAYASHI	2009/06/03	TITLE			
DRAFT WHERE APPLICABLE MUST REMAIN WITHIN DIMENSIONS		APPROVED BY	DATE	EMBSTP PKG FOR 0.4 B/B CONN. RA PLUG NAIL ASSY				
		N. UKITA	2009/06/03	MOLEX INCORPORATED				
		MATERIAL NO.		SEE CHART		DOCUMENT NO.		
		SIZE		A3		SD-503376-002		
		THIS DRAWING CONTAINS INFORMATION THAT IS PROPRIETARY TO MOLEX INCORPORATED AND SHOULD NOT BE USED WITHOUT WRITTEN PERMISSION						SHEET NO.
								1 OF 2



24mm幅キャリアテープ
24mm WIDTH CARRIER TAPE

24	29.4	25.4	13.2	503376-4010	40
			12.0	503376-3410	34
			11.2	503376-3010	30
キャリアテープ幅 CARRIER TAPE WIDTH	C	B	(A)	MATERIAL NO.	極数 CIRCUITS

REVISED EC NO: J2010-0351 DRWN: TOSHIMA 2009/09/04 CHKD: SMARUYAMA 2009/09/04 APPR: MSASAO 2009/09/04	GENERAL TOLERANCES (UNLESS SPECIFIED)		DIMENSION STYLE MM ONLY		SCALE ---	MODEL NO. 503376-**10
	10 UNDER	±0.2	DRAWN BY M. TAKASAKI	DATE 2009/06/03	TITLE EMBSTP PKG FOR 0.4 B/B CONN. RA PLUG NAIL ASSY	
	10 OVER 30 UNDER	±0.25	CHECKED BY M. HAYASHI	DATE 2009/06/03	MATERIAL NO. SEE CHART	
	30 OVER	±0.3	APPROVED BY N. UKITA	DATE 2009/06/03	DOCUMENT NO. SD-503376-002	
	ANGULAR ±3 °	DRAFT WHERE APPLICABLE MUST REMAIN WITHIN DIMENSIONS		SIZE A3	SHEET NO. 2 OF 2	