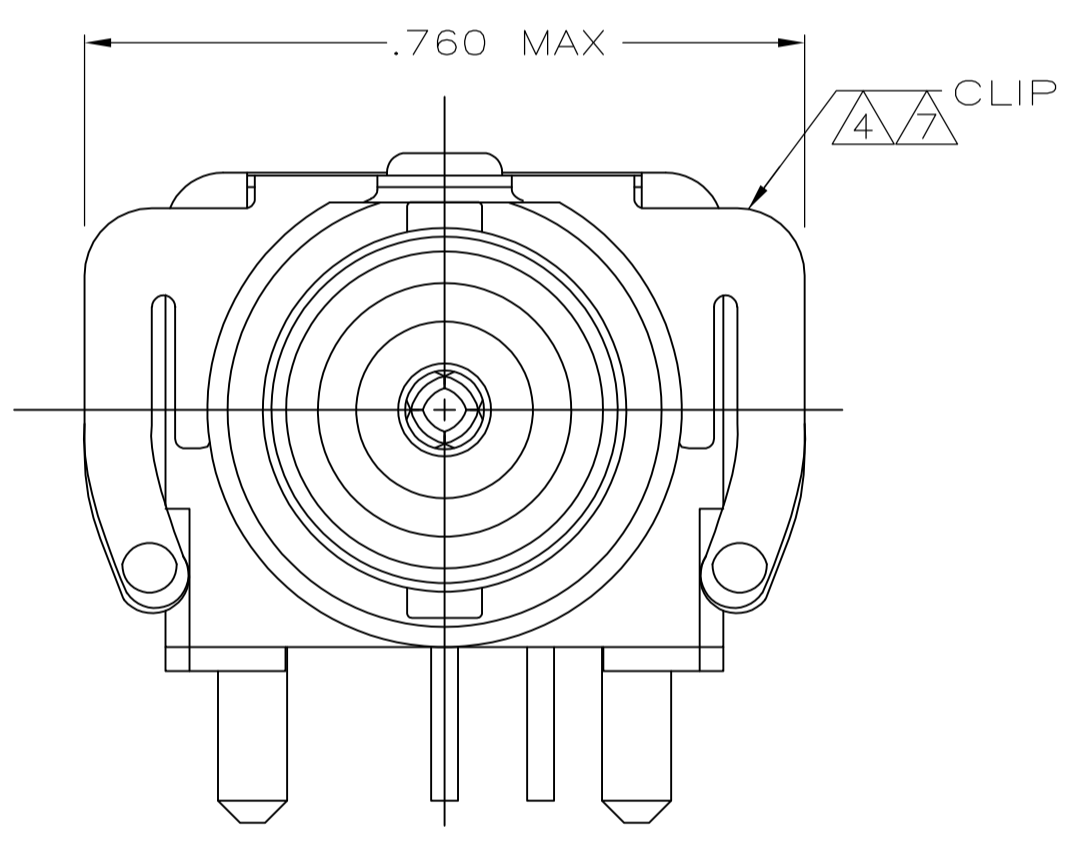
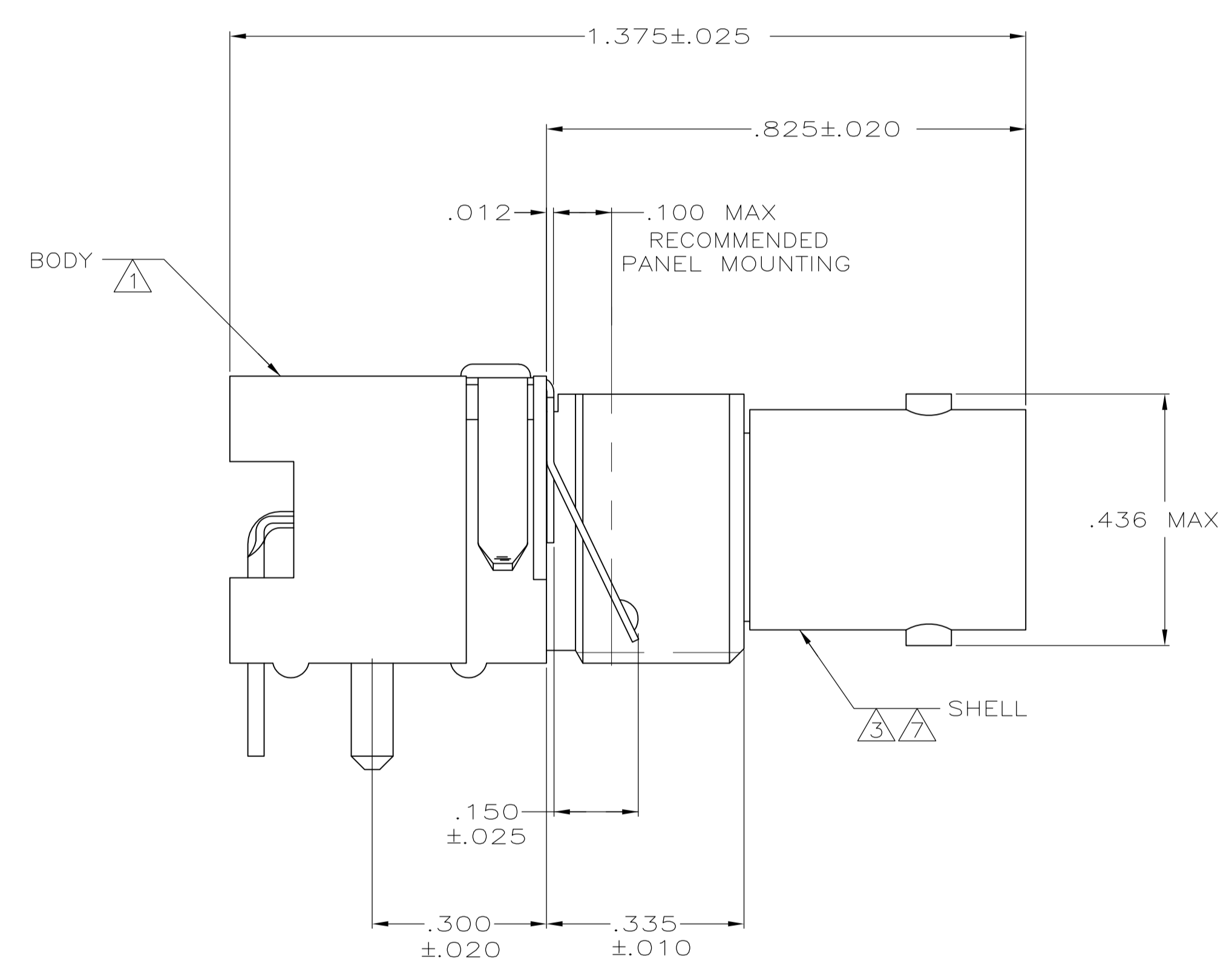
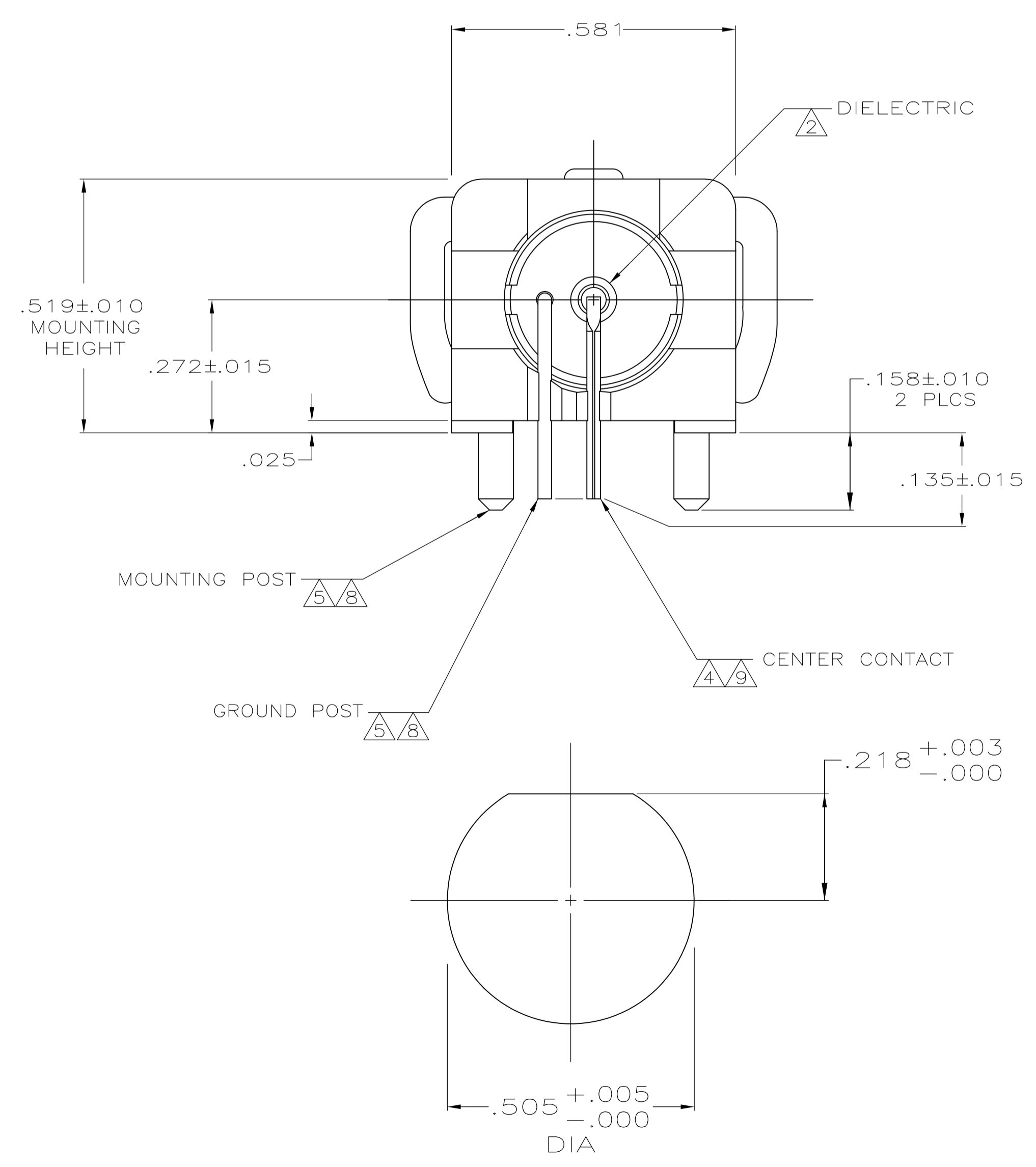


- ① POLYESTER, PBT, BLACK, PER MIL-M-24519
- ② POLYMETHYLPENTENE, GENERAL PURPOSE
- ③ ZINC PER QQ-Z-363
- ④ PHOSPHOR BRONZE PER QQ-B-750
- ⑤ BRASS PER ASTM-B-16
- ⑥ BRASS PER ASTM-B-453
- ⑦ NICKEL PLATE PER QQ-N-290
- ⑧ TIN PLATE PER ASTM-B-545
- ⑨ SELECTIVELY GOLD PLATED ON INTERFACE AREA PER ASTM-B-488, .000030 THK, TIN PLATE ON SOLDER TAIL PER ASTM-B-545, ALL OVER NICKEL PL PER QQ-N-290



RECOMMENDED
PANEL CUTOUT

| | |
|-----------------------|-------------|
| 9400 pf, 1500 VDC | 5414094-2 |
| CAPACITANCE & VOLTAGE | PART NUMBER |

| | | | | | |
|--|--|-----------------------------------|--|------------------------------|--|
| THIS DRAWING IS A CONTROLLED DOCUMENT. | | DIN J. ALCORTA - 26APR2005 | | Tyco Electronics Corporation | |
| DIMENSIONS: INCHES | | CIK J. HAVENER - DOCK45 26APR2005 | | Harrisburg, PA 17105-3608 | |
| TOLERANCES UNLESS OTHERWISE SPECIFIED: | | APVD J. LIPPERT 26APR2005 | | NAME | |
| 0 PLC ± - | | PRODUCT SPEC | | JACK, DECOUPLER, | |
| 1 PLC ± - | | APPLICATION SPEC | | PCB, LOW PROFILE, 75 OHM, | |
| 2 PLC ± - | | SIZE | | RIGHT ANGLE, SERIES BNC | |
| 3 PLC ± .008 | | CAGE CODE | | DRAWING NO | |
| 4 PLC ± - | | WEIGHT | | RESTRICTED TO | |
| ANGLES ± - | | A1 00779 | | C=5414094 | |
| MATERIAL THRU | | CUSTOMER DRAWING | | SCALE 5:1 SHEET 1 OF 1 REV B | |