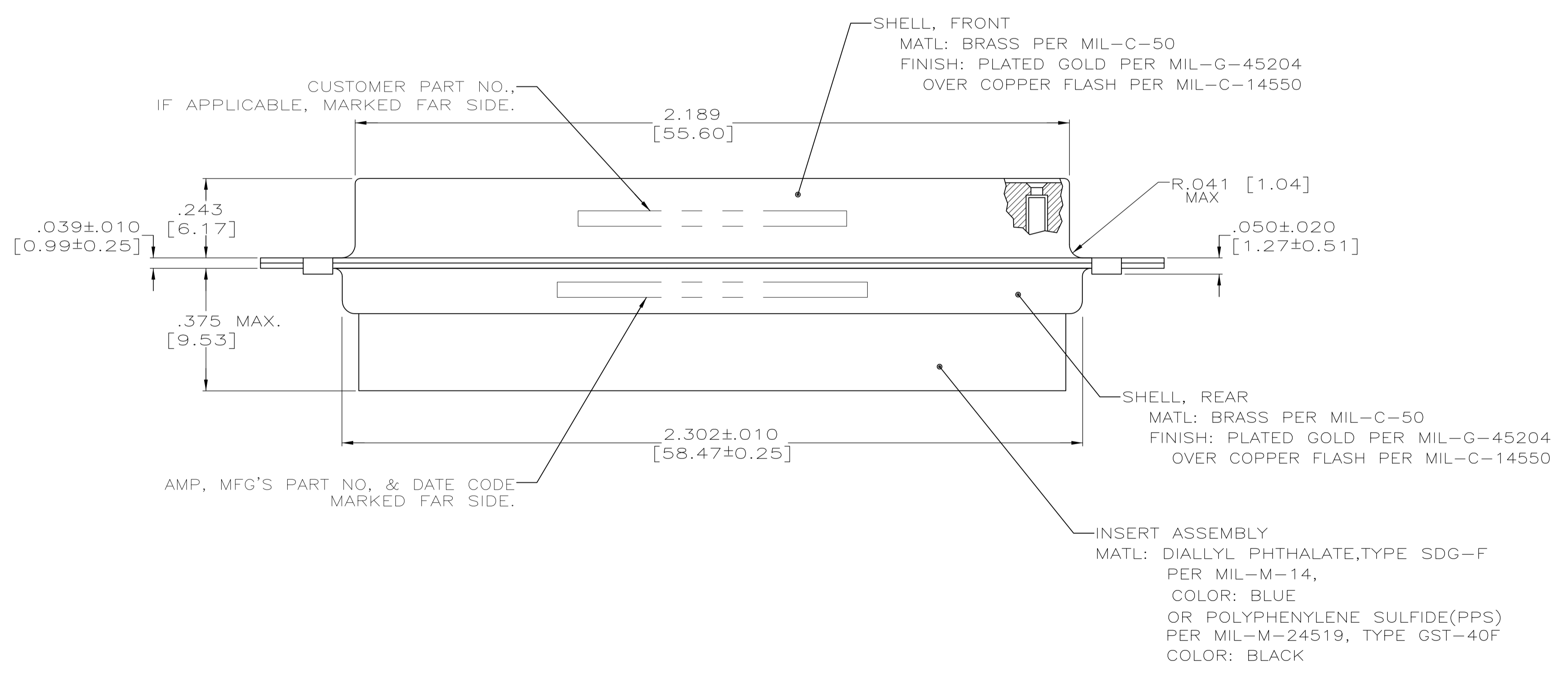
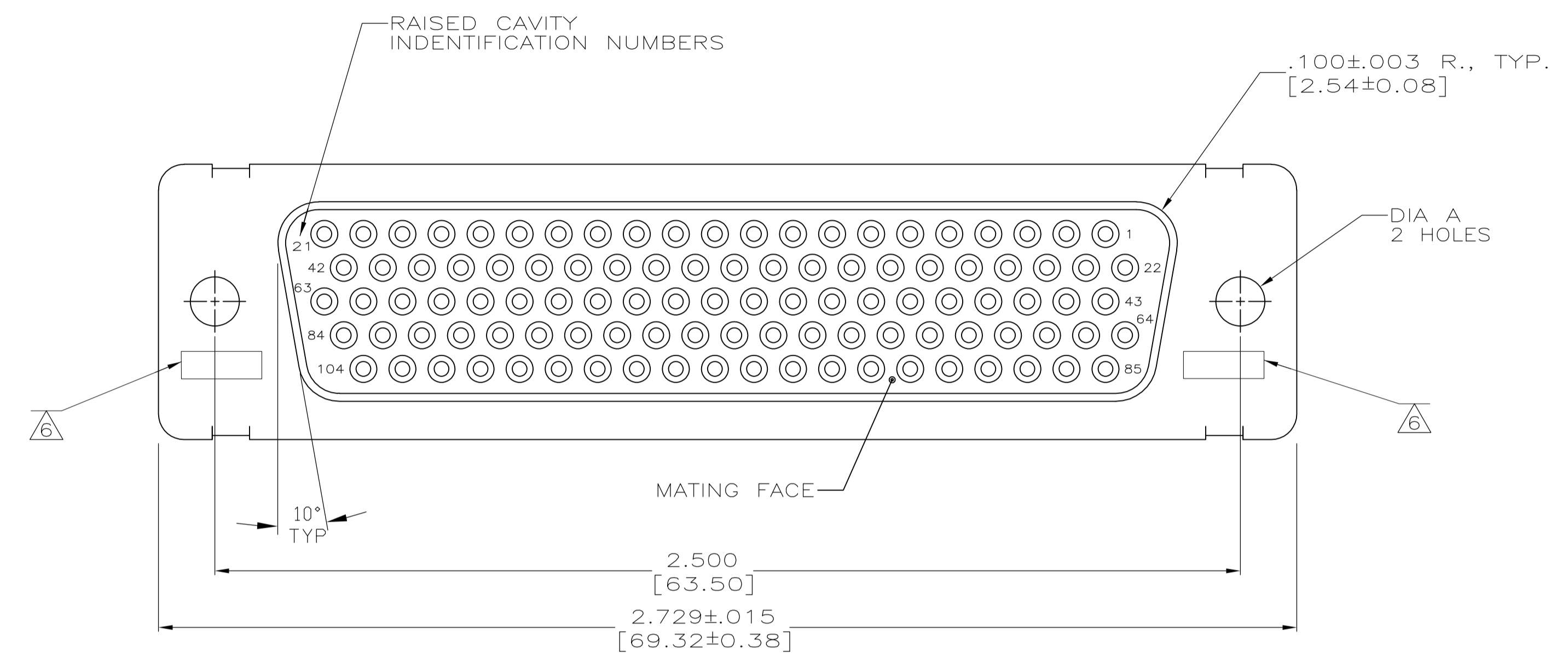
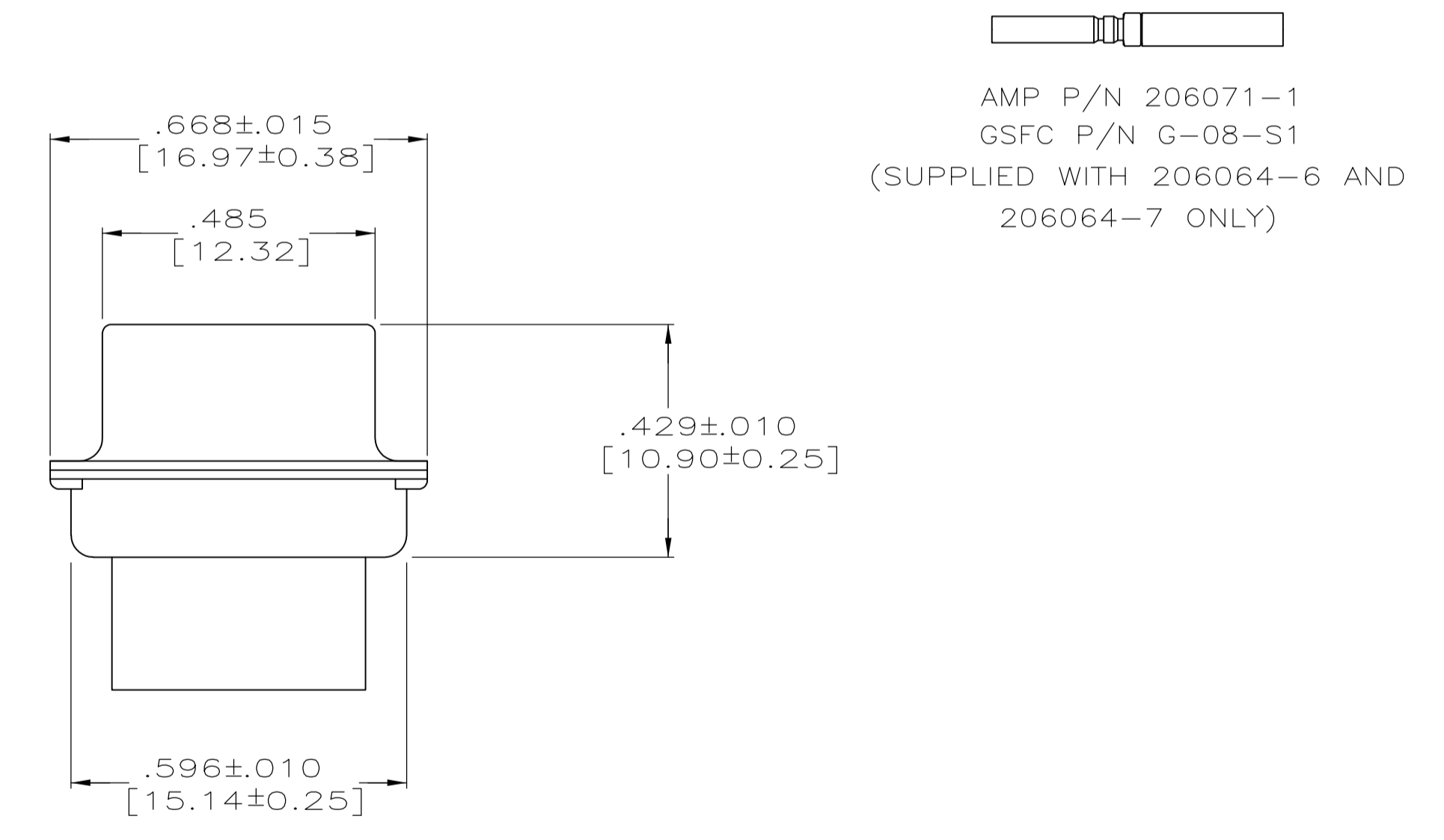


LOC		DIST		REVISIONS			
REV	DATE	BY	CHK	DESCRIPTION	DATE	OWN	APVD
S	12-8-08	REV PER ECO	08-019991			CT	RL



- THIS RECEPTACLE WILL MATE WITH ANY PLUG CONNECTOR WITH THE SAME INSERT ARRANGEMENT AS DEFINED BY MS14004-1.
 - MAXIMUM WIRE INSULATION USED WITH THIS RCPT. IS .054 [1.37] DIA.
 - Be-Cu RETENTION CLIPS ARE INCLUDED IN INSERTS.
- △ INSPECTION REQUIREMENTS PER R4383.
- △ CONNECTOR SUPPLIED WITH 115 CONTACTS, AMP PART NUMBER 206071-1. INSPECTION REQUIREMENTS PER R4383 WITHOUT TESTS FOR HIGH ALTITUDE DIELECTRIC WITHSTANDING VOLTAGE AS CALLED FOR IN TABLE II SCREENING AND TESTING.
- △ UL/CSA DESIGNATION STAMPED IN THIS AREA, OPTIONAL
- △ SPECIAL TESTING PER GE DOCUMENT 20025720. CONNECTOR SUPPLIED WITH 114 CONTACTS, AMP P/N 206071-1.
- △ RESTRICTED TO CAE ELECTRONICS ONLY.
- △ THESE CONNECTORS ARE QUALIFIED TO GODDARD SPACE FLIGHT CENTER SPECIFICATION S-311-P-4.



REMARKS	DIA A	CUSTOMER P/N ON CONNECTOR	AMP P/N ON CONNECTOR	PART NO.
△	.120 [3.05]	570566-6	206065-9	206065-9
△	.120 [3.05]	311P407-6S-B-12	206065-4	206065-8
△	.120 [3.05]	20025720P1104S	206065-7	206065-7
△	.120 [3.05]	R4383P104S	206065-6	206065-6
△	.120 [3.05]	R4383P104S-2	206065-5	206065-5
△	.120 [3.05]	311P407-6S-B-12	206065-4	206065-4
△	.154 [3.91]	---	206065-3	206065-3
△	.154 [3.91]	311P407-6S-B-15	206065-2	206065-2
△	.120 [3.05]	R9259P104S	206065-1	206065-1

THIS DRAWING IS A CONTROLLED DOCUMENT.

DRN: S. GLATFELTER 11-10-88
 CHK: E. A. McDUGGLE 11-10-88
 APVD: E. McDUGGLE 11-10-88

Tyco Electronics Corporation
 Harrisburg, PA 17105-3608

NAME: AMPLIMITE NONMAGNETIC RECEPTACLE ASSEMBLY, SERIES 90, SHELL SIZE 6, 104 POSITION

PRODUCT SPEC: ---
 APPLICATION SPEC: ---
 SIZE: A1
 CAGE CODE: 00779
 DRAWING NO: 206065

RESTRICTED TO: ---
 WEIGHT: ---
 CUSTOMER DRAWING: ---
 SCALE: 4:1
 SHEET: 1 OF 1
 REV: S