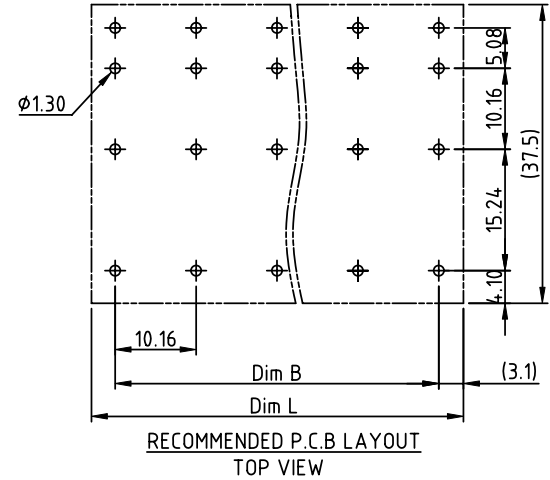
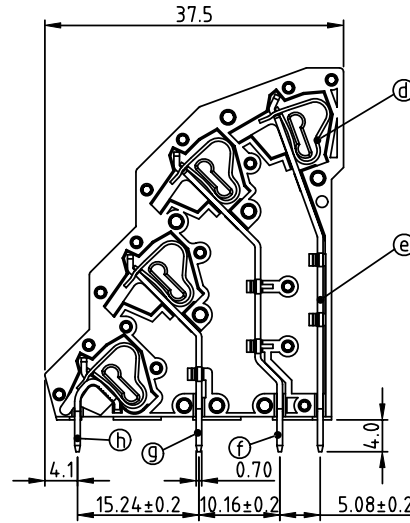
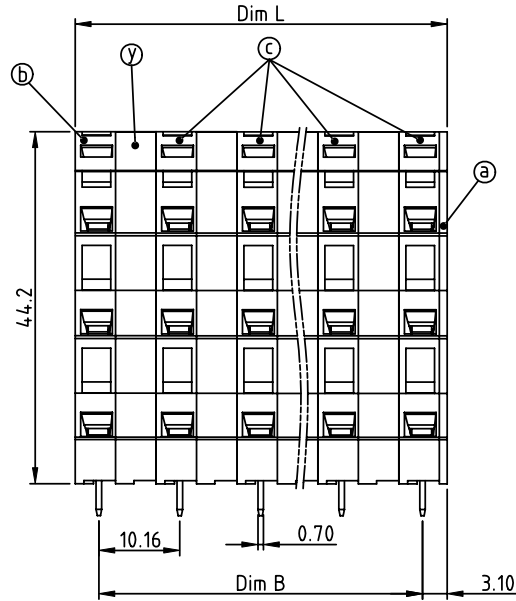


PRODUCT NUMBER	PITCH
HSxx40x000JOG	10.16mm



**Material:**

- Item ① Insulator (Cover): Thermoplastic (UL94V-0)
- Item ② Insulator (Side housing): Thermoplastic (UL94V-0)
- Item ③ Insulator (Middle housing): Thermoplastic (UL94V-0)
- Item ④ Spring clamp: Stainless steel
- Item ⑤ Solder Pin (The fourth layer): Brass, Tin plated
- Item ⑥ Solder Pin (The third layer): Brass, Tin plated
- Item ⑦ Solder Pin (The second layer): Brass, Tin plated
- Item ⑧ Solder Pin (The first layer): Brass, Tin plated
- Item ⑨ Insulator (pad board): Thermoplastic (UL94V-0)

**Electrical:**

- Voltage rating: 300V
- Current rating: 10A
- Wire range:
- Solid wire (AWG): 12-28
- Stranded wire (AWG): 12-28
- Wire strip length: 6-7mm
- Withstanding Voltage: 1.6KV
- Operating temperature: -40°C to +115°C
- Soldering temperature: 260°C±5°C/5 Sec
- Safety Approval:

N=Number of poles  
 Dim L=N/4×10.16+1.0  
 Dim B=(N/4-1)×10.16

Poles	Dim L	Dim B
4×2p-4×4p	±0.25	±0.25
4×5p-4×8p	±0.35	±0.30
4×9p-4×12p	±0.45	±0.40

PART NO.: HS xx 40 x 000JOG

No. of poles	Color	RoHS compliant
End Stackable	0 Black (RAL9005)	(lead<4%) In copper Alloy
08 4x2 poles	3 Red (RAL3001/D)	
12 4x3 poles	4 Yellow (RAL1018/A)	
...	5 Green (RAL6018/T)	
48 4x12 poles	6 Blue (RAL5015/A)	
	8 Grey (RAL7004/P)	
	9 White (RAL1102)	
	C Multiple colors	

mat'l. code		surface ASME Y14.5	tolerance ASME Y14.5	projection 	product family TERMINAL BLOCK	
ltr	ecn no	dr	date	MM	title TERMINAL BLOCK SPRING CLAMP, 4SD WIRE INLET, 4-LEVEL, PARALLEL TYPE	
tolerances unless otherwise specified						scale
angles		X.±0.5			dwg no HSxx40x000JOG	
file		X.X±0.3				sheet 1 of 1
X*±1"		X.XX±0.1				size A4
dr	EVIN ZHONG	053114		type CUSTOMER Drawing		
enr	EVIN ZHONG	053114				
chr	HANKE FENG	053114				
appd	SHI JUN	053114				
sheet index	revision	A				
	sheet	1				