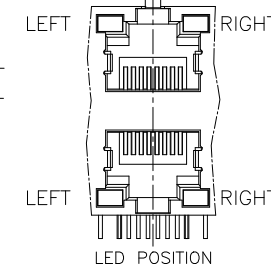
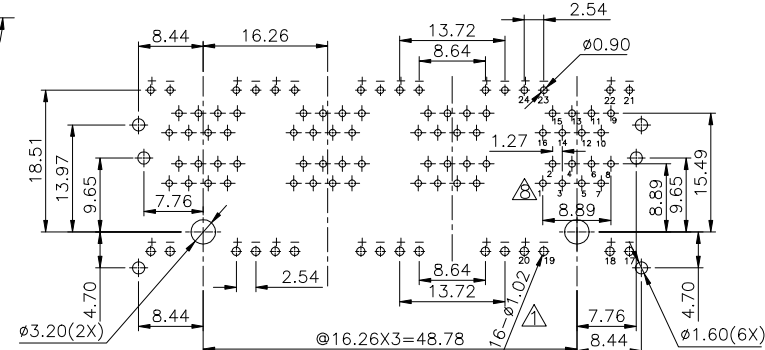


REVISION RECORD				
REV	ECO	DESCRIPTION	DRFT	CHKD
▲		DRAWING MODIFY	LUSHENG 11/09/01	
▲		ADD TYPE	LUSHENG 11/28/01	H
▲		ADD TYPE	XL 3/18/02	
▲		ADD TYPE	IRONDR 07/23/02	
▲		DRAWING MODIFY	IRONDR 08/16/02	
▲		ADD TYPE	IRONDR 08/28/02	
▲		ADD TYPE	IRONDR 08/31/02	
▲		DRAWING MODIFY	IRONDR 11/28/02	G
▲		ADD TYPE	JAKE 08/07/03	
▲		DRAWING MODIFY	JAKE 08/23/03	
▲		DRAWING MODIFY	JAKE 07/23/04	
▲		DRAWING MODIFY	PETERS 11/26/04	
▲		ADD NEW TYPE	SRI 02/16/05	



- NOTES:
- ELECTRICAL:**
- VOLTAGE RATING : 125 VAC RMS.
 - CURRENT RATING : 1.5 AMP.
 - CONTACT RESISTANCE : 50 MILLIOHMS MAX. ▲
 - INSULATION RESISTANCE: 1000 MEGOHMS MIN @ 500 VDC.
 - DIELECTRIC STRENGTH : 1000 VAC RMS 60Hz, 1MIN.
- MECHANICAL:**
- HOUSING MATERIAL : GLASS FILLED POLYESTER OR FR52 UL94V-0.
 - CONTACT MATERIAL : PHOSPHOR BRONZE $\phi 0.46$ mm.
 - PLATING : 1: CONTACT AREA- SELECTIVE GOLD PLATING.
2: TAILS- 150u" TIN-LEAD MIN OVER 50u" NICKEL. ▲ OR TIN OVER NICKEL LEAD FREE.
 - OPERATING LIFE : 750 CYCLES MIN.
 - PCB RETENTION PRE-SOLDER : 1 LB MIN.
 - PCB RETENTION POST-SOLDER: 10 LBS MIN.
 - LED COLOR : GREEN
- ENVIRONMENTAL:**
- STORAGE : -40°C TO +85°C.
 - OPERATION: 0°C TO 70°C.
- MATES WITH MODULAR PLUG CONFORMING TO FCC PART 68, SUBPART F.
- PART NUMBER: E5J88-X4CXFX

- Gold Thickness:
- 1- 3u" 2- 6u" 3-15u"
 - 4-30u" 5-50u"
- 0- W/O "FRE" LOGO ▲
- 2- W/ "FRE" LOGO
- J- W/ O LOGO FR52
- ▲ Lead Free P/N: PART NUMBER: E5J88-X4CXFX-L
- Gold Thickness:
- 1- 3u" 2- 6u" 3-15u"
 - 4-30u" 5-50u"
- 0- W/O "FRE" LOGO
- 2- W/ "FRE" LOGO
- J- W/ O LOGO FR52
- ▲ A-LEFT LED:GREEN, RIGHT LED:GREEN
 ▲ B-LEFT LED:GREEN, RIGHT LED:ORANGE
 ▲ C-LEFT LED:GREEN, RIGHT LED:YELLOW
 ▲ L-LEFT LED:YELLOW, RIGHT LED:GREEN
 ▲ F-LEFT LED:ORANGE, RIGHT LED:GREEN
 ▲ D-LEFT LED:G+R, RIGHT LED:G+R



PC Board Layout
Component Side Shown

← MM (INCH) →		DFTO LUSHENG	DATE 05/22/01
TOLERANCES EXCEPT AS NOTED		CHKD JAKE	DATE 2005/2/21
		MFO	DATE
		APPV LUSHENG	DATE 2005/2/22
MATERIAL :			
ANGLES ±		QTY :	
THIRD ANGLE PROJECTION		FINISH :	
		SCALE : 5:3	

FULL RISE ELECTRONIC CO., LTD			
TITLE RJ45(LED)			
STACKED GANGED JACK, 2X4			
DRAWING NO. GE5J3001		SIZE A3	REV 13
/PART NO. SEE NOTE		02/16/05	
DO NOT SCALE DRAWING		SHEET 1	OF 1