

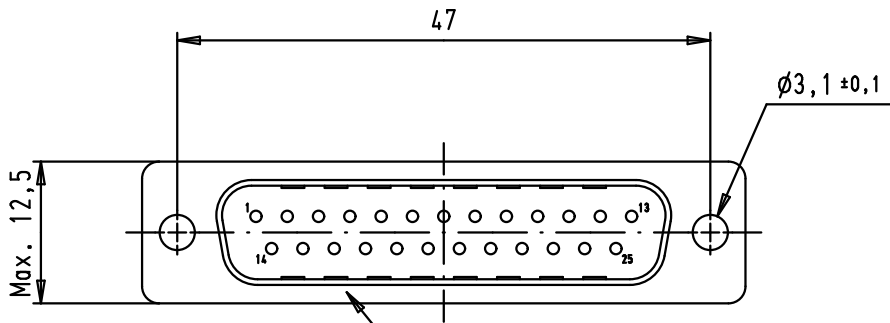
5

4

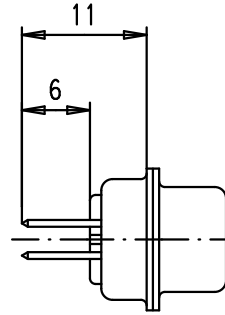
3

2

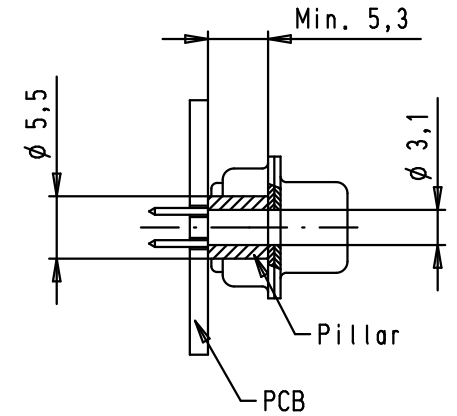
1



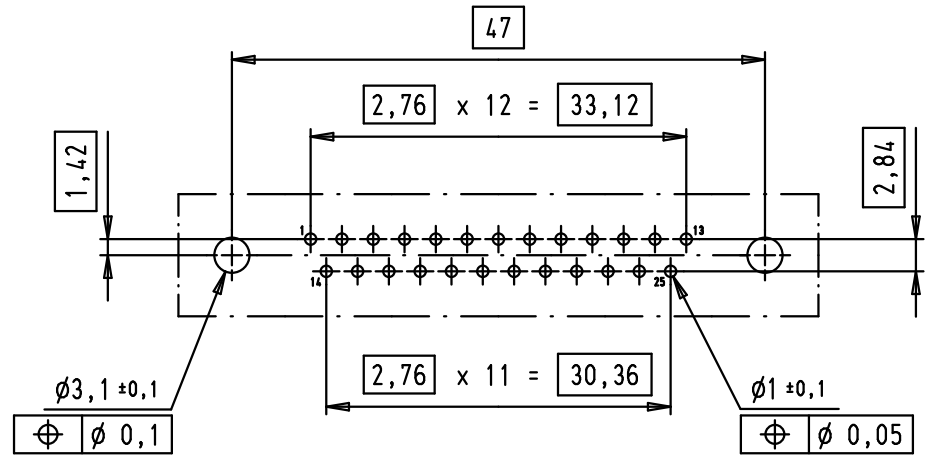
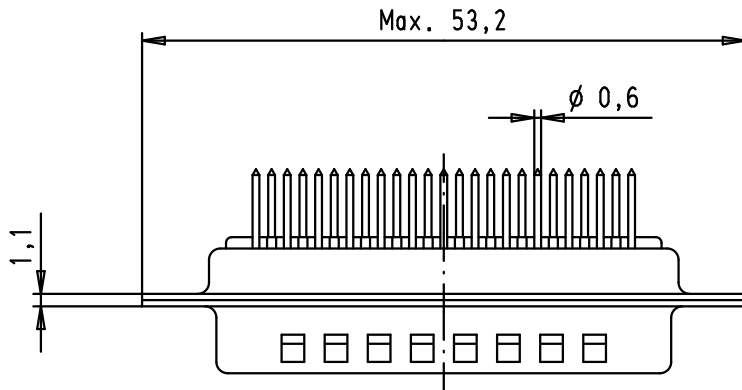
Mating face according to: MIL-C-24308 / DIN 41652 / CECC 75301-802



Assembly position



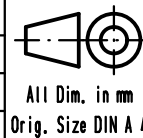
PCB layout, component side  
(PCB holes plating: tin)



A

09 67 025 5656	PL1
09 67 025 5655	PL2
09 67 025 5654	PL3
Part number	Performance level

			Det.	Name
			07/02/01	JFB
35391	13/10/08	PK	Insp.	
32991	01/09/05	JMDR	Stand.	
27993	04/04/01	AF		
27974	07/02/01	JFB		
Mod.	Det.	Name	HARTING EURL F-95972 Paris	



All Dim. in mm  
Orig. Size DIN A 4

D-Sub, male, straight,  
25 poles, turned  
solder pins and holes

Maßstab/  
Scale

1,5:1

TB 09 67 025 565X

Blatt/ Page

1 / 2

Sub.