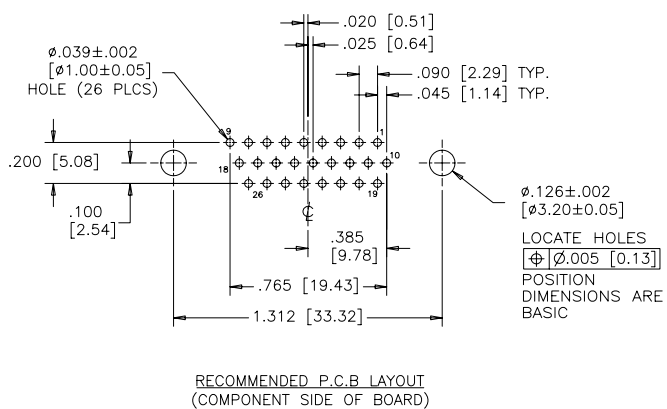
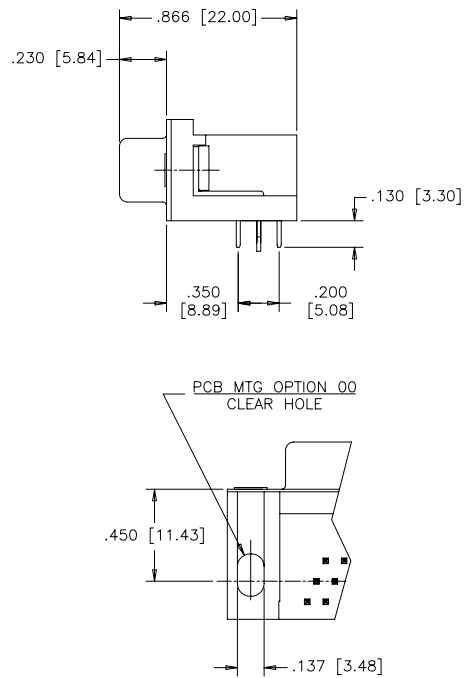
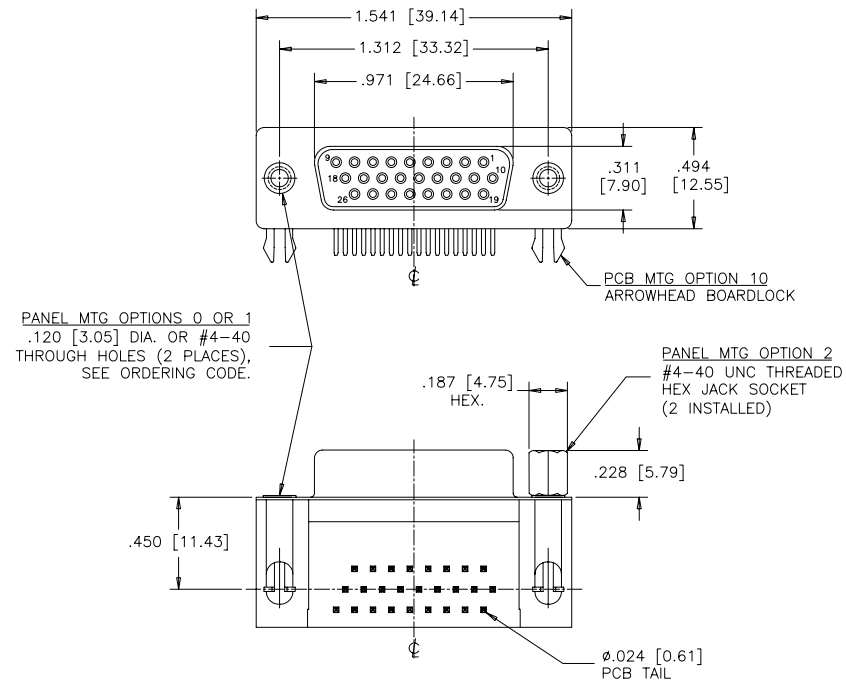


| REVISIONS | | | |
|-----------|-----------------------------|----------|--------|
| REV | ECN, ERN NO. | DATE | APPRD. |
| A | PRODUCT DRAWING (EAR 12992) | DEC12/06 | K.L. |



ORDERING CODE:
PART NUMBER: 1 7 E B H - 0 2 6 S A M - 2 1 0
SERIES
NUMBER OF CONTACTS 026
STYLE S= SOCKET
CONTACT PLATING OPTIONS FOR ENGAGEMENT AREA
AA= 3µ" [0.08 MICRONS] GOLD FLASH
CH= 15µ" [0.38 MICRONS] GOLD
AM= 30µ" [0.76 MICRONS] GOLD
PCB MOUNTING OPTIONS
00= CLEAR HOLE
10= ARROWHEAD BOARDLOCK
PANEL MOUNTING OPTIONS
0= .120 [3.05] CLEAR HOLE
1= #4-40 THREADED HOLE
2= #4-40 UNC THREADED HEX JACK SOCKETS

SPECIFICATIONS:

MATERIALS: ALL MATERIALS ARE RoHS COMPLIANT.
SHELLS: STEEL, TIN PLATED.
INSERTS: HIGH TEMPERATURE RESISTANT NYLON, GLASS REINFORCED, UL FLAMMABILITY RATING 94V-0, COLOUR: BLACK.
CONTACTS: COPPER ALLOY, GOLD PLATING (SEE ORDERING CODE) OVER 50µ" [1.27 MICRONS] NICKEL ON ENGAGEMENT AREA WITH 100µ" [2.54 MICRONS] MIN. MATTE TIN ON CONTACT TERMINALS.
BOARDLOCK: COPPER ALLOY, TIN PLATED.

ELECTRICAL DATA:

CURRENT RATING: 3 AMP
CONTACT RESISTANCE: 15 MILLIOHMS MAX.
INSULATION RESISTANCE: 5000 MEGOHMS MIN.
DIELECTRIC WITHSTANDING VOLTAGE: 1000 VAC rms
OPERATING TEMPERATURE: -55°C TO +105°C

THIS DOCUMENT CONTAINS PROPRIETARY INFORMATION AND SUCH INFORMATION MAY NOT BE DISCLOSED TO OTHERS FOR ANY PURPOSE OR USED FOR MANUFACTURING PURPOSES WITHOUT WRITTEN PERMISSION FROM AMPHENOL CANADA CORP.

| | | | |
|-------------------|--------------|------|----------|
| DRAWN | J.LEE | DATE | DEC12/06 |
| DESIGNED | | | |
| CHECKED | K.LAMBIE | DATE | DEC12/06 |
| I. E. APPRD. | | | |
| Q. A. APPRD. | | | |
| DWG. APPRD. | | | |
| ENG. REL. NO. | | | |
| REF. | EAR 12992 | | |
| DIMENSIONS ARE IN | CODE ID. NO. | | |
| INCHES [mm] | 03554 | | |

Amphenol Canada Corp.

TITLE: 17EBH SERIES HIGH DENSITY D-SUB CONNECTOR, 26 SIZE SOCKET, RIGHT ANGLE PCB CONTACTS, PLATING & MOUNTING OPTIONS, RoHS COMPLIANT

| | | |
|-----|--------------------|------|
| DWG | DRAWING NO. | REV. |
| C | P-17EBH-026SXX-XX0 | A |

SCALE 2/1 WT. _____ SURF. _____ SHEET 1 OF 1