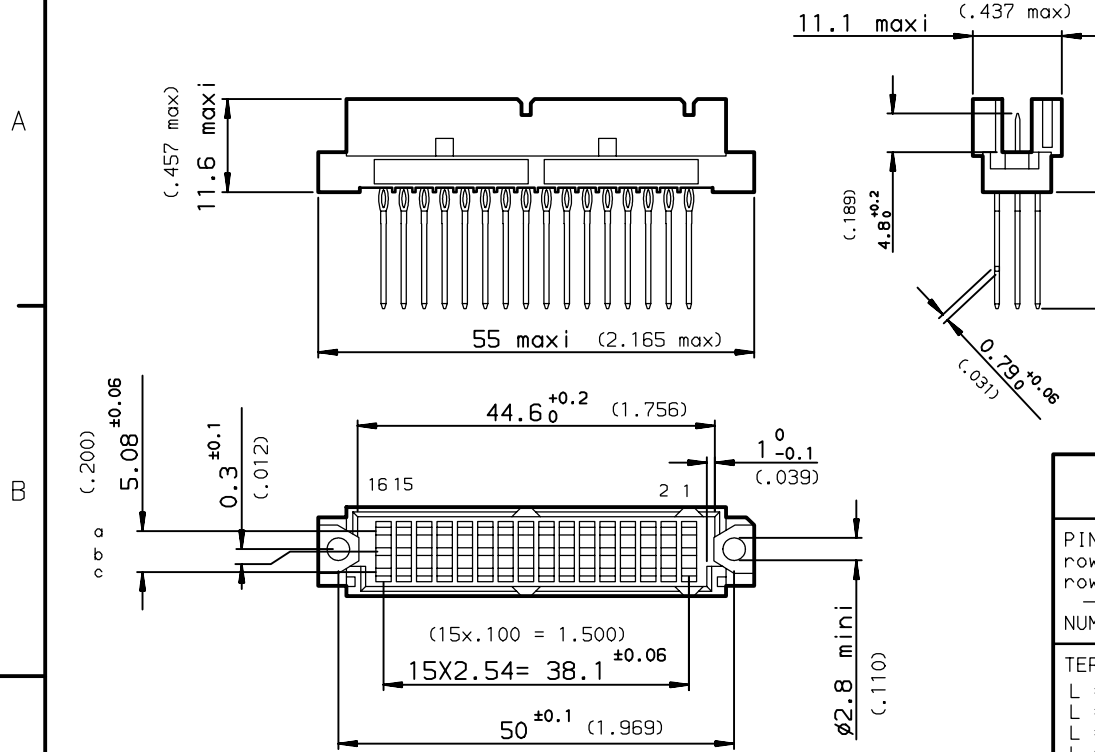


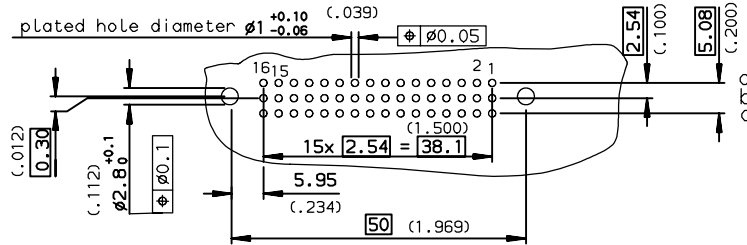
DIMENSIONS mm (inches)



PART NUMBER	8609			76		7		5	
PIN OUT	rows a-b-c	---	---	3	---	---	---	48	
	rows a-c	---	---	4	---	---	---	32	
NUMBER OF CONTACTS									
TERMINATION									
L = 13.25 ±0.25 (.521)	---	---	---	1 wrap	---	---	---	91	
L = 17.25 ±0.25 (.679)	---	---	---	2 wraps	---	---	---	92	
L = 20.00 ±0.25 (.787)	---	---	---	3 wraps	---	---	---	93	
L = 4.20 ±0.25 (.165)	---	---	---	short post	---	---	---	94	
PERFORMANCE CLASS									
DIN 41612 class 3	---	---	---	---	---	---	---	4	
DIN 41612 class 2	---	---	---	---	---	---	---	5	
DIN 41612 class 1	---	---	---	---	---	---	---	6	
TERMINATION TYPE									
TIN LEAD	---	---	---	---	---	---	---	---	000E1
LEAD FREE	---	---	---	---	---	---	---	---	E1LF

PCB DRILLING

component side



GENERAL CHARACTERISTICS AND ROHS INFORMATIONS:

SEE DRAWING C-8609-0000C

European Views

www.fciconnect.com		surface	tolerance std	projection	mm	
		ISO 1302	ISO 406 ISO 1101		mm	
TOLERANCES UNLESS OTHERWISE SPECIFIED						
Dr	ROUILLARD	1992/07/07	ANGULAR	0.X	±0.1	size
Eng	TARON	1992/07/07	LINEAR	0.XX	±0.1	A3
Chr	LEGARE	1992/07/07	0.XX' ±2'	0.XXX	±0.1	Scale
Appr	LEGARE	1992/07/07	Product family	DIN 8609		ECN
			Spec ref		L506-0095	
		title			Rev.	
		STRAIGHT MALE - STYLE R/2			C-8609-0282	
		PRESS FIT			G	
catalog no		-			CUSTOMER sheet 1 of 1	

rev	ecn no	dr	date
E	-	ROU	1999/04/22
F	L505-004	JTA	2005/02/25
G	L506-0095	LGO	2006/06/15
-	-	-	-
-	-	-	-
-	-	-	-