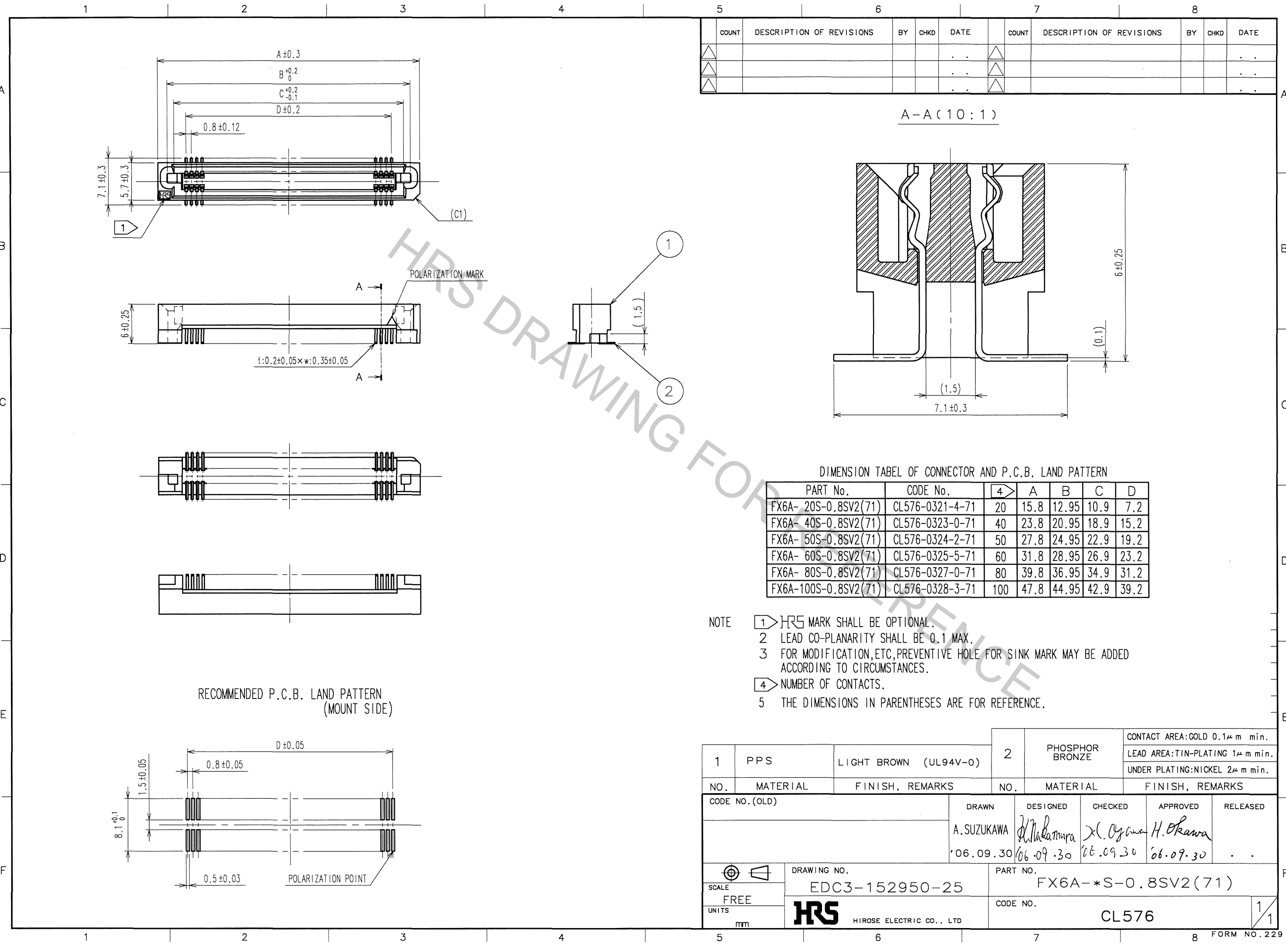
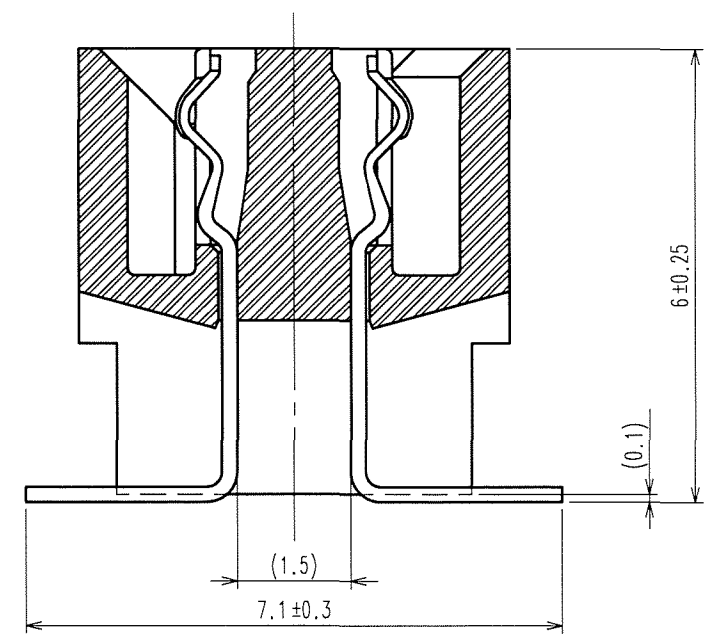


Apr.1.2017 Copyright 2017 HIROSE ELECTRIC CO., LTD. All Rights Reserved.



COUNT	DESCRIPTION OF REVISIONS	BY	CHKD	DATE	COUNT	DESCRIPTION OF REVISIONS	BY	CHKD	DATE
△					△				
△					△				
△					△				

A-A (10:1)

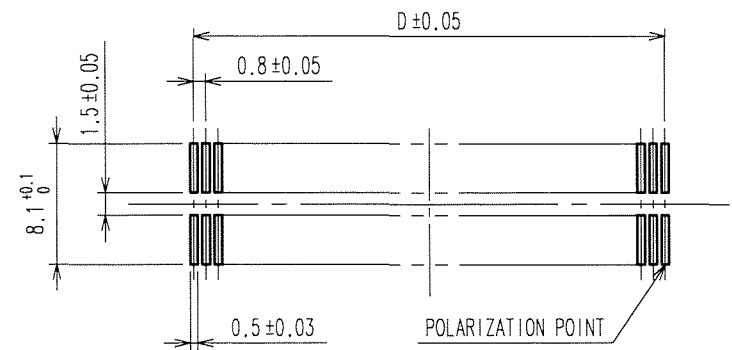


DIMENSION TABLE OF CONNECTOR AND P.C.B. LAND PATTERN

PART No.	CODE No.	4	A	B	C	D
FX6A- 20S-0.8SV2(71)	CL576-0321-4-71	20	15.8	12.95	10.9	7.2
FX6A- 40S-0.8SV2(71)	CL576-0323-0-71	40	23.8	20.95	18.9	15.2
FX6A- 50S-0.8SV2(71)	CL576-0324-2-71	50	27.8	24.95	22.9	19.2
FX6A- 60S-0.8SV2(71)	CL576-0325-5-71	60	31.8	28.95	26.9	23.2
FX6A- 80S-0.8SV2(71)	CL576-0327-0-71	80	39.8	36.95	34.9	31.2
FX6A-100S-0.8SV2(71)	CL576-0328-3-71	100	47.8	44.95	42.9	39.2

- NOTE
- 1 HRS MARK SHALL BE OPTIONAL.
  - 2 LEAD CO-PLANARITY SHALL BE 0.1 MAX.
  - 3 FOR MODIFICATION, ETC, PREVENTIVE HOLE FOR SINK MARK MAY BE ADDED ACCORDING TO CIRCUMSTANCES.
  - 4 NUMBER OF CONTACTS.
  - 5 THE DIMENSIONS IN PARENTHESES ARE FOR REFERENCE.

RECOMMENDED P.C.B. LAND PATTERN (MOUNT SIDE)



TO PCK

1	PPS	LIGHT BROWN (UL94V-0)	2	PHOSPHOR BRONZE	CONTACT AREA:GOLD 0.1μm min. LEAD AREA:TIN-PLATING 1μm min. UNDER PLATING:NICKEL 2μm min.	
NO.	MATERIAL	FINISH, REMARKS	NO.	MATERIAL	FINISH, REMARKS	
CODE NO. (OLD)		DRAWN	DESIGNED	CHECKED	APPROVED	RELEASED
		A.SUZUKAWA	<i>H. Nakamura</i>	<i>J. Ogasawara</i>	<i>H. Okawa</i>	
		'06.09.30	'06.09.30	'06.09.30	'06.09.30	
DRAWING NO.		PART NO.				
EDC3-152950-25		FX6A-*S-0.8SV2(71)				
SCALE		CODE NO.				
FREE		CL576				
UNITS						
mm						