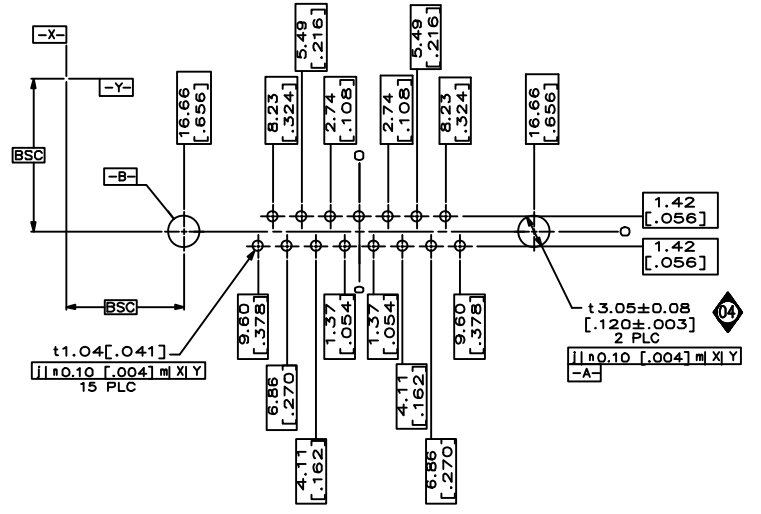
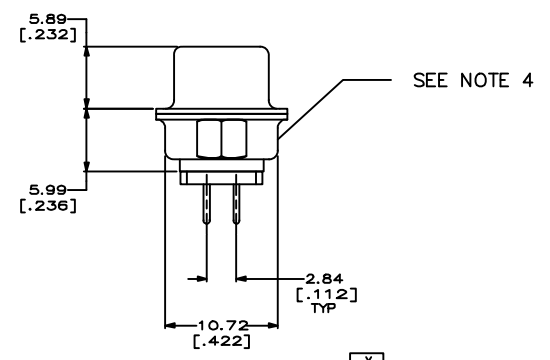
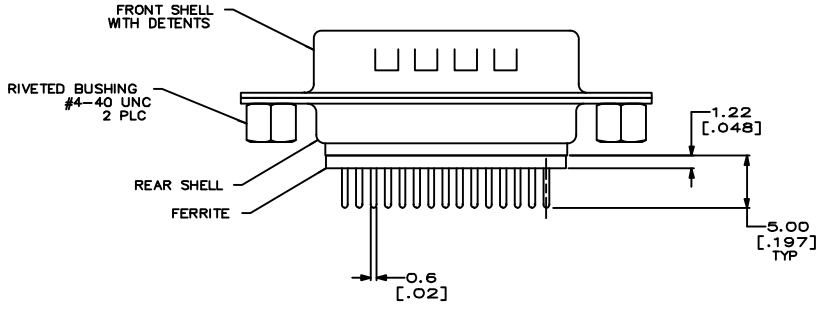


NOTES:

- MATERIAL
HOUSING: PBT, GLASS FILLED, UL RATED 94V-0, BLACK.
FRONT SHELL: CARBON STEEL.
CONTACTS AND BUSHINGS: BRASS.
- FINISH
FRONT SHELL: TIN PLATED.
CONTACTS: GOLD FLASH OVER 2.54 μ m [.000100] MIN NICKEL ON ENTIRE CONTACT AREA.
BUSHINGS: NICKEL PLATED.
- ELECTRICAL SPECIFICATIONS:
10-17 OHMS AT 30 MHz, TYP.
12-19 OHMS AT 50 MHz, TYP.
15-24 OHMS AT 100 MHz, TYP.
- SCI, 56-417-001 AND DATE CODE MARKED ON THIS SURFACE.



P.C. BOARD MOUNTING DIMENSIONS

		UNLESS OTHERWISE SPECIFIED DIMENSIONS ARE IN INCHES.		TOLERANCES UNLESS OTHERWISE SPECIFIED Fractions ± 1/64 Dec. .xxx ± .02 Dec. .xxx ± .005 Angles ± 0° 30'		FAIRVIEW PENNSYLVANIA	
		DO NOT SCALE.		CODE IDENT. NO. OLSP2		SPECTRUM CONTROL INC. Dwn. M. WJTECKI DATE 8-16-07	
		CN 36555-ENG	04	REV. NOTICE	REV. NO.	PLUG ASSEMBLY 15 POS., VERT. MNT.	
		CN.34918-CPD	03			56-417-001	
		CN 196177 REDRAWN	2			Sheet 1 of 1	

