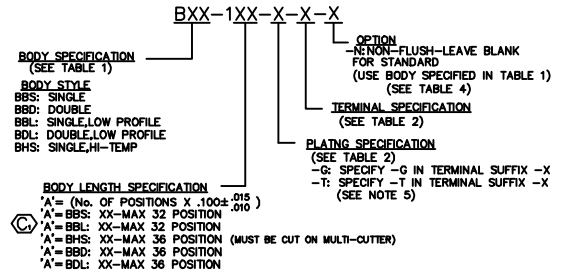
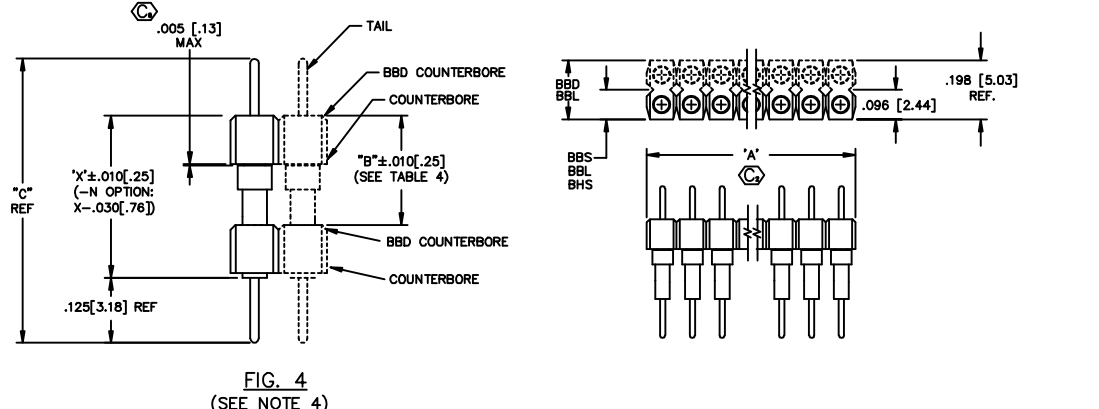
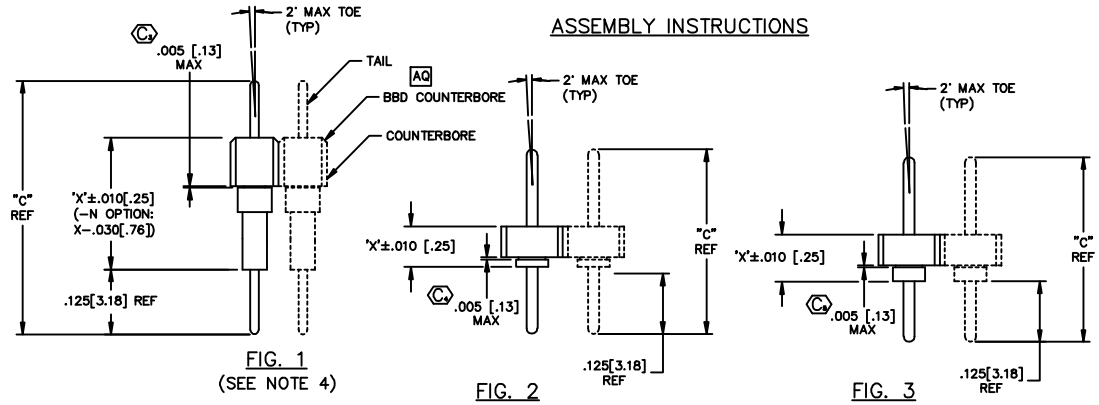


UNLESS OTHERWISE NOTED TOLERANCES ARE:
 DIMENSIONS ARE IN INCHES
 ONE PLACE DECIMALS: ± .1 [3] THREE PLACE DECIMALS: ± .005 [.13]
 TWO PLACE DECIMALS: ± .01 [.3] FOUR PLACE DECIMALS: ± .0020 [.051]

TITLE: ASSEMBLY BOARD TO BOARD SPACING
 ANGLES ± 2'

DWG NO: BXX-1XX-X-X-X
 SHEET 1 OF 1

ASSEMBLY INSTRUCTIONS



- NOTES:
 1.) MIN. PUSHOUT FORCE: 5 lbs FOR ALL EXCEPT BBL, FOR BBL: 2 lbs. MIN.
 2.) MAX ALLOWABLE BOW:
 FOR STRIPS MOLDED IN VALOX=.009 IN/IN
 FOR STRIPS MOLDED IN ULTEM=.003 IN/IN
 (FOR BHS ONLY: .004 IN/IN TOP TO BOTTOM, .008 IN/IN SIDE TO SIDE)
 (FOR BBL ONLY: .055 MAX.)
 3.) ⊕ REPRESENTS A CRITICAL DIMENSION.
 4.) ON BBD STYLE FILL WITH COUNTERBORE TOWARD TAILS, ALL OTHER STYLES FILL COUNTERBORE AWAY FROM TAILS.

TABLE 4

TERMINAL SPEC.	"B"
-G	.320 [8.13]
-G-N	.290 [7.37]
-N	.410 [10.41]

TABLE 1

BODY SPECIFICATION		
BODY STYLE	BODY	
	STANDARD	-N OPTION
BBS-	TBS-32	SSB-XX
BBD-	DSB-36	DSB-XX
BBL-	SSL-XX	N/A
BDL-	HSDL-XX	N/A
BHS-G(PLATING)	HTS-36-G	SSB-XX-U

TABLE 3 (4 POSITION MIN)

BODY	LEAD STYLE	PACKAGING TUBE	PLUG
BHS	A	PT-1-24-01-24	TP-24
	B	PT-1-24-02-03	TP-24
	D,H	PT-1-24-02-04	TP-07
	C,G	PT-1-24-10-03	TP-03
BBS	A	PT-1-24-01-24	TP-24
	B	PT-1-24-02-03	TP-24
	D,H	PT-1-24-02-04	TP-07
	C,G	PT-1-24-10-03	TP-03
BBD	A	PT-1-24-01-22	TP-03
	B	PT-1-24-06-03	TP-07
	D,H	PT-1-24-08-03	TP-09
	C,G	PT-1-24-01-74	TP-07
BBL	ALL	PT-1-24-01-23	TP-12
	BDL	ALL	PT-1-24-01-14

PACKAGING

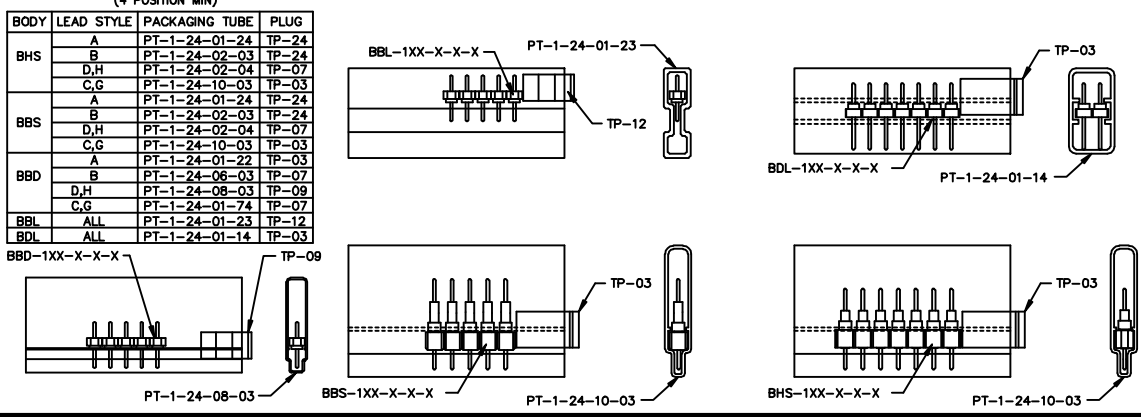


TABLE 2

LEAD STYLE	BODY SPEC.		FIG.	BODY SPEC.	
	BBS,BBD,BHS	"X"		BBL,BDL	"X"
A	T-1R14-1-X	.210 [5.35]	1	.460 [11.68]	N/A
B	T-1R14-2-X	.335 [8.51]	1	.585 [14.86]	N/A
C	T-1R14-3-X	.585 [14.86]	1	.835 [21.21]	N/A
D	T-1R14-4-X	.835 [21.21]	1	1.085 [27.56]	N/A
E	N/A			T-1R6-X	.070 [1.78]
F	N/A			T-2R6-X	.085 [2.16]
G	T-1R14-5-X	.585 [14.86]	4	.835 [21.21]	N/A

PROPRIETARY NOTE
 THIS DOCUMENT CONTAINS INFORMATION CONFIDENTIAL AND PROPRIETARY TO SAMTEC INC. AND SHALL NOT BE REPRODUCED OR TRANSMITTED IN ANY FORM OR BY ANY MEANS, ELECTRONIC OR MECHANICAL, INCLUDING PHOTOCOPYING, RECORDING, OR BY ANY INFORMATION STORAGE AND RETRIEVAL SYSTEM, WITHOUT THE EXPRESS WRITTEN CONSENT OF SAMTEC INC.

MATERIAL: GLASS FILLED POLYESTER COLOR: BLACK
 TERMINAL: PHOSPHOR BRONZE OR BRASS
 samtec
 520 PARK EAST BLVD. NEW ALBANY, INDIANA 47150
 PHONE (812) 944-6733 P.O. BOX 1147
 CODE 56322
 MADE BY: TY 2-18-85
 DESIGNED BY: L. WILLIAMS 2-23-85
 BXX-1XX-X-X-X
 SHEET 1 OF 1