

# Customer Information Sheet

DRAWING No.: M80-666XXX

SHEET 2 OF 2

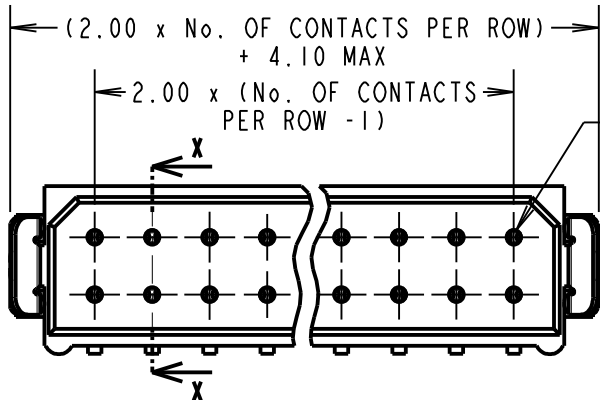
IF IN DOUBT - ASK

©

NOT TO SCALE

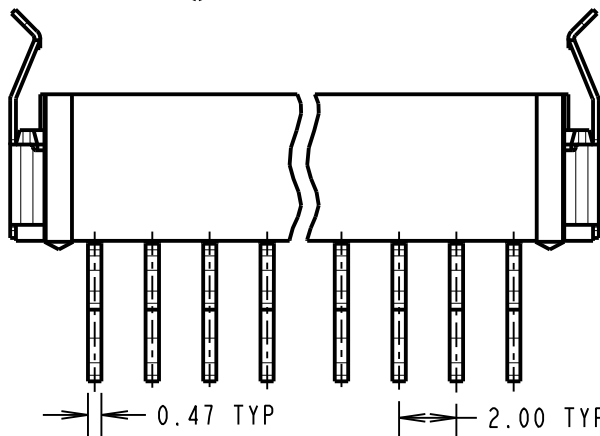
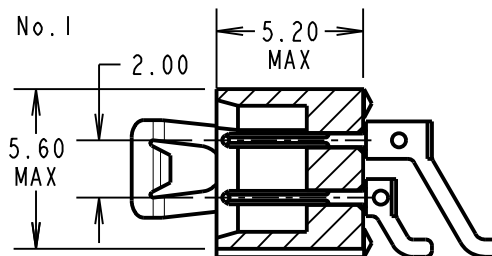
THIRD ANGLE PROJECTION

ALL DIMENSIONS IN mm

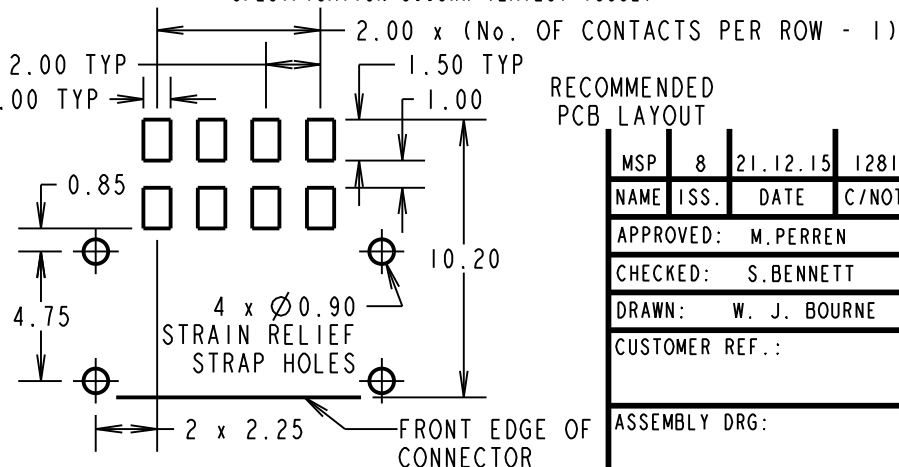
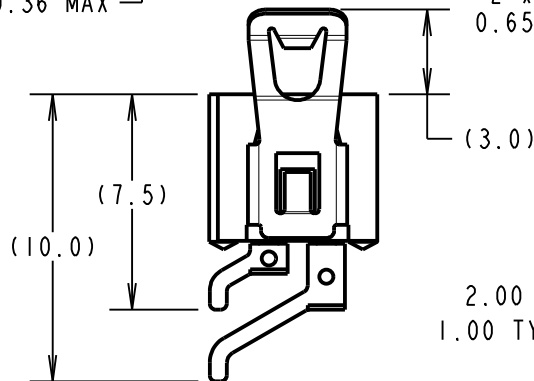


CONTACT No. 1

SECTION X-X



0.36 MAX



RECOMMENDED PCB LAYOUT

**SPECIFICATIONS:**

**MATERIAL:**

MOULDING = GLASS-FILLED PPS, UL94V-0, BLACK  
CONTACT = BRASS  
LATCH = BERYLLIUM COPPER

**FINISH:**

**CONTACT:**

22 = 0.75µ GOLD ON CONTACT AREA,  
3µm 90/10 TIN/LEAD ON TAILS  
42 = 0.75µ GOLD ON CONTACT AREA,  
3µm 100% TIN ON TAILS  
45 = 0.75µ GOLD OVER NICKEL  
LATCH = 1.25µ NICKEL

**ELECTRICAL:**

CURRENT RATING AT 25°C = 3.0A MAX  
CURRENT RATING AT 85°C = 2.2A MAX  
WORKING VOLTAGE = 800V AC/DC  
VOLTAGE PROOF = 1200V AC/DC  
CONTACT RESISTANCE = 25mΩ MAX  
INSULATION RESISTANCE = 100MΩ MIN

**MECHANICAL:**

DURABILITY = 500 OPERATIONS

**ENVIRONMENTAL:**

TEMPERATURE RANGE = -55°C TO +125°C

**PACKING:**

TUBE, 2-OFF STRAIN RELIEF STRAPS PER CONNECTOR IN BAG  
FOR COMPLETE SPECIFICATION, SEE COMPONENT SPECIFICATION C005XX (LATEST ISSUE)

**ORDER CODE:**

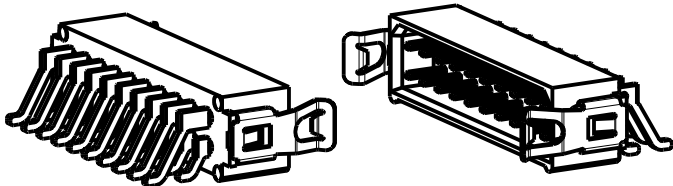
**M80-666XXX**

**No. OF CONTACTS**

04, 06, 08, 10, 12, 14,  
16, 18, 20, 26, 34

**FINISH**

22 - GOLD, 90/10 TIN/LEAD  
42 - GOLD, 100% TIN  
45 - ALL OVER GOLD



**HARWIN**

www.harwin.com  
technical@harwin.com

THIS DRAWING AND ANY INFORMATION OR DESCRIPTIVE MATTER SET OUT HEREON ARE CONFIDENTIAL AND COPYRIGHT PROPERTY OF THE HARWIN GROUP AND MUST NOT BE DISCLOSED, LOANED, COPIED OR USED FOR MANUFACTURING, TENDERING OR FOR ANY OTHER PURPOSE WITHOUT THEIR WRITTEN PERMISSION.

**TOLERANCES**

X. = ±1mm  
X.X = ±0.50mm  
X.XX = ±0.10mm  
X.XXX = ±0.01mm  
ANGLES = ±5°  
UNLESS STATED

**MATERIAL:**

SEE ABOVE

FINISH: SEE ABOVE

S/AREA:

mm<sup>2</sup>

**TITLE:**

DATAMATE L-TEK  
MALE DIL HORIZONTAL SMT  
ASSEMBLY (LATCHED)

DRAWING NUMBER:

**M80-666XXX**

SHT  
2 OF 2

MSP	8	21.12.15	12814
NAME	ISS.	DATE	C/NOTE
APPROVED: M.PERREN			
CHECKED: S.BENNETT			
DRAWN: W. J. BOURNE			
CUSTOMER REF.:			
ASSEMBLY DRG:			