



PRODUCT NUMBER  
20020618-MXXXXXL F

20020618-□ □ □ □ A 0 □ L F

PITCH  
M: 7.62 mm

POLES  
02: 2 POLES  
03: 3 POLES  
04: 4 POLES  
16: 16 POLES

LF : DENOTED RoHS COMPATIBLE  
1 : STANDARD PRODUCT  
W/ BOX PACKING

HOUSING CODE

CODE	COLOR	AVAILABILITY
1	GREEN(RAL 6018/T)	STANDARD
2	BLACK	ON REQUEST ONLY
3	GREY(RAL 7004/P)	ON REQUEST ONLY
4	BLUE(RAL 5015/A)	ON REQUEST ONLY

PROPERTY TABLE	
FCI SERIES NAME	07-762
PITCH (mm)	7.62
VOLTAGE RATING (VAC)	300
CURRENT RATING (A)	32
WITHSTANDING VOLTAGE (kV)	1.6
OPERATING TEMP. (°C)	-40~+115
SOLDERING TEMP. (°C)	250±10 (5 sec.)
POLES AVAILABLE	02~16
SAFETY CERTIFICATE	

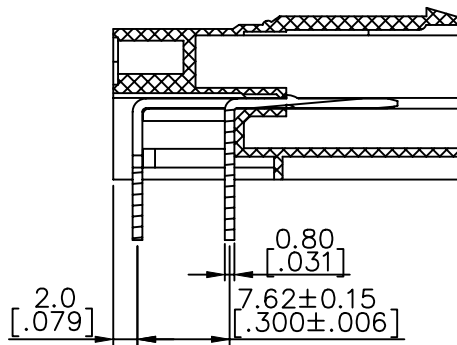
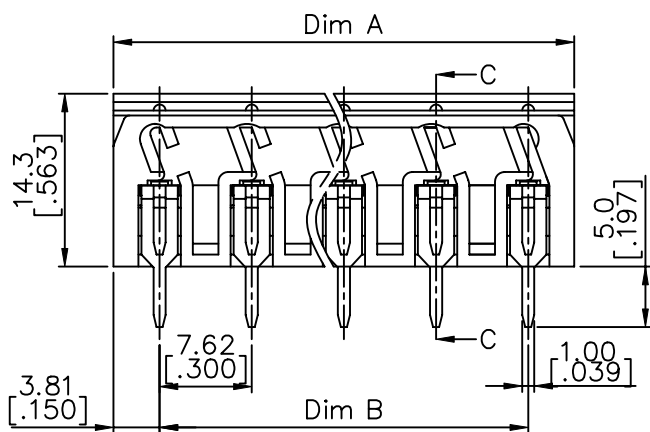
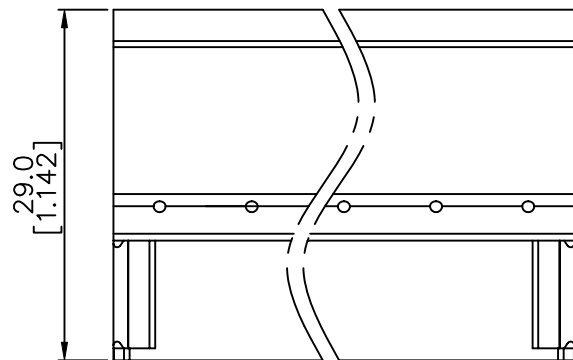
- NOTES:  
 MATERIALS  
 1-1 HOUSING: THERMALPLASTIC RESIN, UL 94V-0 RATED.  
 1-2 TERMINAL: COPPER ALLOY, TIN PLATED.  
 2. PRODUCTION SPECIFICATION REFER TO FCI GS-12-625.  
 3. BOXED PACKAGING.  
 DETAILED PRODUCT PACKING SPECIFICATION REFER TO FCI GS-14-1394.  
 4. FCI, SAFETY CERTIFICATE LOGO AND SERIES NAME TO BE SHOWN ON PRODUCT SURFACE.  
 5. THE PRODUCTS WHERE THE PART NUMBER END IN "LF" MEET THE EUROPEAN UNION DIRECTIVE AND OTHER COUNTRY REGULATIONS AS DESCRIBED IN GS-22-008.  
 6. RECOMENDED SOLDERING PROCESS BY WAVE SOLDER.

mat'l. code				surface ASME Y14.5		tolerance ASME Y14.5		projection		product family	
ltr	ecn no	dr	date	tolerances unless otherwise specified		tolerances unless otherwise specified				TERMINAL BLOCK	
A	0609-0203	BF	062509	angles to file	X.±0.5[.020]	X.X±0.3[.012]	MM	[INCH]	title		
B	T09-1148	BF	111709		TERMINAL BLOCK						
C	T10-0042	WL	030310	X*±1*	X.XX±0.1[.004]	scale		PLUGGABLE SOCKET, RIGHT ANGLE			
D	T10-0159	WL	100410	dr	BEER FU	062509			sheet 1 of 2 size		
E	T10-0187	WL	121410	enr	BEER FU	062509			20020618		A4
F	T-004746	WL	072211	chr	GARY HSIEH	062509			type		CUSTOMER Drawing
				appd	JOSEPH HSIA	062509					
sheet index	revision sheet	F 1	F 2								

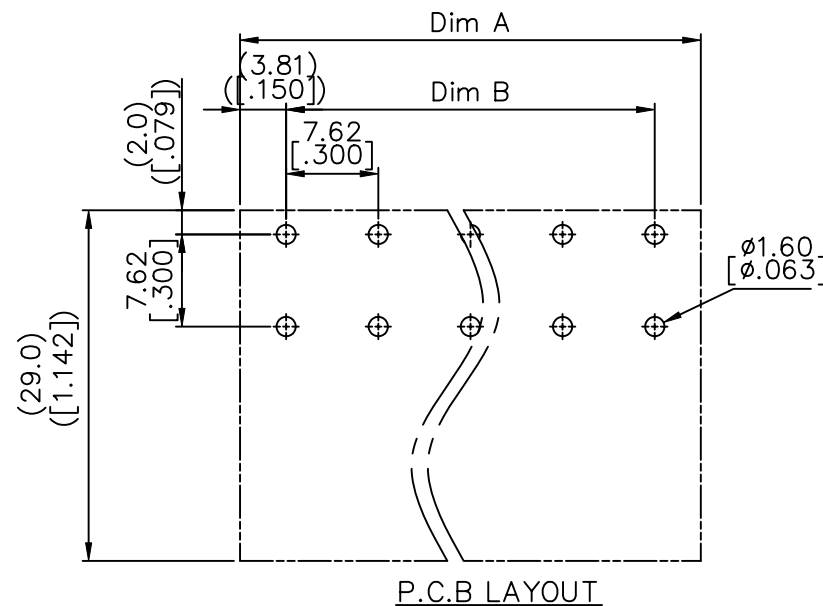
PRODUCT NUMBER	SERIES NAME	PITCH
20020618-MXXXXXXLF	07-762	7.62 mm

N = NUMBER OF POLES  
 Dim A =  $N \times 7.62 [ .300 ]$   
 Dim B =  $(N-1) \times 7.62 [ .300 ]$

Poles	Tol.	Dim A	Dim B
2-5p		$\pm 0.20 [ .008 ]$	
6-10p		$\pm 0.30 [ .012 ]$	
11-13p		$\pm 0.35 [ .014 ]$	
14-16p		$\pm 0.40 [ .016 ]$	



SECTION C-C



P.C.B LAYOUT

mat'l. code		surface ASME Y14.5 ✓	tolerance ASME Y14.5	projection ⊕	product family TERMINAL BLOCK											
ltr	ecn no	dr	date	tolerances unless otherwise specified	title											
F				<table border="1"> <tr> <td>angles</td> <td>X. ±0.5 [ .020 ]</td> </tr> <tr> <td>in</td> <td>X.X ±0.3 [ .012 ]</td> </tr> <tr> <td>X°±1'</td> <td>X.XX ±0.1 [ .004 ]</td> </tr> </table>	angles	X. ±0.5 [ .020 ]	in	X.X ±0.3 [ .012 ]	X°±1'	X.XX ±0.1 [ .004 ]	<table border="1"> <tr> <td>MM</td> <td>→</td> </tr> <tr> <td>[INCH]</td> <td>←</td> </tr> </table>	MM	→	[INCH]	←	TERMINAL BLOCK PLUGABLE, SOCKET, POWER, R/A
angles	X. ±0.5 [ .020 ]															
in	X.X ±0.3 [ .012 ]															
X°±1'	X.XX ±0.1 [ .004 ]															
MM	→															
[INCH]	←															
dr	BEER FU	062509		scale	dwg no											
enr	BEER FU	062509			sheet 2 of 2 size											
chr	GARY HSIEH	062509			20020618	A4										
appd	JOSEPH HSIA	062509		type	CUSTOMER Drawing											
sheet index	revision sheet															