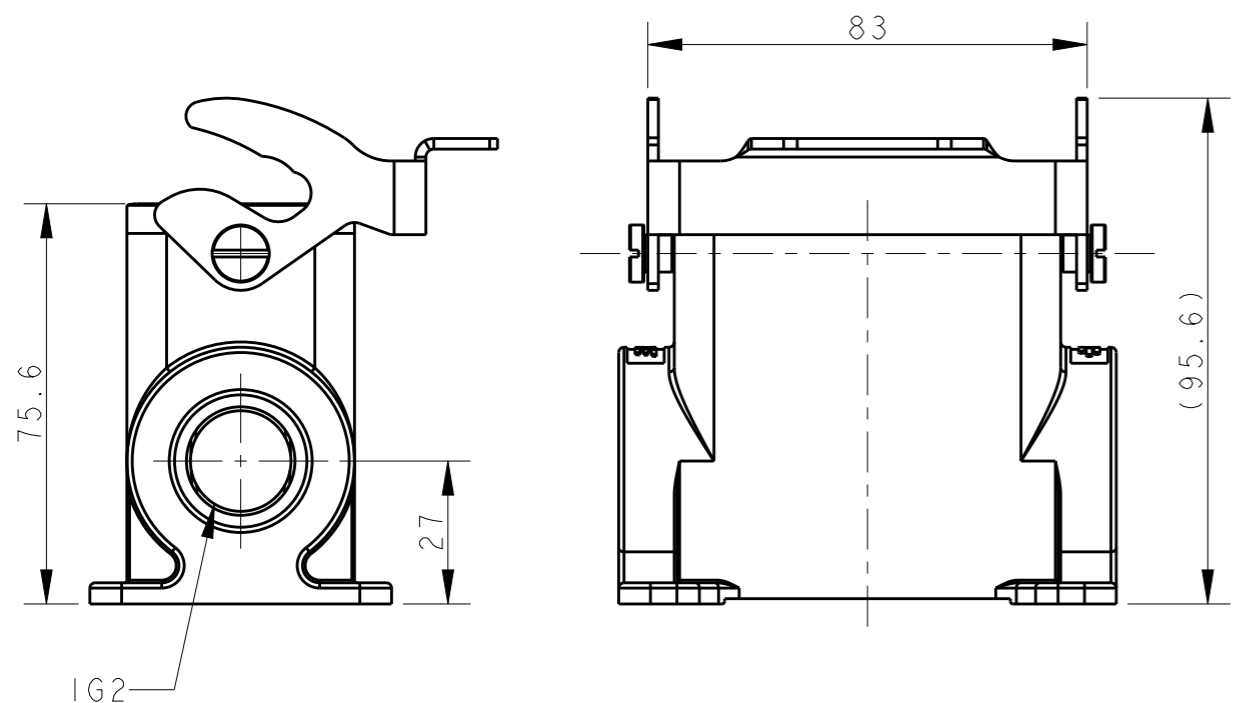
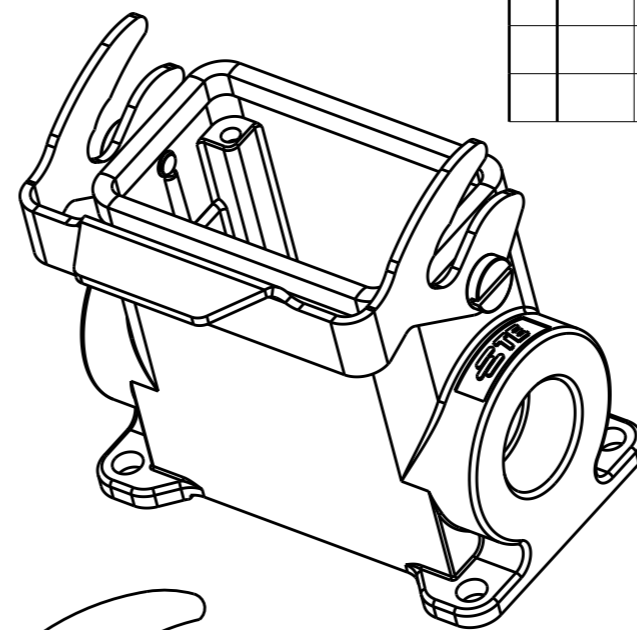
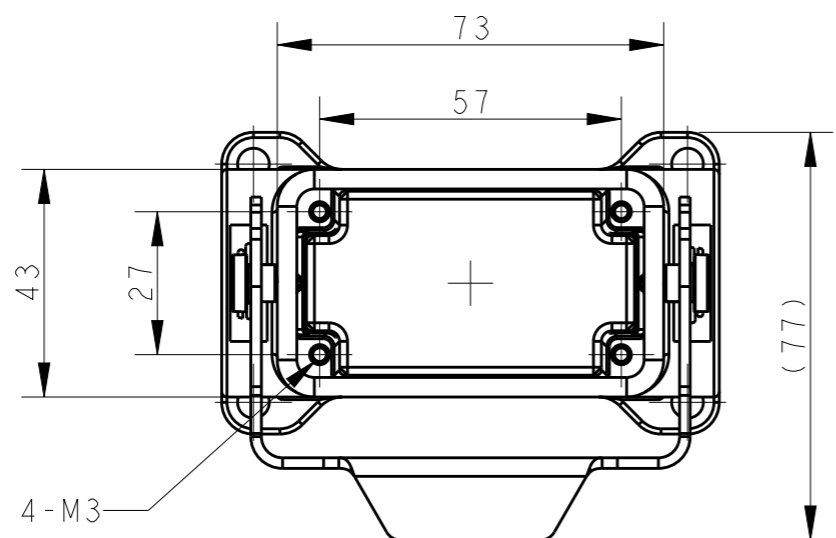


REVISIONS

| P | LTR | DESCRIPTION | DATE | DWN | APVD |
|---|-----|-----------------|-----------|-----|------|
| | A | INITIAL RELEASE | 08JUL2015 | DL | CW |
| | | | | | |
| | | | | | |

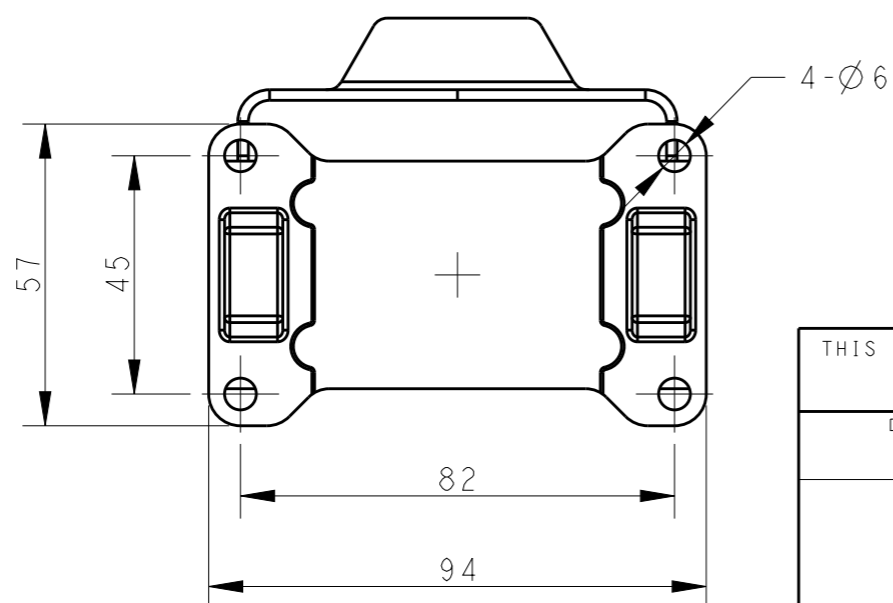


NOTES:

- 1. TECHNICAL CHARACTERISTICS:
 BODY MATERIAL: DIE CAST ALUMINIUM ALLOY
 SURFACE TREATMENT: POWDER-COATED, GRAY
 OPERATION TEMPERATURE: -40-+125°C
 DEGREE OF PROTECTION: IP65 (MATED)

注释:

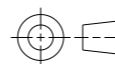
- 1. 技术参数:
 主体材料: 铝合金
 表面处理: 粉末喷涂, 灰色
 工作温度: -40-+125°C
 防护等级: IP65(配合)



| | | | |
|----------------------|---------------------------|------|------|
| TI650103121-000 | H10B-SGRH-LB-PG21 | PG21 | - |
| TI650103129-000 | H10B-SGRH-LB-PG29 | PG29 | - |
| TI650103132-000 | H10B-SGRH-LB-M32 | M32 | - |
| TI650103221-000 | H10B-SGRH-LB-2PG21 | PG21 | PG21 |
| TI650103225-000 | H10B-SGRH-LB-2M25 | M25 | M25 |
| TI650103229-000 | H10B-SGRH-LB-2PG29 | PG29 | PG29 |
| TI650103232-000 | H10B-SGRH-LB-2M32 | M32 | M32 |
| TI650102532-000 | H10B-SGRH-LB-M25/M32 | M25 | M32 |
| ASSEMBLY PART NUMBER | ASSEMBLY PART DESCRIPTION | IG1 | IG2 |

THIS DRAWING IS A CONTROLLED DOCUMENT.

DIMENSIONS:
mm



TOLERANCES UNLESS OTHERWISE SPECIFIED:

| | |
|--------|-----|
| 0 PLC | ±.0 |
| 1 PLC | ±.0 |
| 2 PLC | ±.0 |
| 3 PLC | ±.0 |
| 4 PLC | ±.0 |
| ANGLES | ±.0 |
| FINISH | - |

MATERIAL
TBD

DWN 08JUL2015

DAVID LI

CHK 08JUL2015

CHRIS WANG

APVD 08JUL2015

XU XIANG

PRODUCT SPEC

108-137013

APPLICATION SPEC

114-137013

WEIGHT

-

CUSTOMER DRAWING



TE Connectivity

NAME
H10B-SGRH-LB-PG/M

SIZE CAGE CODE DRAWING NO RESTRICTED TO

A3 - C-TI65010XXXX000 -

SCALE 7:10 SHEET 1 OF 1 REV A