

1-1418448-1 AS SHOWN
 1-1418448-1 wie gezeigt

| LOC | DIST | REV | DATE | BY | CHK | APPV |
|-----|------|-----|-----------|-----|--------|------|
| A1 | - | H1 | 31JAN2012 | MAH | KRAUSS | |
| | | J | 23MAY2012 | MN | SKR | |
| | | J1 | 15MAY2015 | SK | KRAUSS | |
| | | J2 | 28APR2016 | MAH | GILC | |

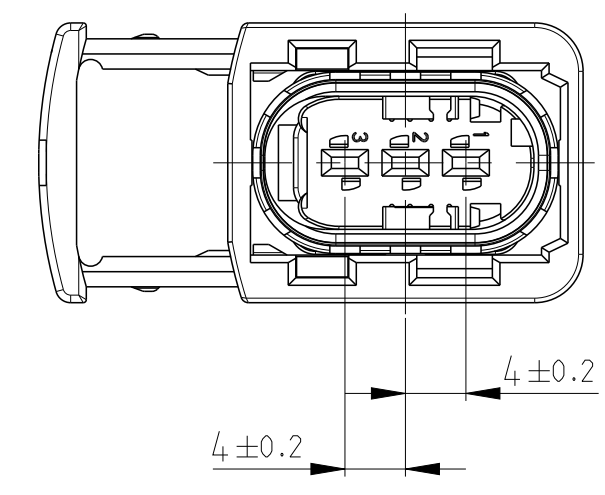
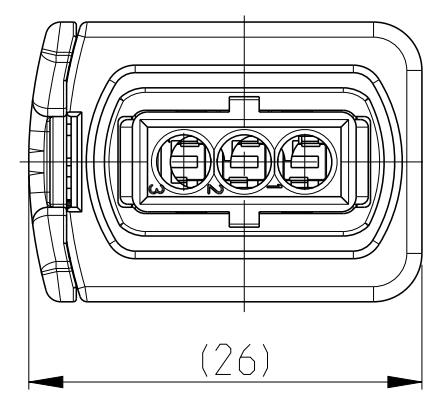
DELIVERY CONDITION:
 Lieferzustand:

SECONDARY LOCKING AND SLIDE
 IN PRE-LOCKED POSITION
 2. Kontaktsicherung und Schieber
 in Vorraststellung

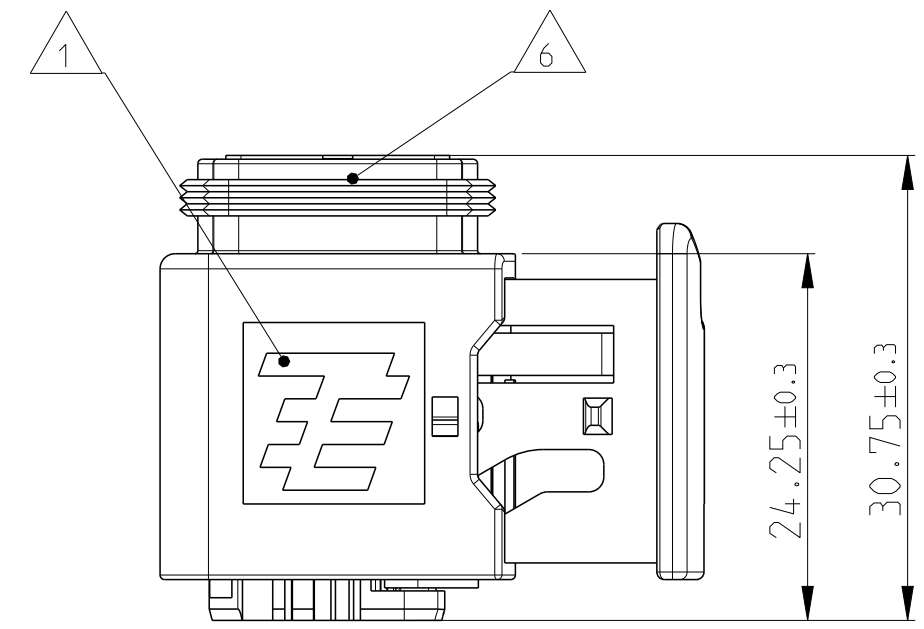
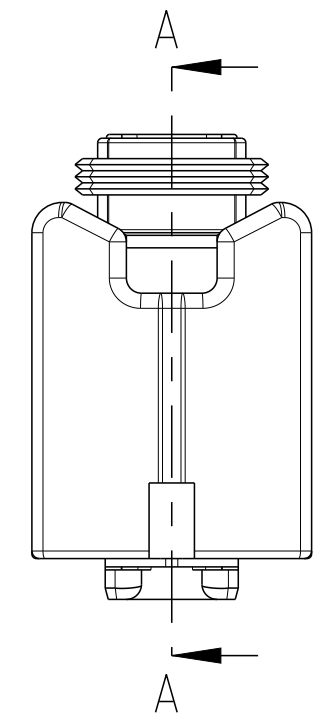
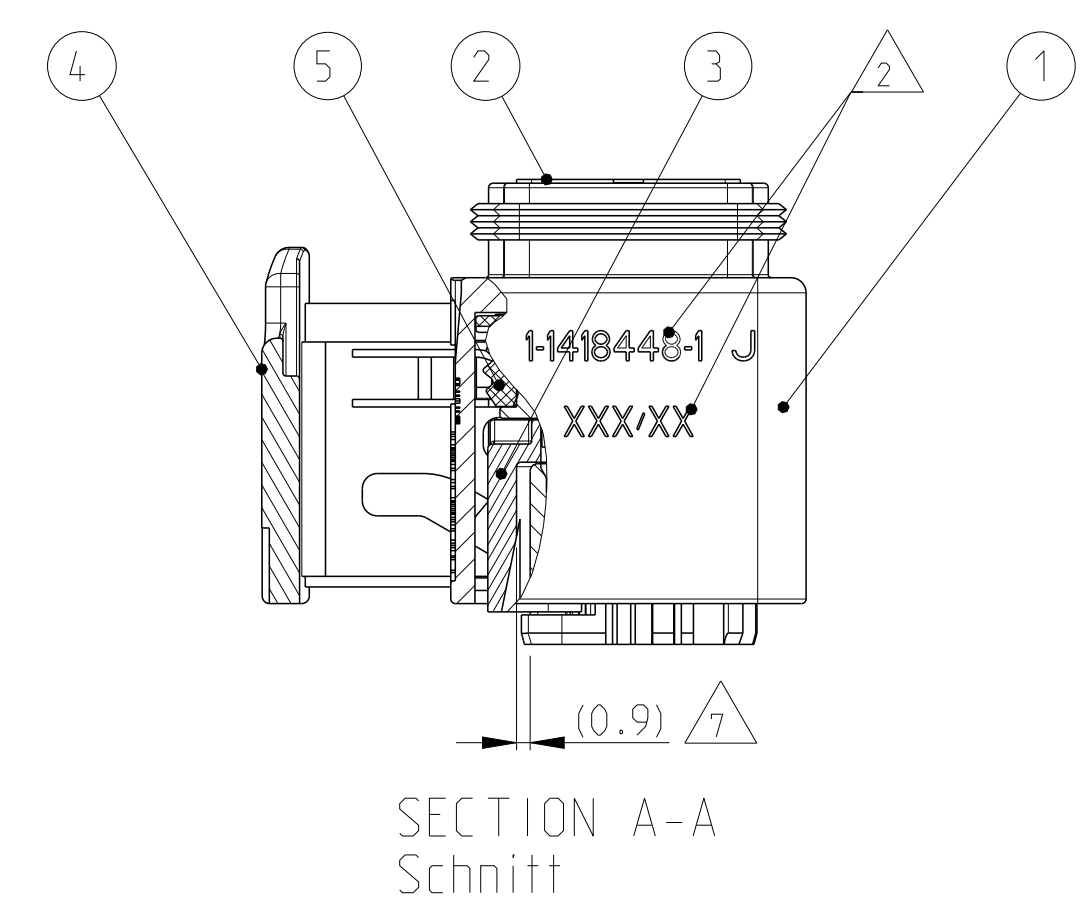
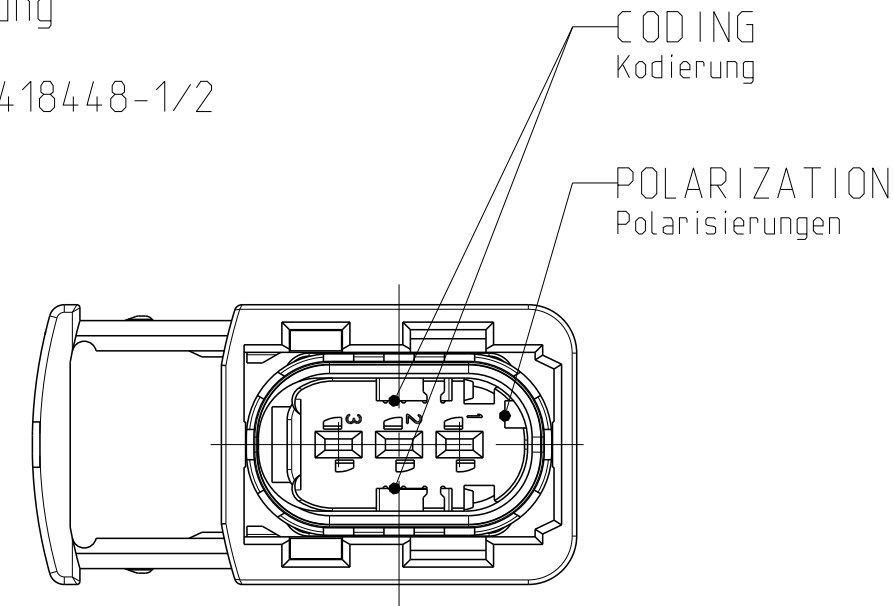
NOTES
 Bemerkungen

- 1 TE LOGO
TE Logo
 - 2 ASSY PN, PRODUCTION DATE (CALENDAR DAY/YEAR):
MARKING OPTIONAL AS LASER ENGRAVING OR
LASER WITH COLOR CHANGE
Assy PN, Produktionsdatum (Kalendertag/Jahr):
Beschriftung wahlweise als Lasergravur oder Laser mit Farbumschlag
 - 3 BULK PACKAGING IN CORRUGATED BOX
Schuetztgut im Versandkarton
 - 4 CAVITY NUMBERING
Kammer Bezeichnung
 - 5 CAVITIES MATED WITH AMP MCP 1.5k
SEE PRODUCT GROUP DRAWING
TE NO: 1241436
MAX. WIRE SIZE: 1.5mm² FLR
- STANDARD APPLICATION:
 AT TEMPERATURE UP TO 120 DEGREE CELSIUS.
 SINGLE WIRE SEAL PN 0-2287497-1 AT WIRE SIZE 1.5mm² FLR
 RECOMMENDED.
- RECOMMENDATION FOR APPLICATION TEMPERATURES UP TO
 140 DEGREE CELSIUS. SINGLE WIRE SEAL
 PN 0-964972-1. WIRE SIZE: 1.5mm² FLR (AWG 16 TXL)
 BUT SLIGHTLY HINDERED MOUNTING.
- Kontaktkammern passend fuer AMP MCP 1.5k
 siehe Produktgruppenzeichnung
 TE Nr: 1241436
 max. Drahtgrossenbereich: 1.5mm² FLR
- Standard Anwendung:
 Bei Einsatztemperatur bis 120°C
 Einzelleiterdichtung 0-2287497-1 bei Leitergrosse 1.5mm² FLR empfohlen.
- Bei Einsatztemperaturen bis 140°C empfehlen wir bei dem
 Drahtgrossenbereich 1.5mm² FLR (AWG 16 TXL) die Einzelleiterdichtung
 PN 964972-1,
 jedoch mit leicht erschwelter Bestueckbarkeit.
- 6 SUITABLE COVERS SEE DRAWING: 1670150, 1670365
Passende Kappen siehe Zeichnung: 1670150, 1670365
 - 7 SLIDING DISTANCE OF SECONDARY LOCKING
Verschiebeweg der 2. Kontaktsicherung
 - 8 FITS TO TE INTERFACE DRAWING 114-18743-1
Passend zur Ausfuhrungsvorschrift 114-18743-1
 - 9 SUITABLE COUNTERPART SEE DRAWING: 1670730, 1703843
passendes Gegenstueck siehe Zeichnung: 1670730, 1703843
 - 10 MALFUNCTION CAUSED BY LACQUER IS NOT
COVERED BY TE WARRANTY.
Funktionsbeeintraechtigung durch Lackieren liegt nicht im
Einfluss und Gewährleistungsumfang von TE.

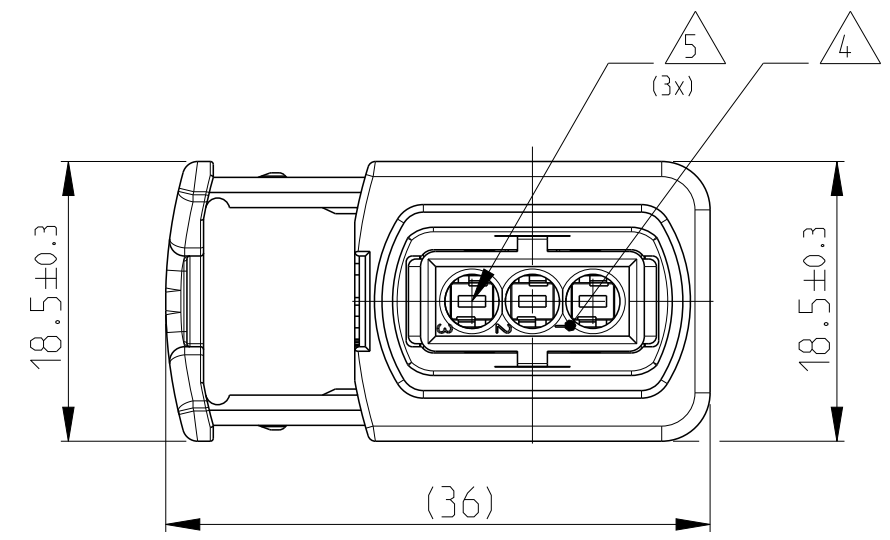
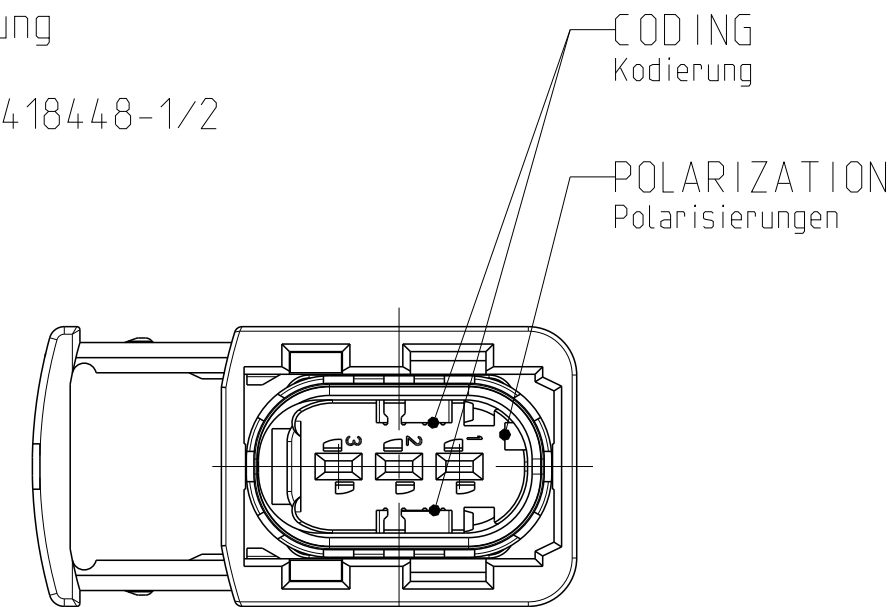
SLIDE IN LOCKED POSITION
 Schieber in Verriegelungsposition



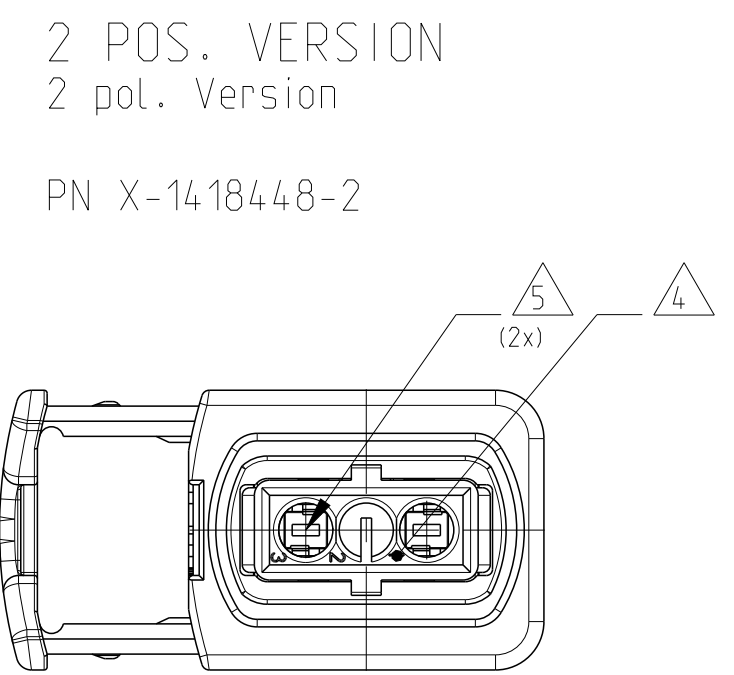
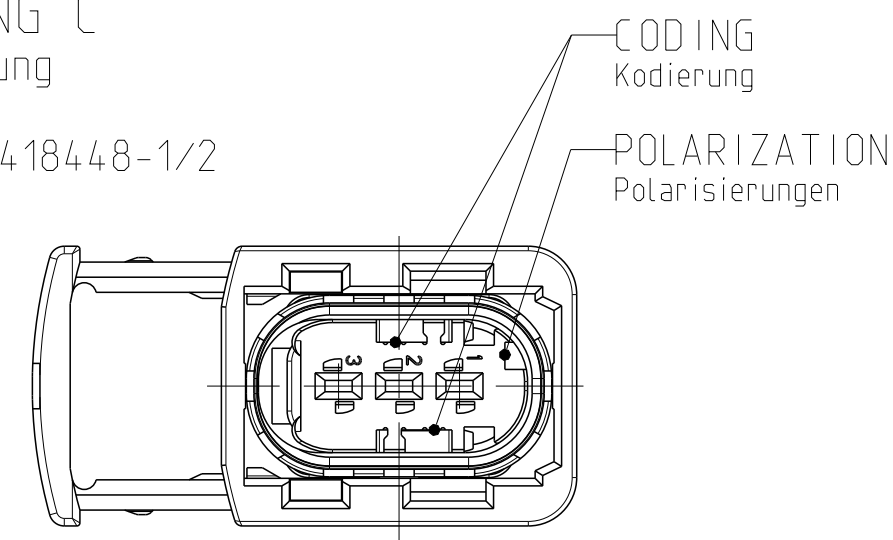
CODING A
 Kodierung
 PN 1-1418448-1/2



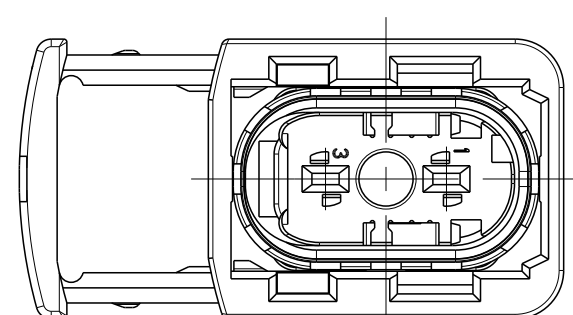
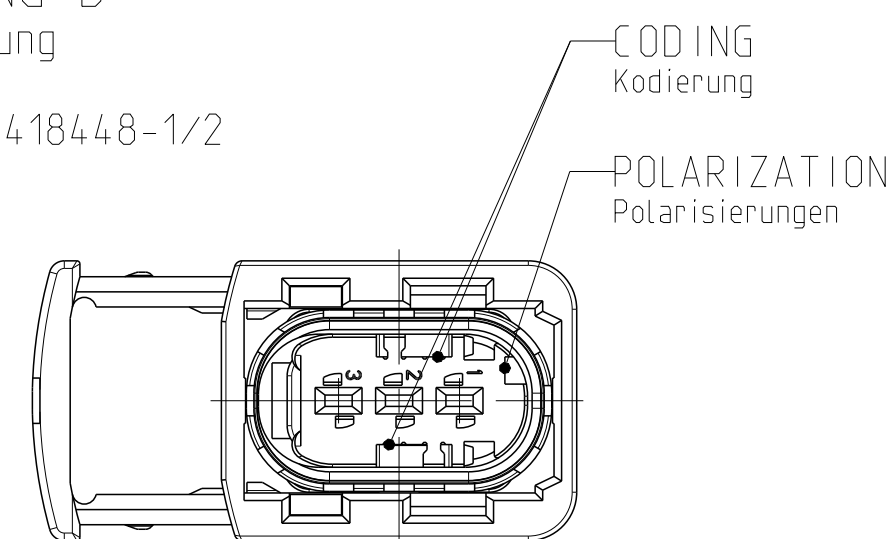
CODING B
 Kodierung
 PN 2-1418448-1/2



CODING C
 Kodierung
 PN 3-1418448-1/2



CODING D
 Kodierung
 PN 4-1418448-1/2



2 POS. VERSION
 2 pol. Version
 PN X-1418448-2

| REFLECTABLE HSG Buchsengehäuse | BLACK schwarz | BLACK schwarz | GREY grau | GREEN grün | BLUE blau | BLACK schwarz | BLACK schwarz | GREEN grün | BLUE blau | BLACK schwarz | BLACK schwarz | GREEN grün | BLUE blau | BLACK schwarz | BLACK schwarz | GREEN grün | YELLOW gelb | YELLOW gelb | WHITE weiss | MFG | DESCRIPTION Beschreibung | ITEM NO |
|---|------------------|------------------|----------------|----------------|----------------|------------------|------------------|----------------|----------------|------------------|------------------|----------------|----------------|------------------|------------------|----------------|----------------|----------------|----------------|-----------------------|-----------------------------|------------|
| 3POS. CAVITY BLOCK, CODE, "A" 3pol., Kammerblock, Kodierung, "A" | PBT-GF30 / V-0 | PBT-GF30 / V-0 | PBT-GF30 / V-0 | PBT-GF30 / V-0 | PBT-GF30 / V-0 | PBT-GF30 / V-0 | PBT-GF30 / V-0 | PBT-GF30 / V-0 | PBT-GF30 / V-0 | PBT-GF30 / V-0 | PBT-GF30 / V-0 | PBT-GF30 / V-0 | PBT-GF30 / V-0 | PBT-GF30 / V-0 | PBT-GF30 / V-0 | PBT-GF30 / V-0 | PBT-GF30 / V-0 | PBT-GF30 / V-0 | PBT-GF30 / V-0 | U-SLIDE U-Schieber | SEAL Dichtung | |
| 3POS. CAVITY BLOCK, CODE, "A" 3pol., Kammerblock, Kodierung, "A" | | | | | | | | | | | | | | | | | | | | | | |
| 3POS. CAVITY BLOCK, CODE, "B" 3pol., Kammerblock, Kodierung, "B" | | | | | | | | | | | | | | | | | | | | | | |
| 3POS. CAVITY BLOCK, CODE, "C" 3pol., Kammerblock, Kodierung, "C" | | | | | | | | | | | | | | | | | | | | | | |
| 3POS. CAVITY BLOCK, CODE, "D" 3pol., Kammerblock, Kodierung, "D" | | | | | | | | | | | | | | | | | | | | | | |
| 3POS. CAVITY BLOCK, CODE, "A" 3pol., Kammerblock, Kodierung, "A" | | | | | | | | | | | | | | | | | | | | | | |
| 3POS. CAVITY BLOCK, CODE, "B" 3pol., Kammerblock, Kodierung, "B" | | | | | | | | | | | | | | | | | | | | | | |
| 3POS. CAVITY BLOCK, CODE, "C" 3pol., Kammerblock, Kodierung, "C" | | | | | | | | | | | | | | | | | | | | | | |
| 3POS. CAVITY BLOCK, CODE, "D" 3pol., Kammerblock, Kodierung, "D" | | | | | | | | | | | | | | | | | | | | | | |
| 3POS. CAVITY BLOCK, CODE, "A" 3pol., Kammerblock, Kodierung, "A" | | | | | | | | | | | | | | | | | | | | | | |
| 3POS. CAVITY BLOCK, CODE, "B" 3pol., Kammerblock, Kodierung, "B" | | | | | | | | | | | | | | | | | | | | | | |
| 3POS. CAVITY BLOCK, CODE, "C" 3pol., Kammerblock, Kodierung, "C" | | | | | | | | | | | | | | | | | | | | | | |
| 3POS. CAVITY BLOCK, CODE, "D" 3pol., Kammerblock, Kodierung, "D" | | | | | | | | | | | | | | | | | | | | | | |
| 3POS. CAVITY BLOCK, CODE, "A" 3pol., Kammerblock, Kodierung, "A" | | | | | | | | | | | | | | | | | | | | | | |
| 3POS. CAVITY BLOCK, CODE, "B" 3pol., Kammerblock, Kodierung, "B" | | | | | | | | | | | | | | | | | | | | | | |
| 3POS. CAVITY BLOCK, CODE, "C" 3pol., Kammerblock, Kodierung, "C" | | | | | | | | | | | | | | | | | | | | | | |
| 3POS. CAVITY BLOCK, CODE, "D" 3pol., Kammerblock, Kodierung, "D" | | | | | | | | | | | | | | | | | | | | | | |
| 3POS. CAVITY BLOCK, CODE, "A" 3pol., Kammerblock, Kodierung, "A" | | | | | | | | | | | | | | | | | | | | | | |
| 3POS. CAVITY BLOCK, CODE, "B" 3pol., Kammerblock, Kodierung, "B" | | | | | | | | | | | | | | | | | | | | | | |
| 3POS. CAVITY BLOCK, CODE, "C" 3pol., Kammerblock, Kodierung, "C" | | | | | | | | | | | | | | | | | | | | | | |
| 3POS. CAVITY BLOCK, CODE, "D" 3pol., Kammerblock, Kodierung, "D" | | | | | | | | | | | | | | | | | | | | | | |
| 3POS. CAVITY BLOCK, CODE, "A" 3pol., Kammerblock, Kodierung, "A" | | | | | | | | | | | | | | | | | | | | | | |
| 3POS. CAVITY BLOCK, CODE, "B" 3pol., Kammerblock, Kodierung, "B" | | | | | | | | | | | | | | | | | | | | | | |
| 3POS. CAVITY BLOCK, CODE, "C" 3pol., Kammerblock, Kodierung, "C" | | | | | | | | | | | | | | | | | | | | | | |
| 3POS. CAVITY BLOCK, CODE, "D" 3pol., Kammerblock, Kodierung, "D" | | | | | | | | | | | | | | | | | | | | | | |
| 3POS. CAVITY BLOCK, CODE, "A" 3pol., Kammerblock, Kodierung, "A" | | | | | | | | | | | | | | | | | | | | | | |
| 3POS. CAVITY BLOCK, CODE, "B" 3pol., Kammerblock, Kodierung, "B" | | | | | | | | | | | | | | | | | | | | | | |
| 3POS. CAVITY BLOCK, CODE, "C" 3pol., Kammerblock, Kodierung, "C" | | | | | | | | | | | | | | | | | | | | | | |
| 3POS. CAVITY BLOCK, CODE, "D" 3pol., Kammerblock, Kodierung, "D" | | | | | | | | | | | | | | | | | | | | | | |
| 3POS. CAVITY BLOCK, CODE, "A" 3pol., Kammerblock, Kodierung, "A" | | | | | | | | | | | | | | | | | | | | | | |
| 3POS. CAVITY BLOCK, CODE, "B" 3pol., Kammerblock, Kodierung, "B" | | | | | | | | | | | | | | | | | | | | | | |
| 3POS. CAVITY BLOCK, CODE, "C" 3pol., Kammerblock, Kodierung, "C" | | | | | | | | | | | | | | | | | | | | | | |
| 3POS. CAVITY BLOCK, CODE, "D" 3pol., Kammerblock, Kodierung, "D" | | | | | | | | | | | | | | | | | | | | | | |
| 3POS. CAVITY BLOCK, CODE, "A" 3pol., Kammerblock, Kodierung, "A" | | | | | | | | | | | | | | | | | | | | | | |
| 3POS. CAVITY BLOCK, CODE, "B" 3pol., Kammerblock, Kodierung, "B" | | | | | | | | | | | | | | | | | | | | | | |
| 3POS. CAVITY BLOCK, CODE, "C" 3pol., Kammerblock, Kodierung, "C" | | | | | | | | | | | | | | | | | | | | | | |
| 3POS. CAVITY BLOCK, CODE, "D" 3pol., Kammerblock, Kodierung, "D" | | | | | | | | | | | | | | | | | | | | | | |
| 3POS. CAVITY BLOCK, CODE, "A" 3pol., Kammerblock, Kodierung, "A" | | | | | | | | | | | | | | | | | | | | | | |
| 3POS. CAVITY BLOCK, CODE, "B" 3pol., Kammerblock, Kodierung, "B" | | | | | | | | | | | | | | | | | | | | | | |
| 3POS. CAVITY BLOCK, CODE, "C" 3pol., Kammerblock, Kodierung, "C" | | | | | | | | | | | | | | | | | | | | | | |
| 3POS. CAVITY BLOCK, CODE, "D" 3pol., Kammerblock, Kodierung, "D" | | | | | | | | | | | | | | | | | | | | | | |
| 3POS. CAVITY BLOCK, CODE, "A" 3pol., Kammerblock, Kodierung, "A" | | | | | | | | | | | | | | | | | | | | | | |
| 3POS. CAVITY BLOCK, CODE, "B" 3pol., Kammerblock, Kodierung, "B" | | | | | | | | | | | | | | | | | | | | | | |
| 3POS. CAVITY BLOCK, CODE, "C" 3pol., Kammerblock, Kodierung, "C" | | | | | | | | | | | | | | | | | | | | | | |
| 3POS. CAVITY BLOCK, CODE, "D" 3pol., Kammerblock, Kodierung, "D" | | | | | | | | | | | | | | | | | | | | | | |
| 3POS. CAVITY BLOCK, CODE, "A" 3pol., Kammerblock, Kodierung, "A" | | | | | | | | | | | | | | | | | | | | | | |
| 3POS. CAVITY BLOCK, CODE, "B" 3pol., Kammerblock, Kodierung, "B" | | | | | | | | | | | | | | | | | | | | | | |
| 3POS. CAVITY BLOCK, CODE, "C" 3pol., Kammerblock, Kodierung, "C" | | | | | | | | | | | | | | | | | | | | | | |
| 3POS. CAVITY BLOCK, CODE, "D" 3pol., Kammerblock, Kodierung, "D" | | | | | | | | | | | | | | | | | | | | | | |
| 3POS. CAVITY BLOCK, CODE, "A" 3pol., Kammerblock, Kodierung, "A" | | | | | | | | | | | | | | | | | | | | | | |
| 3POS. CAVITY BLOCK, CODE, "B" 3pol., Kammerblock, Kodierung, "B" | | | | | | | | | | | | | | | | | | | | | | |
| 3POS. CAVITY BLOCK, CODE, "C" 3pol., Kammerblock, Kodierung, "C" | | | | | | | | | | | | | | | | | | | | | | |
| 3POS. CAVITY BLOCK, CODE, "D" 3pol., Kammerblock, Kodierung, "D" | | | | | | | | | | | | | | | | | | | | | | |
| 3POS. CAVITY BLOCK, CODE, "A" 3pol., Kammerblock, Kodierung, "A" | | | | | | | | | | | | | | | | | | | | | | |
| 3POS. CAVITY BLOCK, CODE, "B" 3pol., Kammerblock, Kodierung, "B" | | | | | | | | | | | | | | | | | | | | | | |
| 3POS. CAVITY BLOCK, CODE, "C" 3pol., Kammerblock, Kodierung, "C" | | | | | | | | | | | | | | | | | | | | | | |
| 3POS. CAVITY BLOCK, CODE, "D" 3pol., Kammerblock, Kodierung, "D" | | | | | | | | | | | | | | | | | | | | | | |
| 3POS. CAVITY BLOCK, CODE, "A" 3pol., Kammerblock, Kodierung, "A" | | | | | | | | | | | | | | | | | | | | | | |
| 3POS. CAVITY BLOCK, CODE, "B" 3pol., Kammerblock, Kodierung, "B" | | | | | | | | | | | | | | | | | | | | | | |
| 3POS. CAVITY BLOCK, CODE, "C" 3pol., Kammerblock, Kodierung, "C" | | | | | | | | | | | | | | | | | | | | | | |
| 3POS. CAVITY BLOCK, CODE, "D" 3pol., Kammerblock, Kodierung, "D" | | | | | | | | | | | | | | | | | | | | | | |
| 3POS. CAVITY BLOCK, CODE, "A" 3pol., Kammerblock, Kodierung, "A" | | | | | | | | | | | | | | | | | | | | | | |
| 3POS. CAVITY BLOCK, CODE, "B" 3pol., Kammerblock, Kodierung, "B" | | | | | | | | | | | | | | | | | | | | | | |