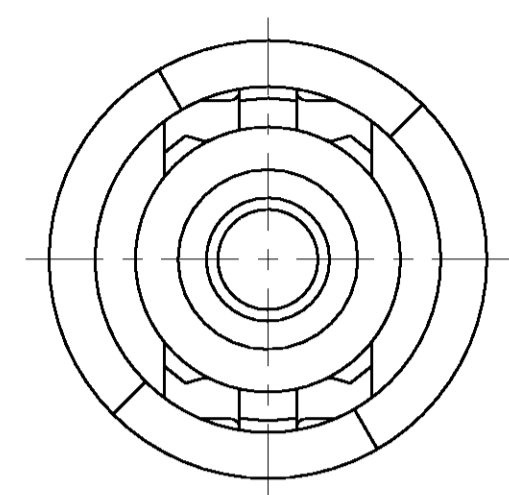
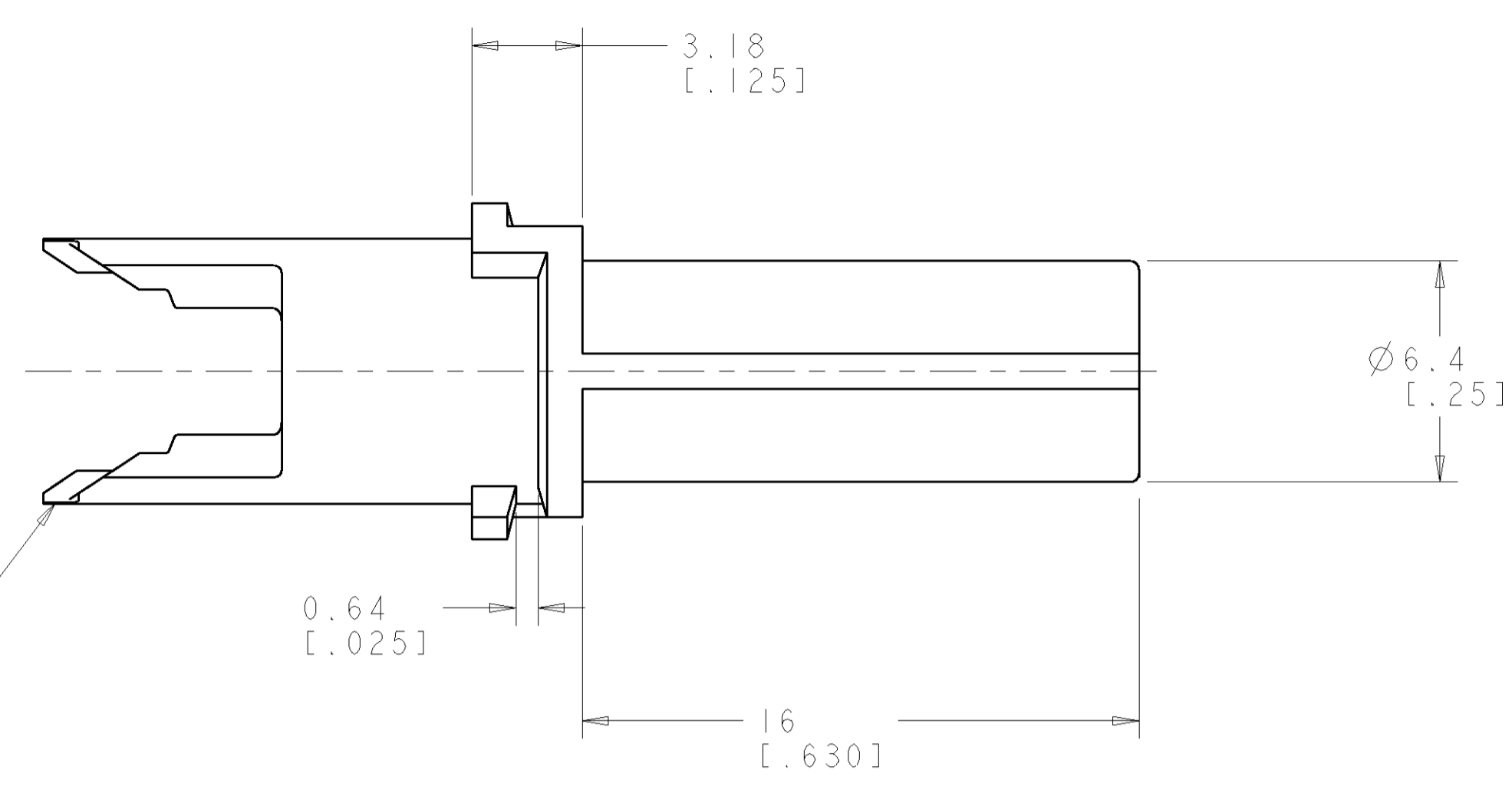


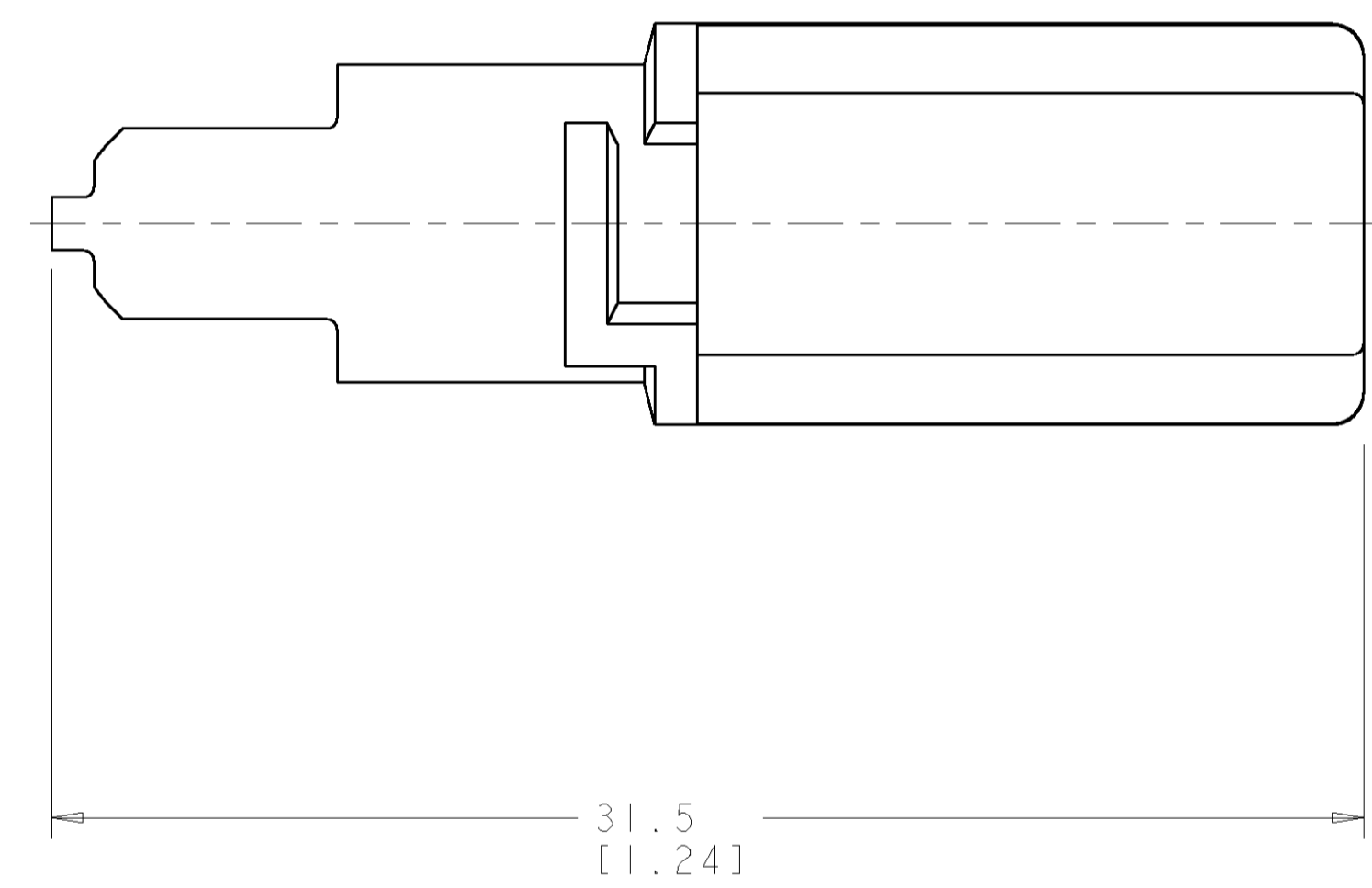
LOC	DIST	REVISIONS				
		P. LTR	DESCRIPTION	DATE	DWN	APVD
CM	00	G	REVISED PER 0638-0222-01	08MAR2002	KW	DC



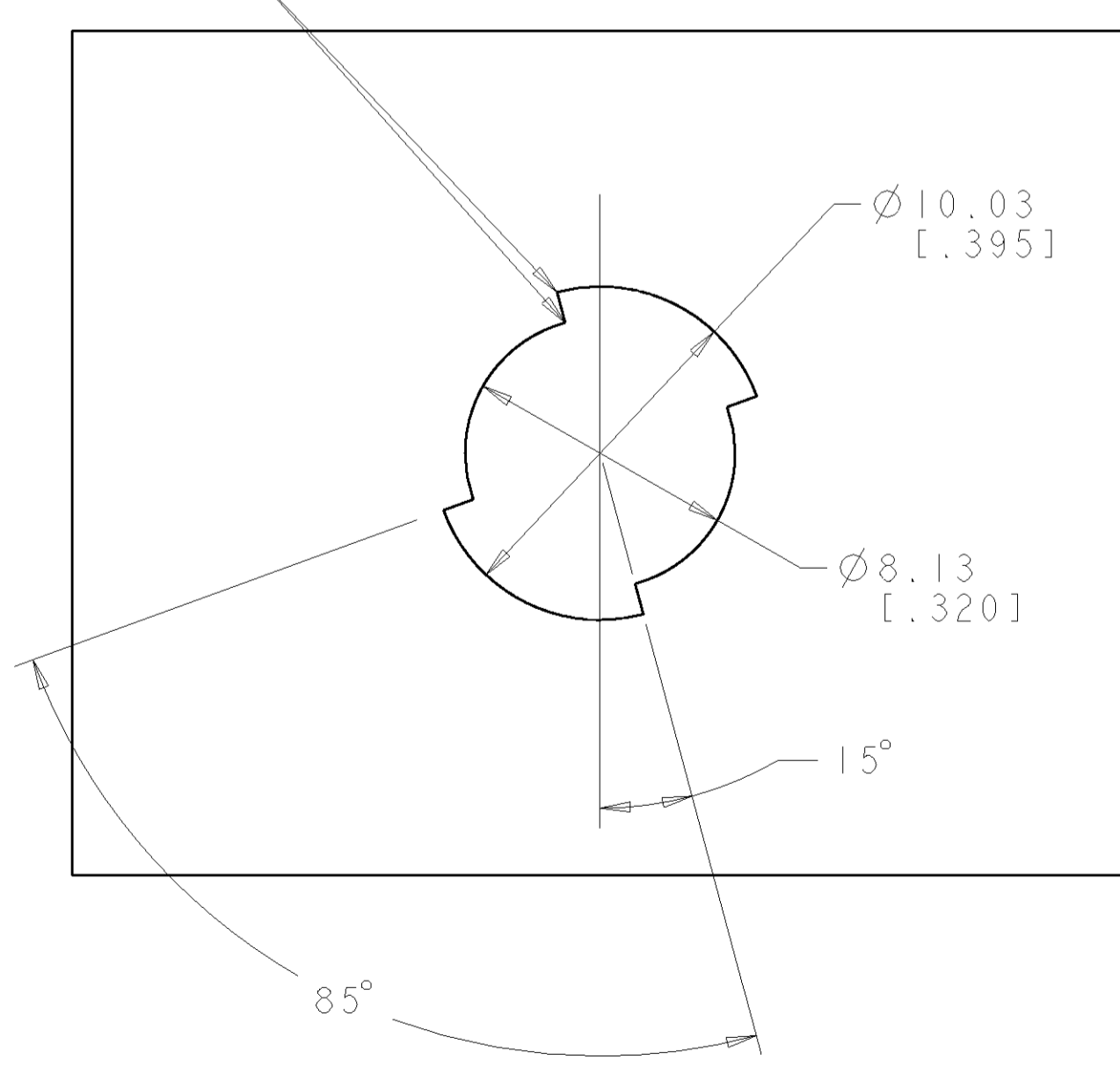
POSITIVE LOCK IDENTIFICATION



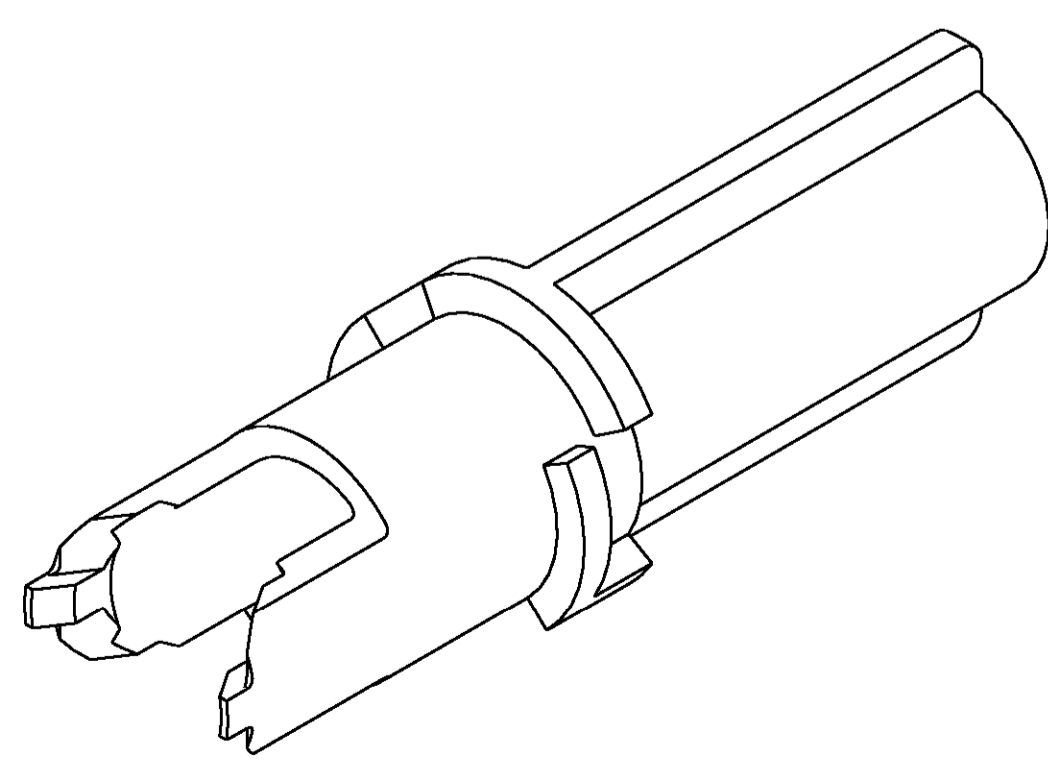
- 2. MATES WITH PLUG 480358.
- 3. 0.13 [.005] MAX FLASH PERMITTED.



R 0.51 [.020] MAX



PANEL CUT OUT
 PANEL THICKNESS 0.76-1.02 [.030-040]
 SCALE 5:1



SCALE 5:1

METRIC

1-480357-0
 PART NUMBER

<small>THIS DRAWING IS UNPUBLISHED. RELEASED FOR PUBLICATION. IT IS THE PROPERTY OF TYCO ELECTRONICS CORPORATION. IT IS TO BE KEPT UNPUBLISHED AND NOT TO BE REPRODUCED OR TRANSMITTED IN ANY FORM OR BY ANY MEANS, ELECTRONIC OR MECHANICAL, INCLUDING PHOTOCOPYING, RECORDING, OR BY ANY INFORMATION STORAGE AND RETRIEVAL SYSTEM. WITHOUT PERMISSION IN WRITING FROM TYCO ELECTRONICS CORPORATION.</small>		DWN R. WHITAKER 08MAR2002	Tyco Electronics Harrisburg, PA 17105-3608
DIMENSIONS: mm [INCHES]		ENK D. COLEY 08MAR2002 APVD D. COLEY 08MAR2002	
TOLERANCES UNLESS OTHERWISE SPECIFIED: 0 PLC ± 1 PLC ± 2 PLC ±0.13 [.005] 3 PLC ± 4 PLC ± ANGLES ±1°		NAME D. COLEY 08MAR2002 PRODUCT SPEC - APPLICATION SPEC -	SIZE A CAGE CODE 00779 DRAWING NO C=480357 RESTRICTED TO -
MATERIAL NYLON NATURAL		FINISH - WEIGHT - CUSTOMER DRAWING	SCALE 6:1 SHEET 1 OF 1 REV G