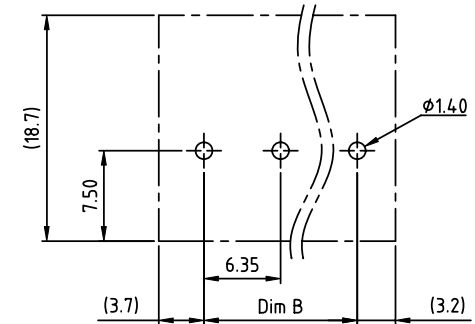
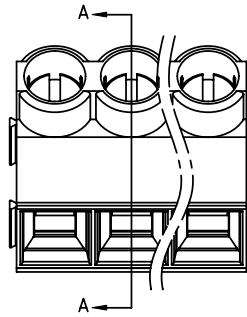
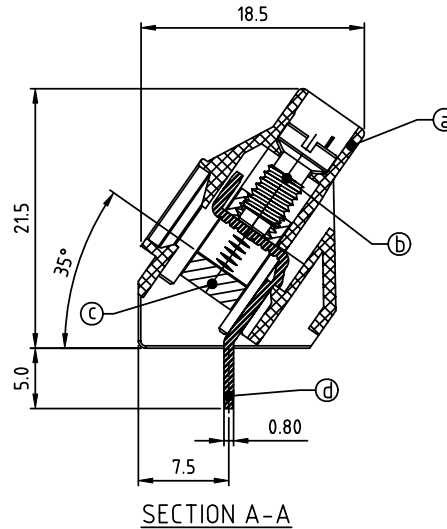
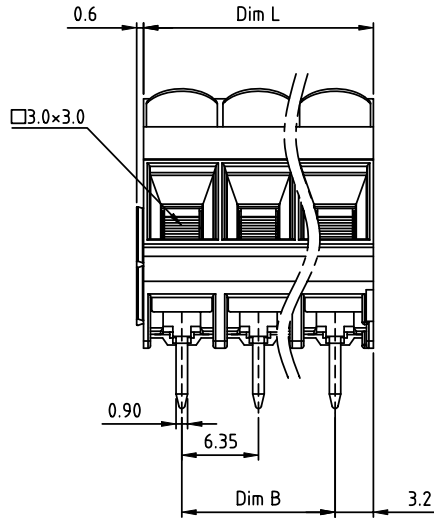


PRODUCT NUMBER	PITCH
T7xx03x100JOG	6.35 mm



RECOMMENDED P.C.B LAYOUT  
TOP VIEW



Material

- Item ① Terminal housing: Thermoplastic (UL94V-0)
- Item ② Terminal screw: Steel Zinc plating "-" slot type
- Item ③ Clamp: Brass, Ni plated
- Item ④ Solder pin: Copper, Tin plated

- |                          |                 |                         |
|--------------------------|-----------------|-------------------------|
| Electrical               | cULus           | TUV                     |
| ● Voltage rating:        | 300VAC          | 450VAC                  |
| ● Current rating:        | 30A             | 41A                     |
| ● Wire range:            |                 | 0.20-6.0mm <sup>2</sup> |
| ● Solid wire(AWG):       | 10-24           |                         |
| ● Stranded wire(AWG):    | 10-24           |                         |
| ● Torque:                | 6.9 Lb-in       | 0.85 N.m                |
| ● Screw:                 | M3.5            |                         |
| ● Wire strip length:     | 6-7mm           |                         |
| ● Withstanding Voltage:  | 1.6KV           | 2.5KV                   |
| ● Operating temperature: | -40°C to +115°C |                         |
| ● Soldering temperature: | 260°C±5°C/5 Sec |                         |
| ● Safety Approval:       |                 |                         |

PART NO.: T7 xx 0 3 x 1 00J0 G

N = Number of poles  
Dim L = N x 6.35  
Dim B = (N-1) x 6.35

Poles	Tolerance
2-6p	±0.15
7-11p	±0.25
12-16p	±0.35

End Stackable	0	Black (RAL9005)	RoHS compliant
No. of poles	2	Red (RAL3001/D)	(lead<4%)
02 2 poles	3	Orange(RAL2011/P)	In copper Alloy
03 3 poles	4	Yellow(RAL1018/A)	
...	5	Green(RAL6018/T)	
16 16 poles	6	Blue (RAL5015/A)	
	8	Grey(RAL7035/D)	
	9	White(RAL1102)	
	C	Green(RAL6018/U)	

mat'l. code		surface ASME Y14.5	tolerance ASME Y14.5	projection	product family TERMINAL BLOCK
ltr	ecn no	dr	date		title TERMINAL BLOCK
				MM	DESCRIPTION RISING CLAMP,3SD WIRE INLET,END STACKABLE
				scale	dwg no T7xx03x100JOG
					sheet 1 of 1 size A4
				dr	type CUSTOMER Drawing
				enr	
				chr	
				appd	
sheet index	revision	A			
	sheet	1			