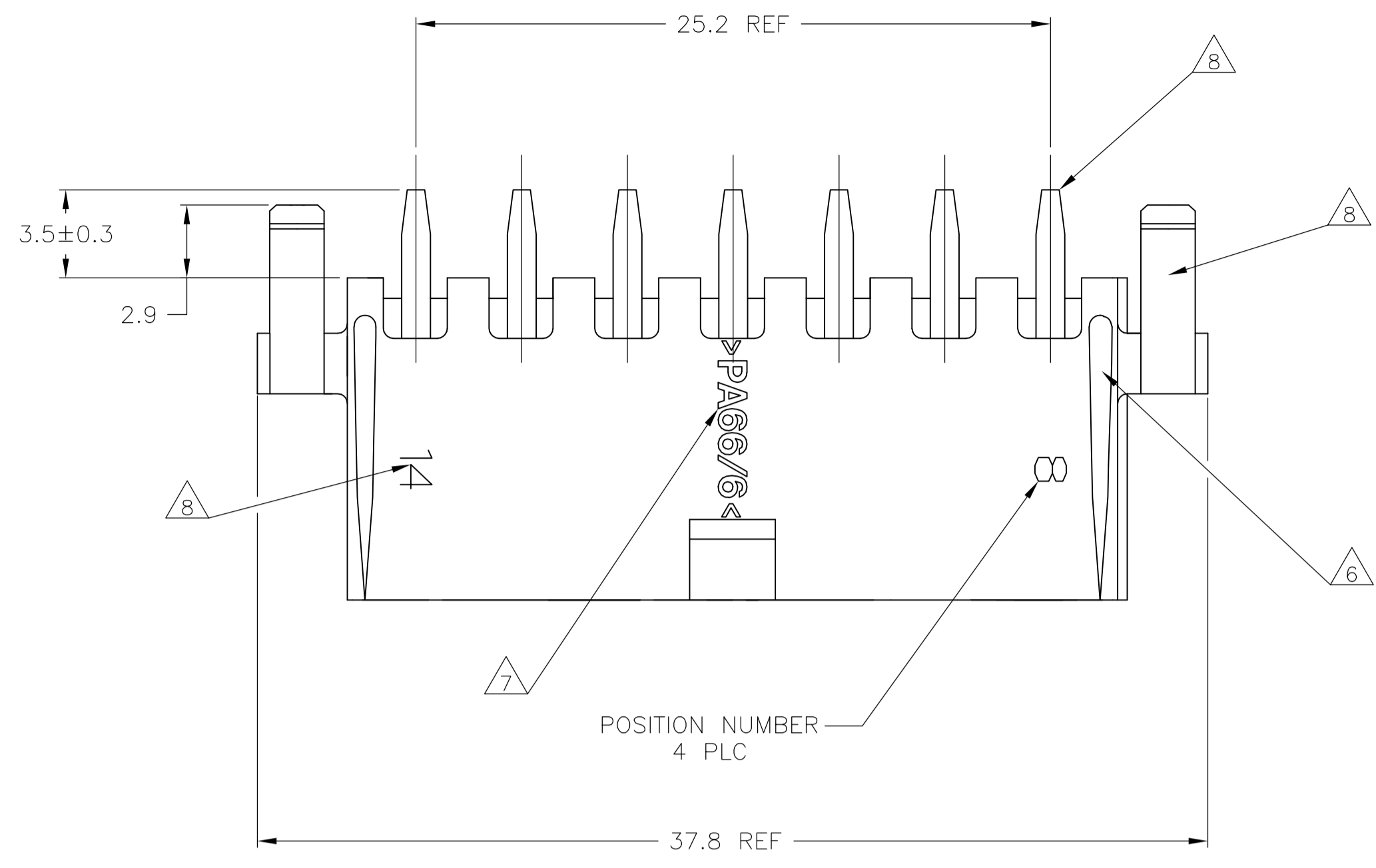
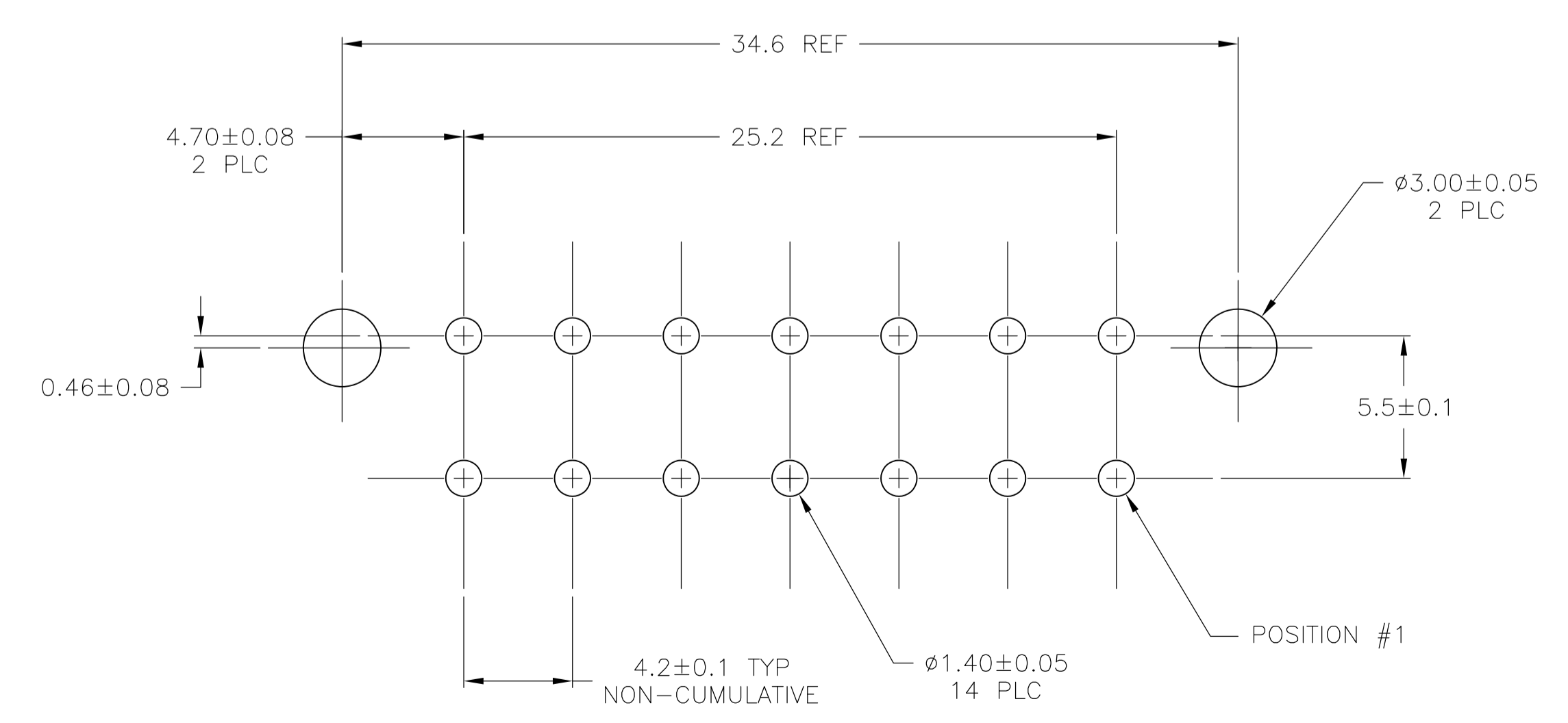
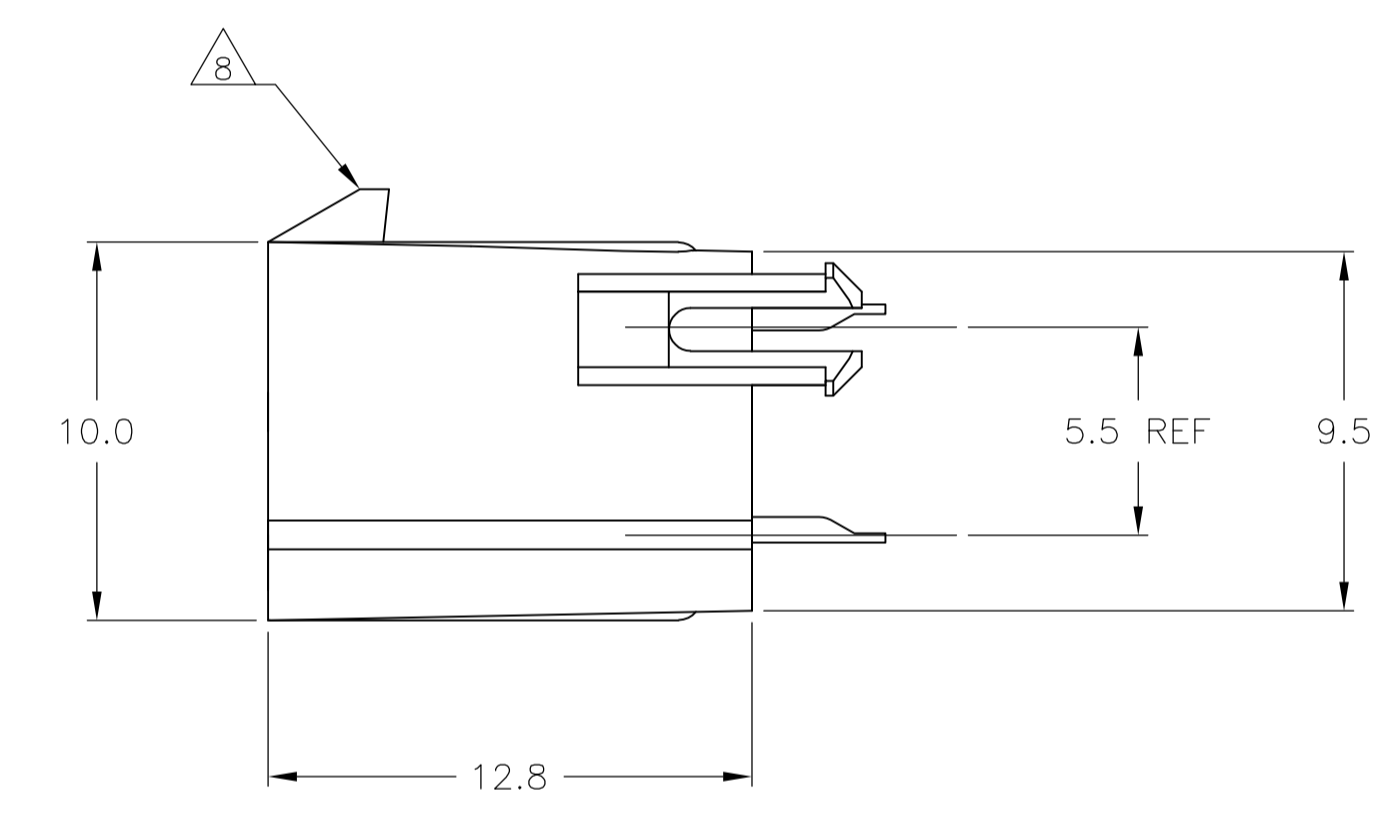
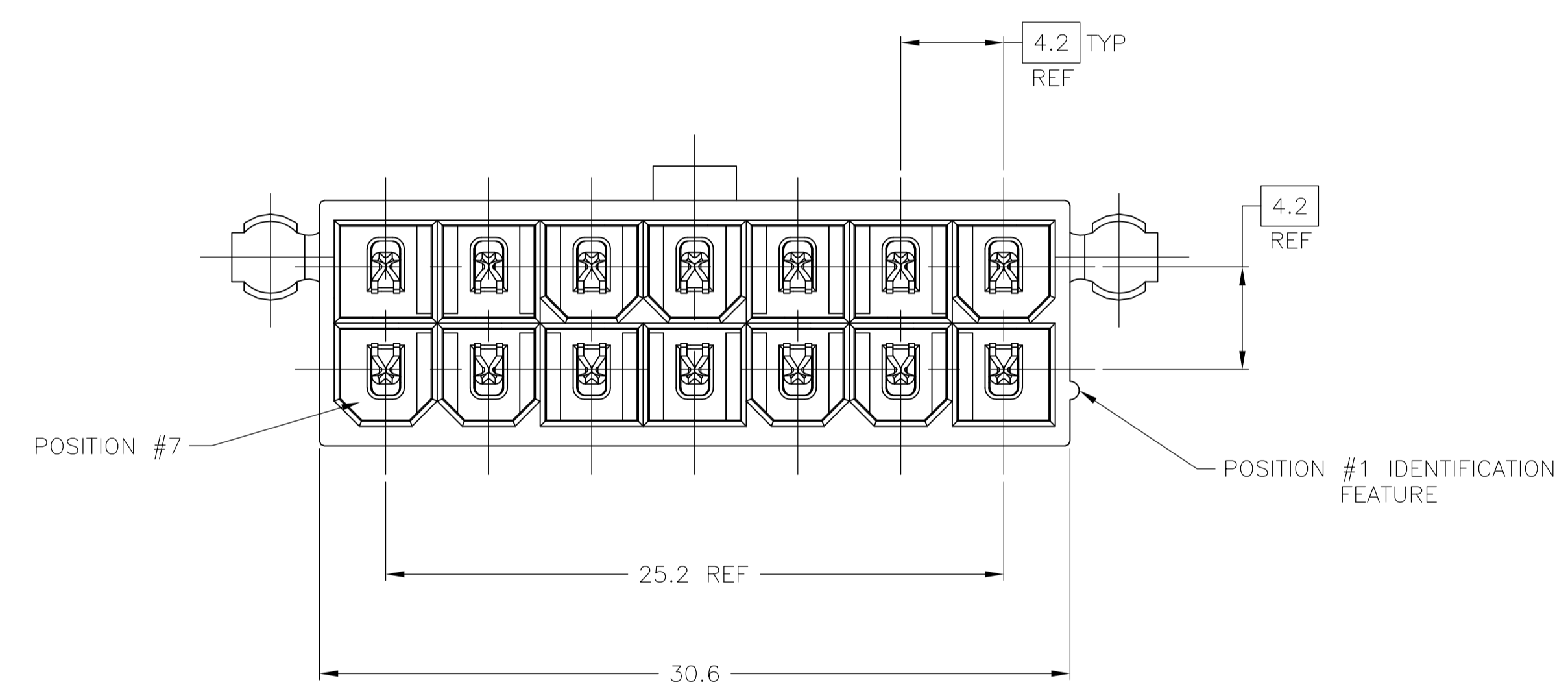


LOC		DIST		REVISIONS			
P	LTR	DESCRIPTION	DATE	DWN	APVD		
F		ECO-06-013135	12JUN06	BSV	DC		
F1		REVISED PER ECO-09-022908	08OCT09	KK	AEG		



- 1 MATERIAL:  
HOUSING: NYLON, UL94V-0 (COLOR - NATURAL, COLOR OF PARTS MAY VARY).  
CONTACTS: 0.25 THK COPPER ALLOY.
- 2 CONTACT FINISH: 0.003 MIN THK TIN-LEAD OVER 0.00127 MIN THK NICKEL OVER ENTIRE CONTACT.
- 3 CONTACT FINISH: 0.00076 MIN THK GOLD PLATE ON PIN MATING SURFACE, 0.003 MIN THK TIN-LEAD PLATE ON SOLDER TAIL, ALL OVER 0.00127 MIN THK NICKEL BASE PLATE.
- 4. SOLDER TAIL MEETS AMP SOLDERABILITY SPECIFICATION 109-11-2.
- 5. MATES WITH SIMILARLY PLATED AMP-DUAC™ POWER CONNECTOR RECEPTACLE HOUSINGS/SOCKET CONTACTS.
- 6 RIBS ON FOUR CORNERS OPTIONAL.
- 7 AMP LOGO AND MATERIAL ID MAY BE LOCATED ON EITHER LONG SIDE OF PART.
- 8 SIZE, SHAPE OR STYLE OF THIS FEATURE MAY VARY.
- 9 CONTACT FINISH: 0.003 MIN THK TIN OVER 0.00127 MIN THK NICKEL OVER ENTIRE CONTACT.
- 10 CONTACT FINISH: 0.00076 MIN THK GOLD PLATE ON PIN MATING SURFACE, 0.003 MIN THK TIN PLATE ON SOLDER TAIL, ALL OVER 0.00127 MIN THK NICKEL BASE PLATE.
- 11 OBSOLETE PARTS: OBSOLETE CIS STREAMLINING PER D.RENAUD/D.SINISI



RECOMMENDED MOUNTING HOLE PATTERN FOR 1.78 MAX THICK P.C. BOARD COMPONENT SIDE SHOWN

11	OBSOLETE	1	10	1	1	1-794453-2
		1	9	1	1	1-794453-1
	SUPERCEDED BY 1-794453-2	1	3	1	1	794453-2
	SUPERCEDED BY 1-794453-1	1	2	1	1	794453-1

CONTACT		HOUSING		PART NO.
MATERIAL	FINISH	MATERIAL	COLOR	
THIS DRAWING IS A CONTROLLED DOCUMENT.				
DIMENSIONS: mm	TOLERANCES UNLESS OTHERWISE SPECIFIED:	DIN R VESTAL 27MAY98	CHK R SWING 27MAY98	APVD C CASH 27MAY98
0 PLC ± -	1 PLC ± 0.2	Tyco Electronics Corporation Harrisburg, Pa 17105-3608		
2 PLC ± 0.13	3 PLC ± -	NAME ASSEMBLY, HEADER, VERTICAL, 14 POSITION, W/PEGS, W/DRAIN HOLES, 94V-0, AMP-DUAC		
4 PLC ± -	ANGLES ± 0°30'	PRODUCT SPEC 108-1699	APPLICATION SPEC	SIZE A1
MATERIAL SEE TABLE	FINISH SEE TABLE	WEIGHT -	SCALE 5:1	SHEET 1 OF 1
CUSTOMER DRAWING		DRAWING NO. 00779	DRAWING NO. 794453	REV F1