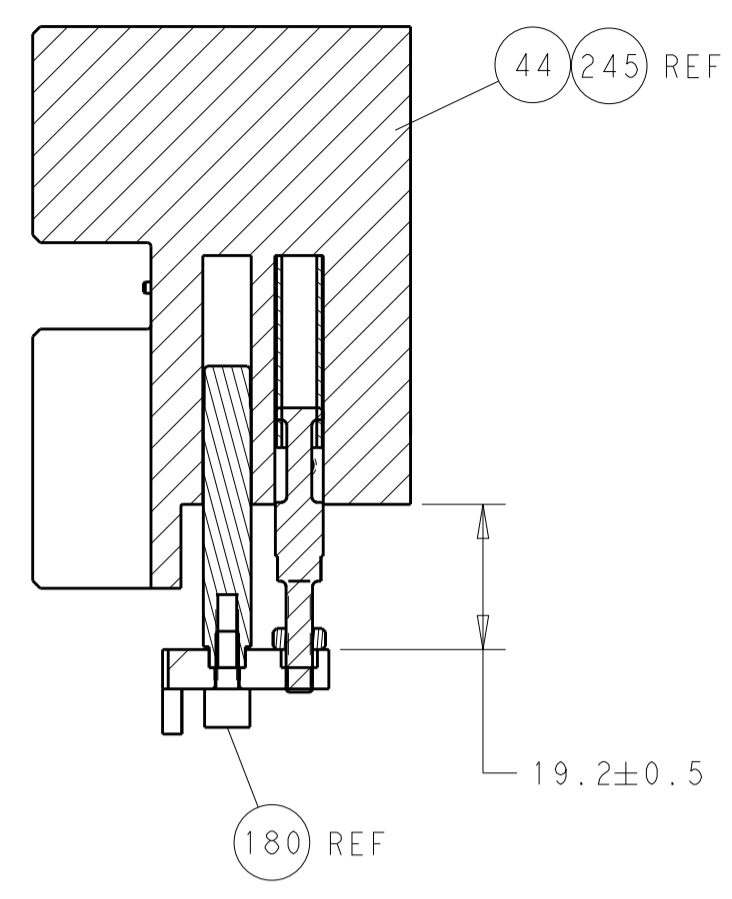
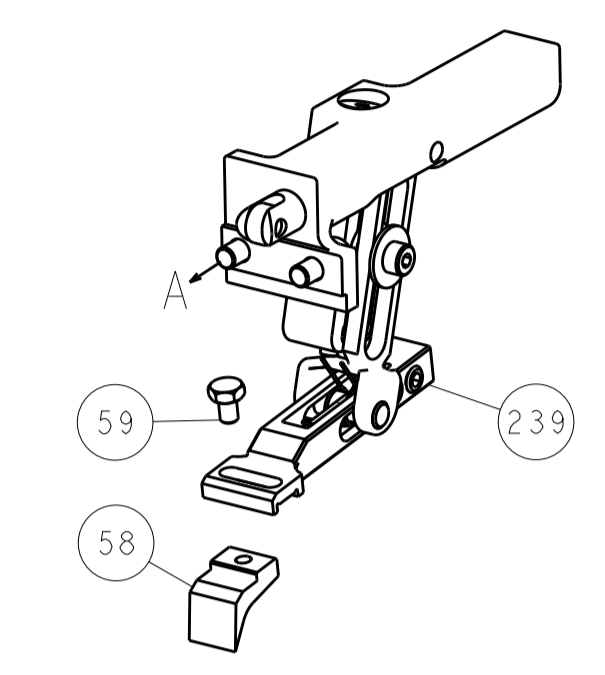


LOC		DIST		REVISIONS			
A	66	P	LTM	DESCRIPTION	DATE	OWN	APVD
				SEE SHEET 1			

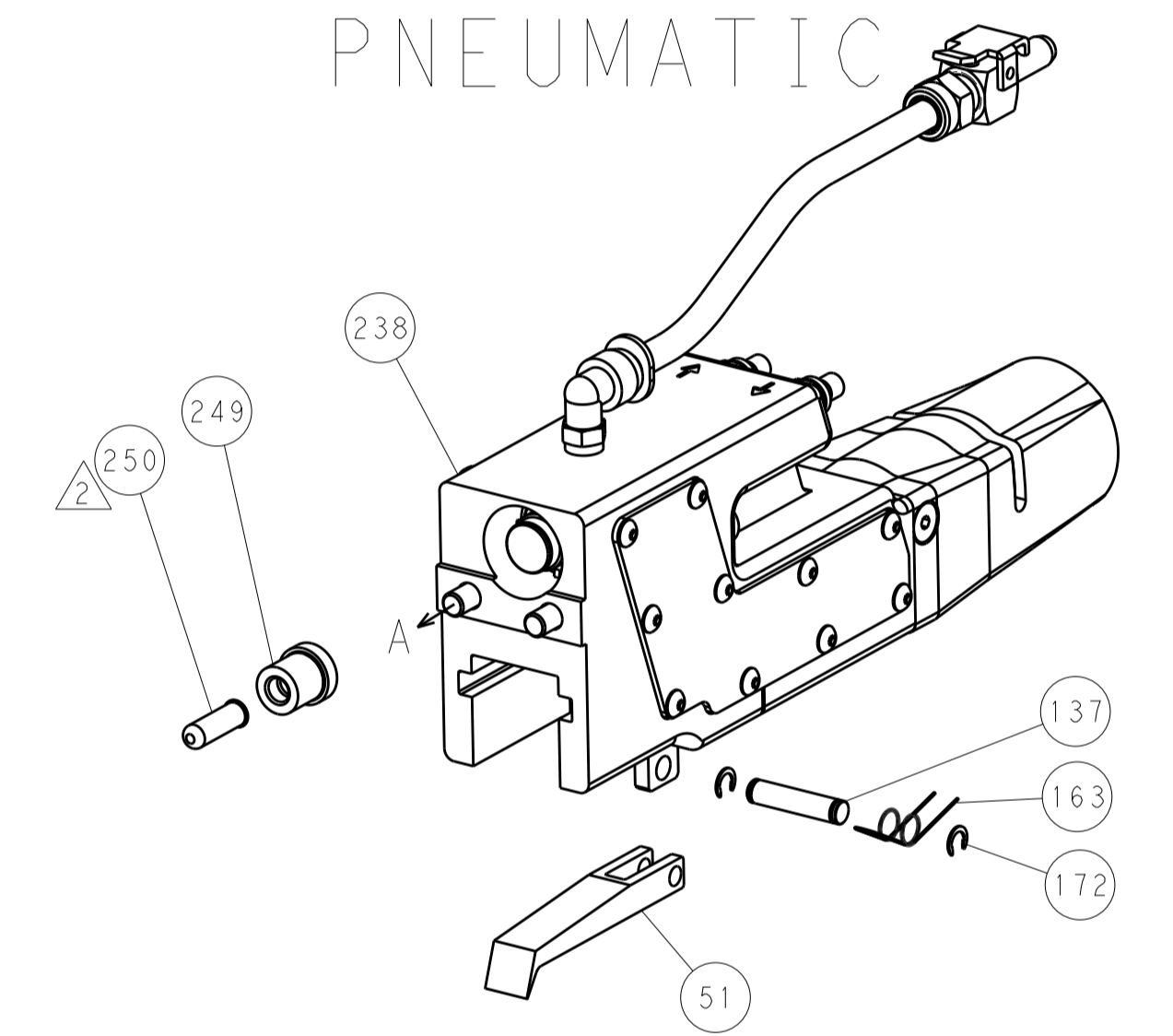


HOLDDOWN SET-UP

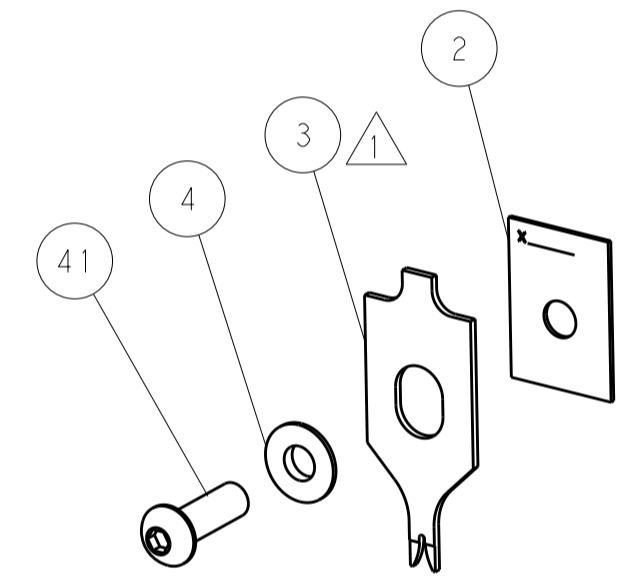
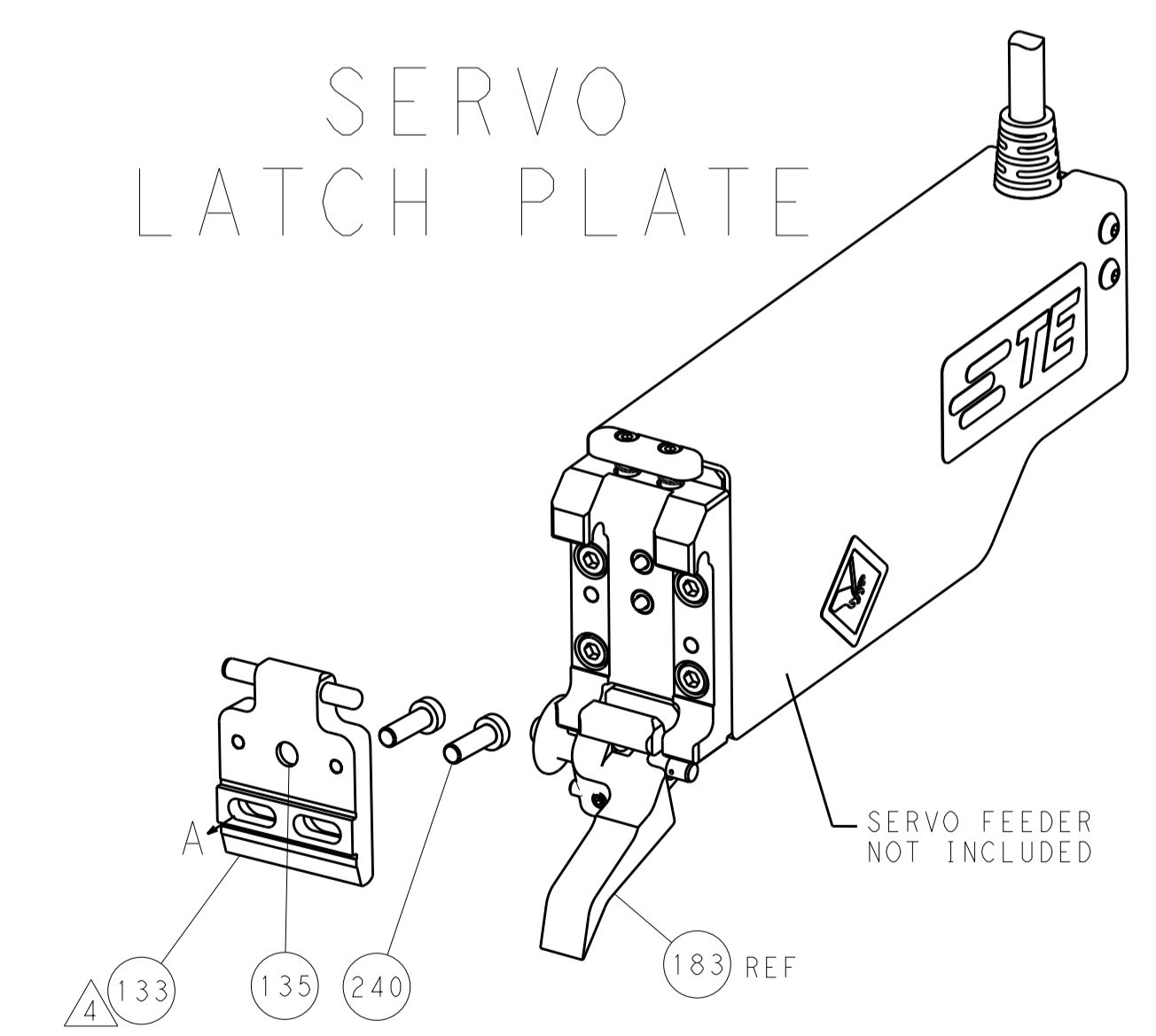
FEED TYPE
MECHANICAL



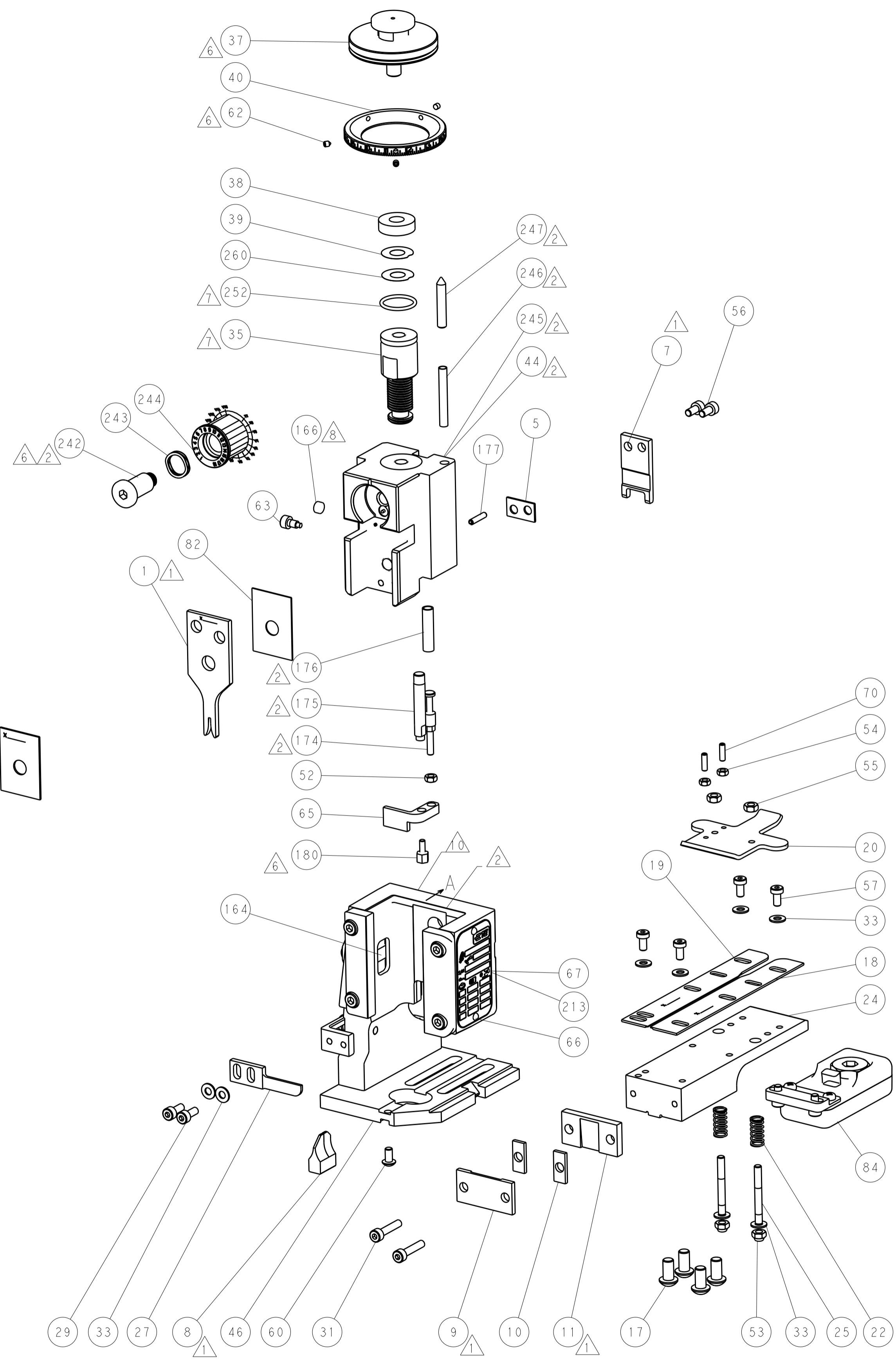
PNEUMATIC



SERVO
LATCH PLATE



CAM POSITIONS



ATLANTIC VERSION
 Shown on sheets 1 of 4 & 2 of 4
 (Pacific version shown on sheets 3 of 4 & 4 of 4)

DIMENSIONS:		TOLERANCES UNLESS OTHERWISE SPECIFIED:		DWN - ZOMAR2014		TE Connectivity	
mm		0 PLC ±		CHK - ZOMAR2014		Harrisburg, PA 17105-3608	
Ø		1 PLC ±		APVD - ZOMAR2014		NAME	
H		2 PLC ±		PRODUCT SPEC		Ocean End Feed	
L		3 PLC ±		APPLICATION SPEC		Applicator	
R		4 PLC ±		WEIGHT		SIZE	
ANGLES		FINISH		A1 00779		CAGE CODE	
				Customer Accessible Production Drawing		DRAWING NO	
				SCALE 1:1		RESTRICTED TO	
				SHEET 2 OF 4		REV A	

Table with columns: PACIFIC VERSION TERMINATOR INTERFACE ADAPTER, PART NUMBER, REVISION, DESCRIPTION, FEED TYPE, CONVERT TO, PART NUMBERS REQUIRED. Includes a diagram of the terminator interface adapter.

APPLICATOR DATA table with columns: CRIMP, SIZE, TYPE. Includes values for WIRE, INSUL, and APPL INSTRUCTIONS.

TERMINAL DATA: FCI TERMINAL, TE CRIMP SPECIFICATION. Includes terminal name, wire strip length, and insulation diameter range.

TERMINAL APPLICATION SPECIFICATION table with columns: TERMINAL, APPLICATION SPECIFICATION.

TERMINALS APPLIED table with columns: TE TERMINAL, FCI TERMINAL, TE TERMINAL, FCI TERMINAL.

WIRE SIZE, CRIMP HEIGHT, CRIMP HEIGHT REFERENCE SETTING table with columns: WIRE SIZE, CRIMP HEIGHT mm [INCH], CRIMP HEIGHT REFERENCE SETTING.

*WARNING ON INSTALLATION, SET WIRE DISC, ITEM 40 TO LARGEST WIRE SIZE SETTING. USE OF SETTINGS BELOW MINIMUM REQUIRED CRIMP HEIGHT SETTING WILL CAUSE DAMAGE TO CRIMP TOOLING.

Table with columns: PART NO, DESCRIPTION, ITEM NO. Lists parts like FINE ADJUST HEAD ASM, PUSH ROD, AIR FEED, etc.

PACIFIC VERSION Shown on sheets 3 of 4 & 4 of 4 (Atlantic version shown on sheets 1 of 4 & 2 of 4)

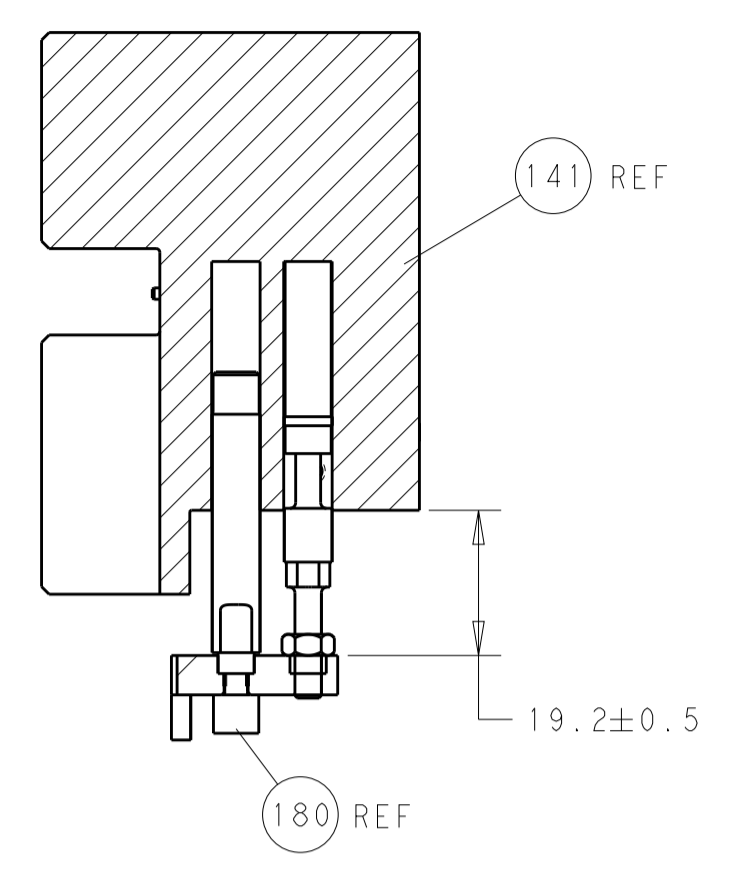
SET UP GAUGE, DIST, REVISIONS table with columns: SET UP GAUGE, DIST, REVISIONS.

Main parts list table with columns: ITEM NO, DESCRIPTION, QUANTITY, PART NO. Lists various components like WASHER, WAVE SPRING, RETAINER, INSULATION DIAL, etc.

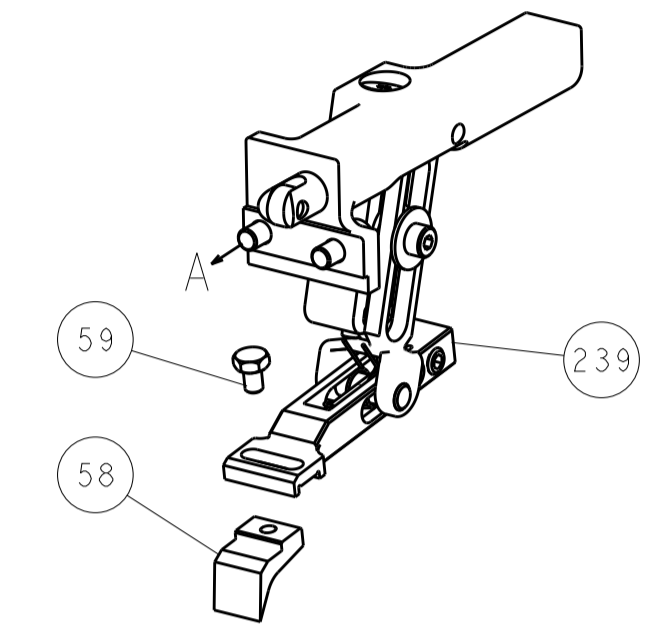
Technical drawing header/footer form including dimensions, tolerances, material, weight, scale, and revision information.

LOC		DIST		REVISIONS			
A	66	P	LTM	DESCRIPTION	DATE	DWN	APVD
		-	-	SEE SHEET 1	-	-	-

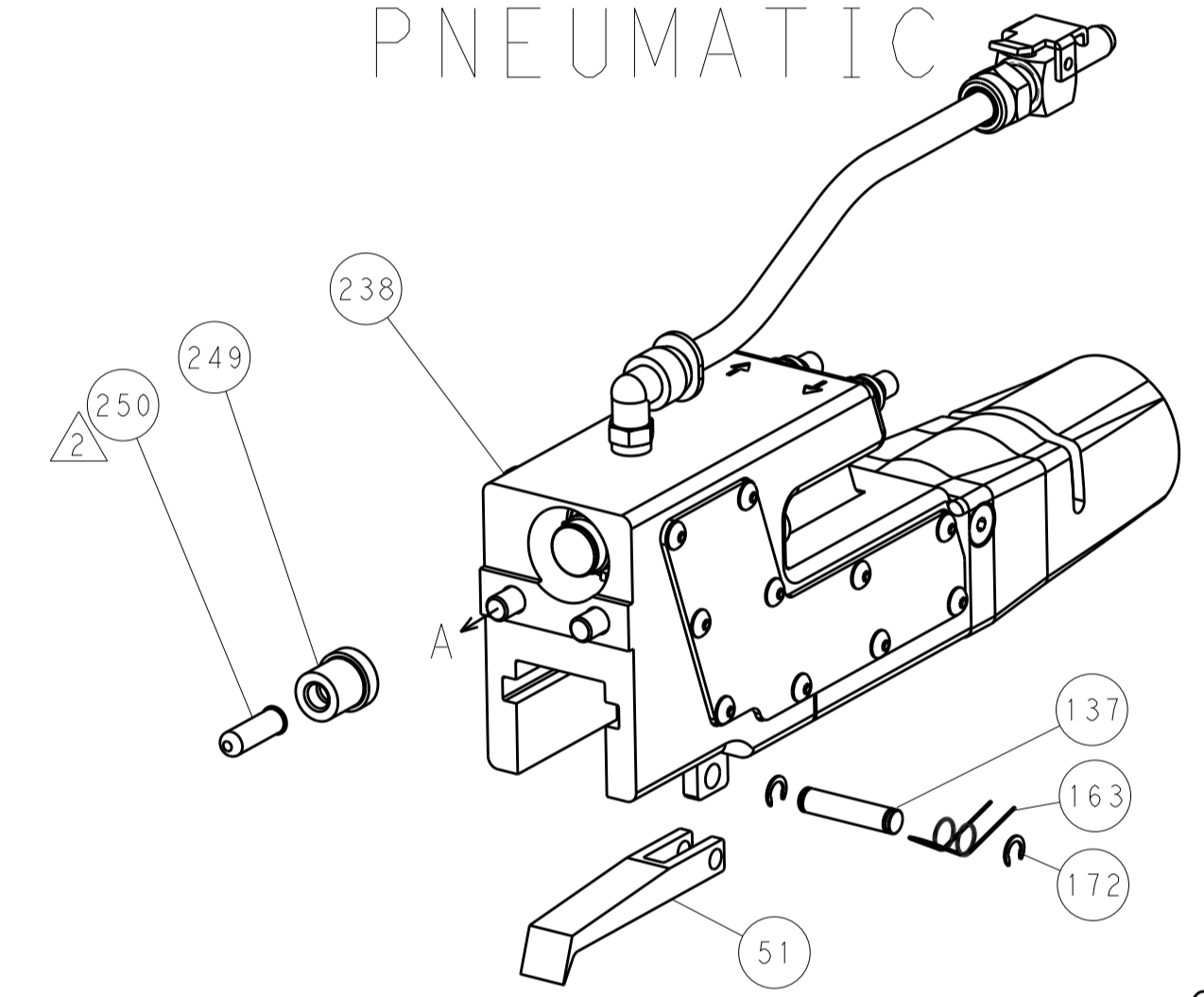
HOLDDOWN SET-UP



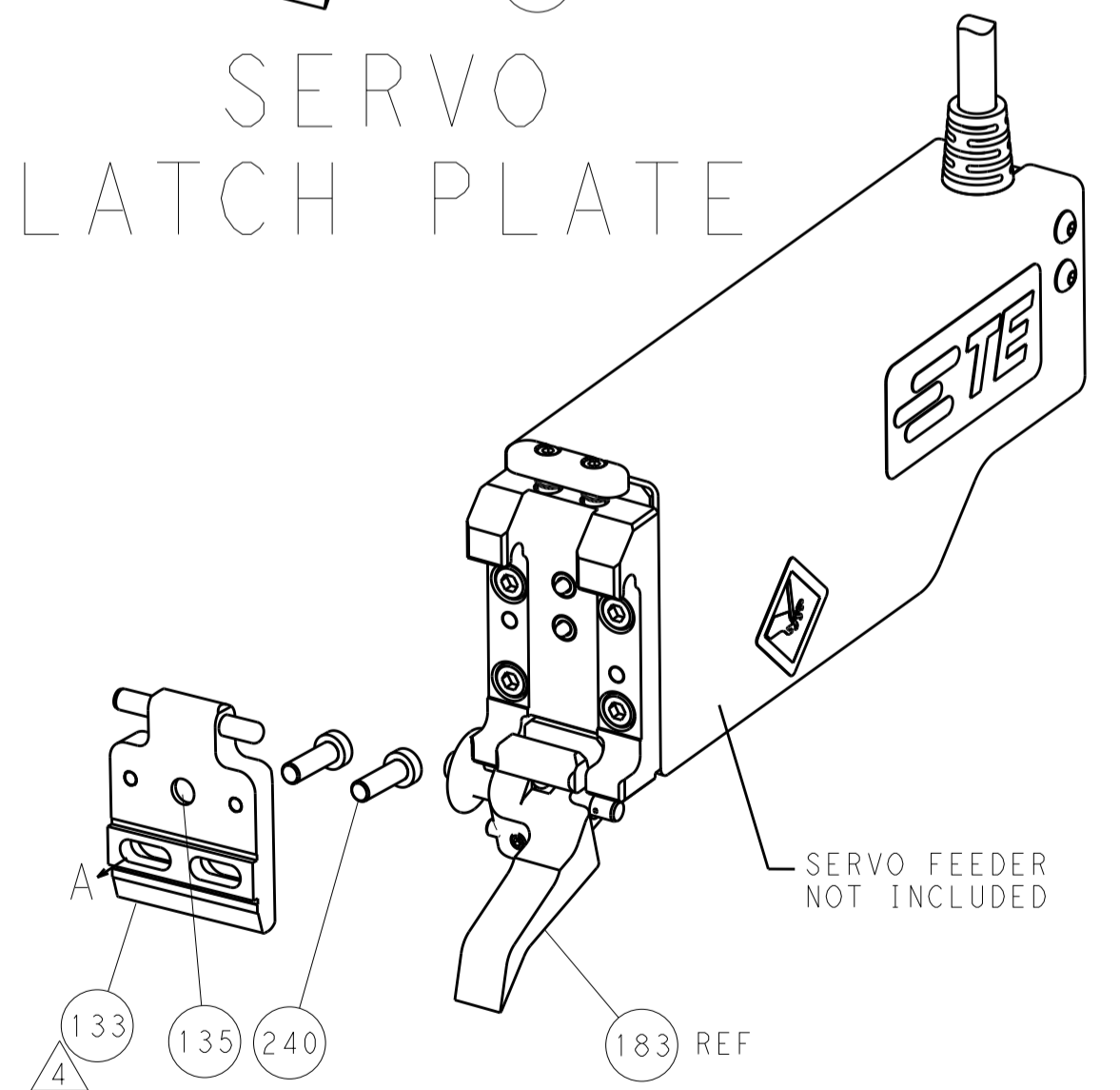
FEED TYPE MECHANICAL



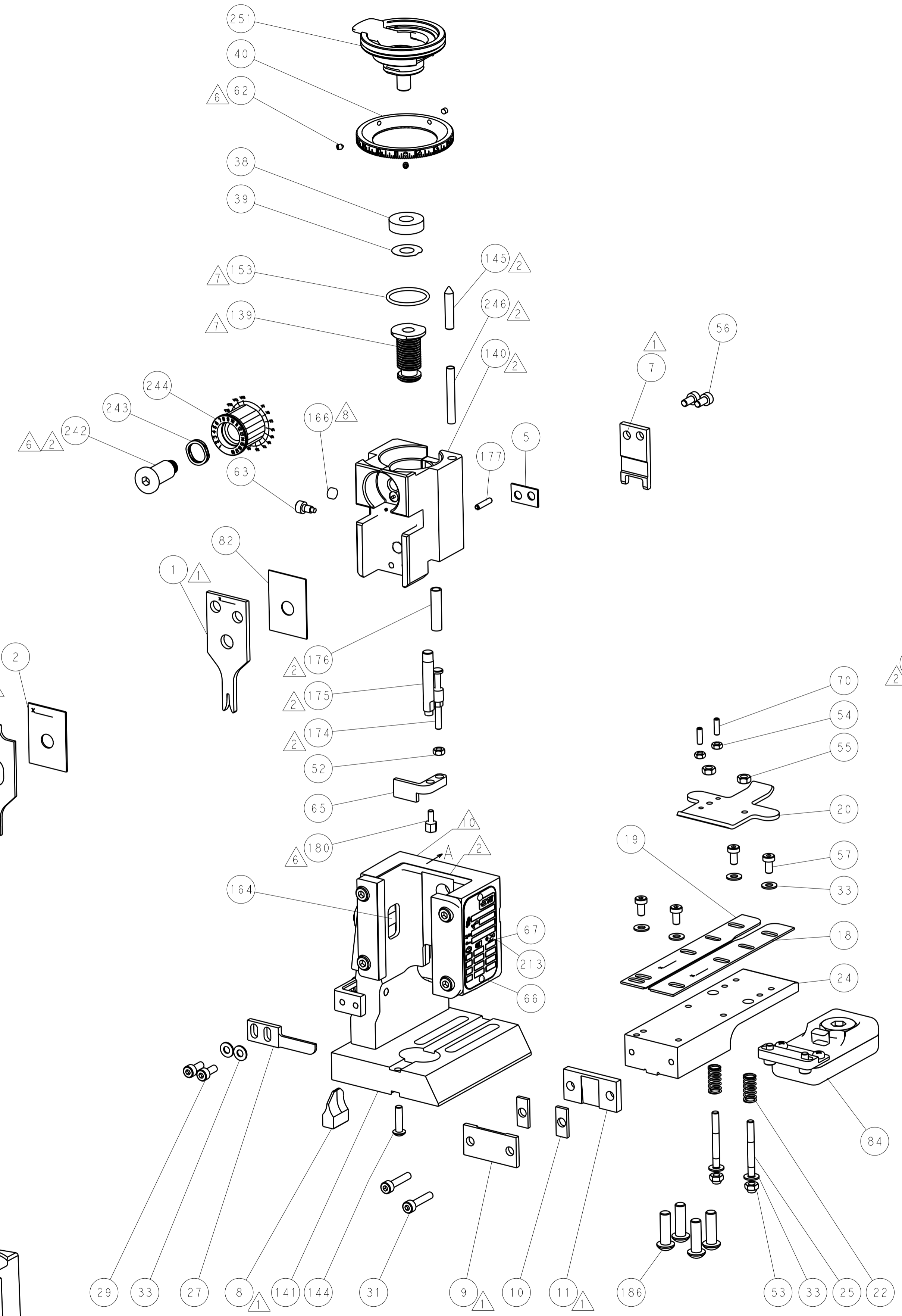
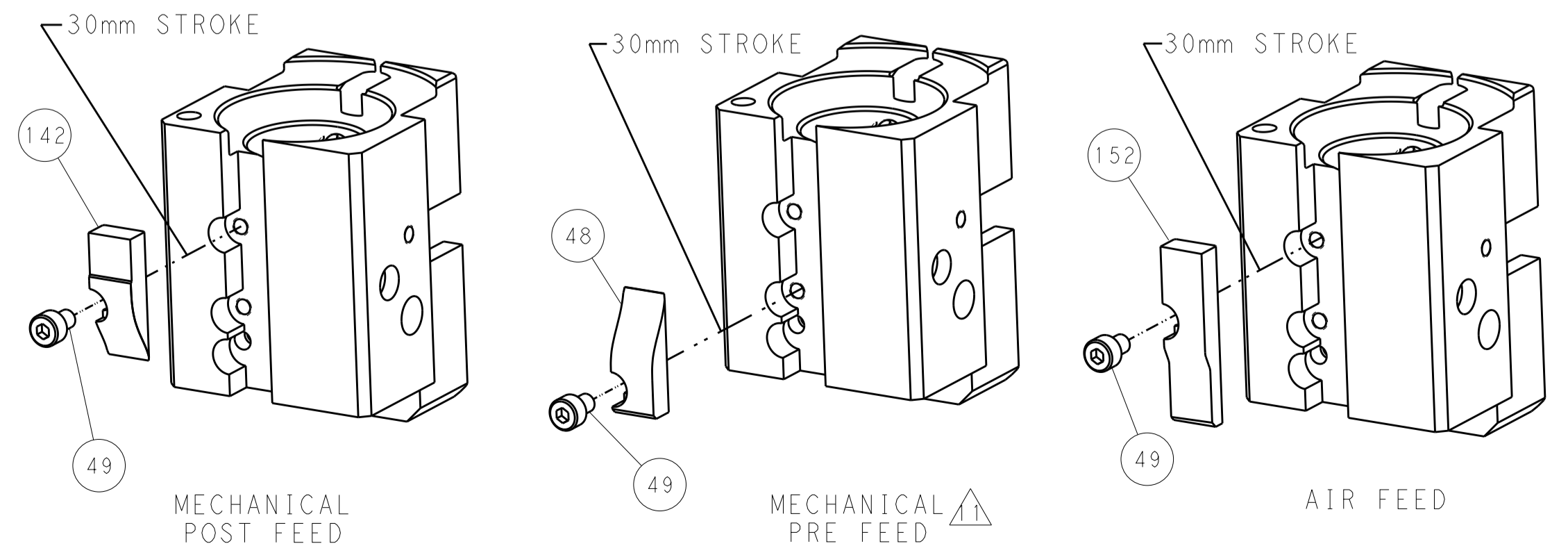
PNEUMATIC



SERVO LATCH PLATE



CAM POSITIONS



PACIFIC VERSION
 Shown on sheets 3 of 4 & 4 of 4
 (Atlantic version shown on sheets 1 of 4 & 2 of 4)

DIMENSIONS:		TOLERANCES UNLESS OTHERWISE SPECIFIED:		DWN - ZOMAR2014		CHK - ZOMAR2014		APVD - ZOMAR2014		NAME -		PRODUCT SPEC -		APPLICATION SPEC -		WEIGHT -		MATERIAL -		FINISH -			
mm	0 PLC	±		0	PLC	±		1	PLC	±		2	PLC	±		3	PLC	±		4	PLC	±	
	ANGLES	±			ANGLES	±			ANGLES	±			ANGLES	±			ANGLES	±			ANGLES	±	
Customer Accessible Production Drawing		SCALE 1:1		SHEET 4		OF 4		REV A		SIZE CAGE CODE DRAWING NO		RESTRICTED TO		A 00779 C=2150625									