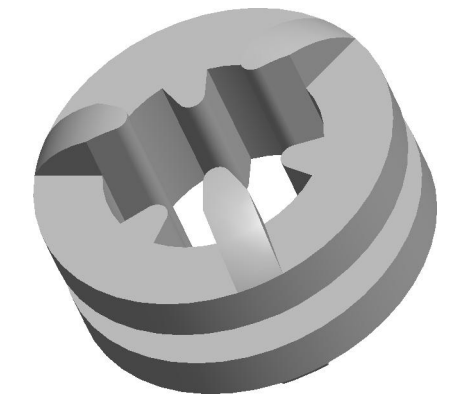
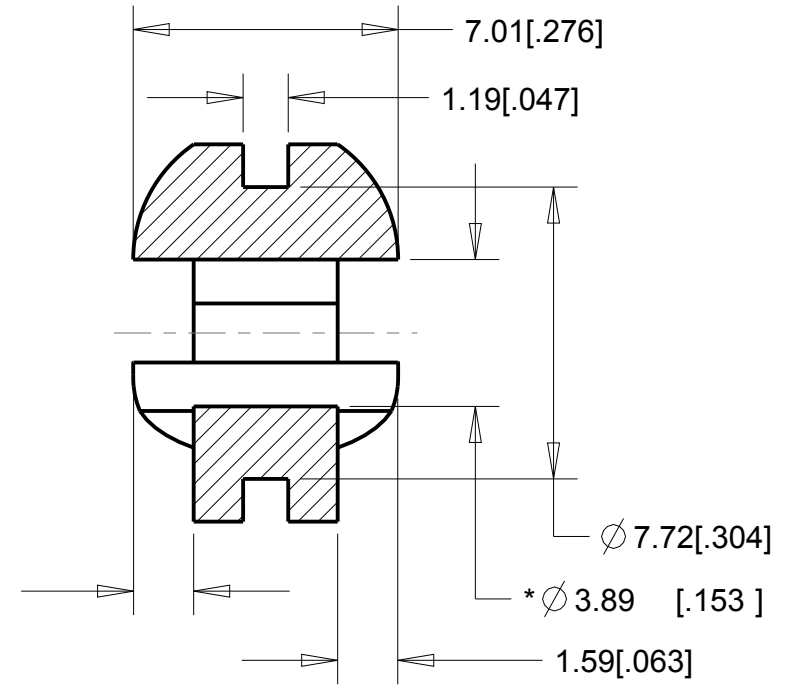
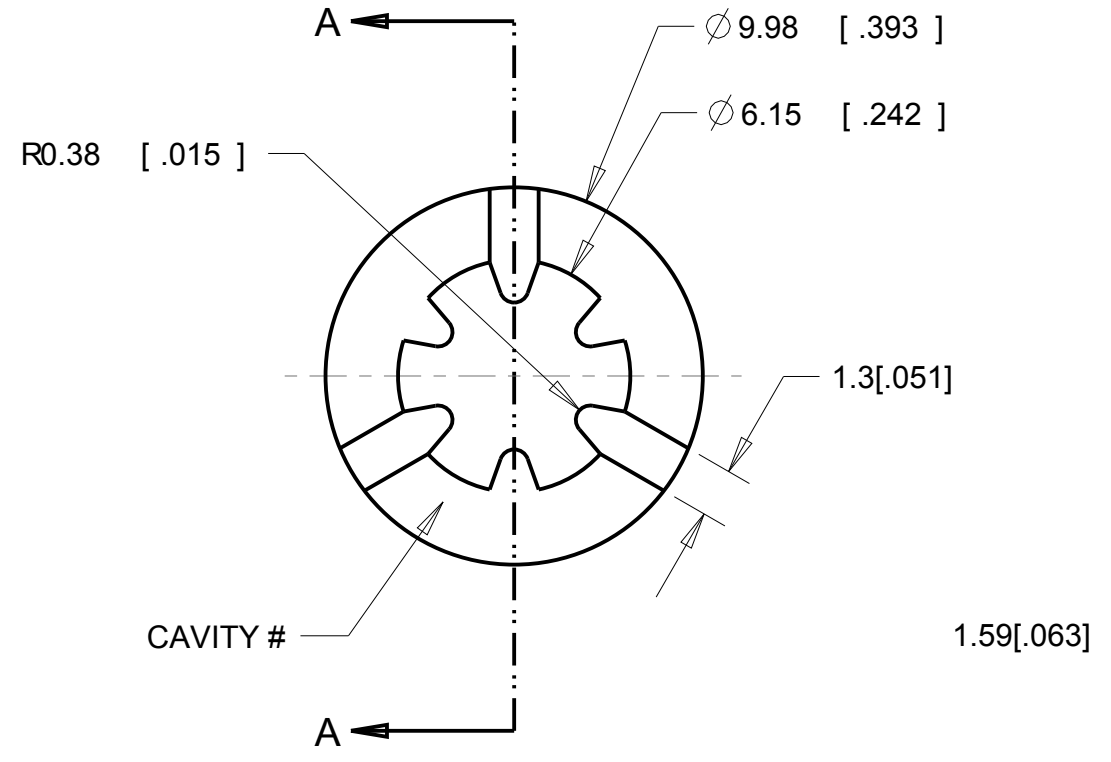




REVISIONS				
DRAWN	REV	DESCRIPTION	DATE	APPROVED
PAM	00	ORIGINAL	11-8-04	JAS
KP/TC	01	UPDATED FORMAT, NOTES AND TOLERANCES, ADDED WEIGHT AND CAVITY LOCATION.	9-8-11	MS



SECTION A-A

- 3. MAX DRAFT: 2°
- 2. CRITICAL DIMENSIONS SHALL HAVE Cpk VALUE >= 1.33 WITH ONGOING SPC DATA REQUIRED.
- 1. CRITICAL DIMENSIONS ARE MARKED WITH "\*".

NOTES:

G-462-C8012	C-8012
G-462-C8002	C-8002
G-462-C8001	C-8001
G-462-1	C-1002
G-462-2	C-1105
G-462-3	C-1100
G-462-V2325	V-2325
G-462-V2525	V-2525
G-462-V2590	V-2590
G-462-V2725	V-2725
PART NUMBER	MATERIAL

RANGE	TOL
0 < DIM <= 2 [.078]	± 0.15 [.006]
2 [.078] < DIM <= 25 [.98]	± 0.25 [.010]
25 [.98] < DIM <= 50 [1.969]	± 0.4 [.016]
50 [1.969] < DIM	± 0.6 [.024]

UNLESS OTHERWISE SPECIFIED UNITS ARE: MM [IN] TOLERANCE FOR ANGLES: ± 0.0 °	MATERIAL: <b>SEE TABLE ON LEFT</b>	AEARO TECHNOLOGIES LLC * a 3M company		
	ALLOWABLE FLASH: .12MM [.005]	QUALITY CONTROL: MUST COMPLY WITH E-A-R SPECIALTY COMPOSITES SUPPLIER QUALITY MANUAL REQUIREMENTS	TITLE <b>RIBBED GROMMET</b>	
GATE: ±.25MM [.010]	NOTES: ANY FEATURE NOT DIMENSIONED IN PRINT MUST BE VISIBLY PRESENT, UTILIZE 3D CAD FOR CREATION	SIZE <b>B</b>	DRAWING NO. <b>G-462-X</b>	PAGE NO. <b>1 OF 1</b>
0.25 GRAM REF				

1

2

3

4