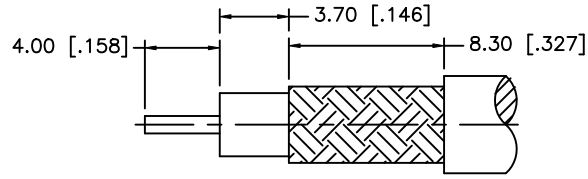
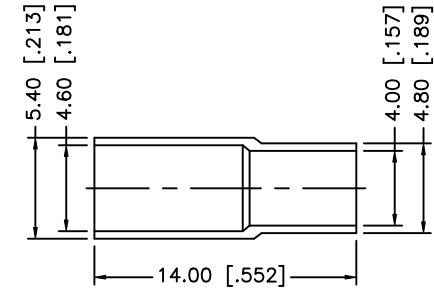
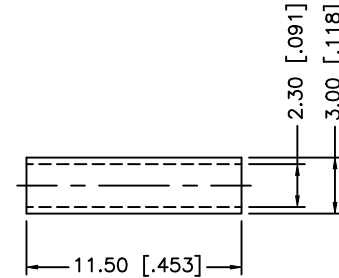
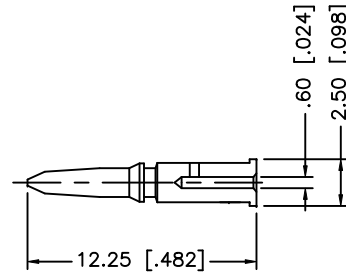
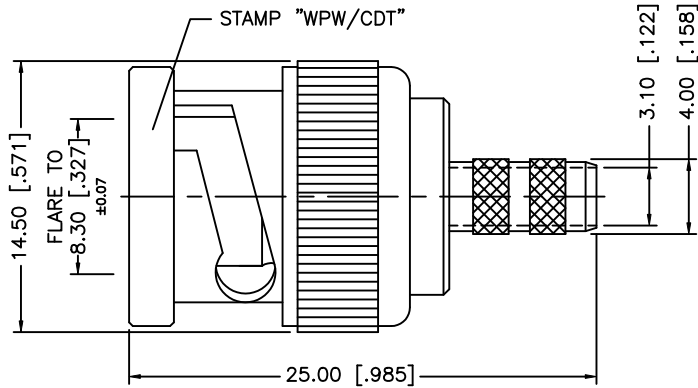


REV.	DATE	ECR NO.	DESCRIPTION
NC	05/22/03	-	INITIAL RELEASE
A	05/18/05	-	CORRECT PART NO. AND DESCRIPTION
B	10/24/06	-	ADD "75 ohm" TO DESCRIPTION
C	10/27/08	-	REVISE NOTE 1 TO .178" HEX CRIMP



RECOMMENDED CABLE STRIPPING DIM'S



NOTES:

1. CRIMPED FERRULE HEX CRIMP SIZE .178" [4.52]
2. CRIMPED CONTACT PIN HEX CRIMP SIZE .068" [1.73]

				UNLESS OTHERWISE SPECIFIED DIMENSIONS ARE IN MILLIMETERS. DIMENSIONS IN [ ] ARE IN INCHES AND FOR CUSTOMER REFERENCE ONLY.	APPROVALS	DATE	<h1 style="text-align: center;">Amphenol Connex</h1>				
8					DRAWN	GRS					10/27/08
7					CHECKED			<b>PART NO.</b> 112556			
6	FERRULE	COPPER	NICKEL	1	ISSUED						
5	SLEEVE	DELTRIN	NATURAL	1	SHEET	1 OF 1		<b>REV.</b> C <b>SIZE</b> A <b>SCALE</b> NA			
4	GASKET	RUBBER	RED	1							
3	CONTACT PIN	BRASS	GOLD	1							
2	INSULATOR	PTFE	NATURAL	1							
1	SHELL/BODY	BRASS	NICKEL	1							
DESCRIPTION				MATERIAL	FINISH	QTY	DO NOT SCALE DRAWING		CAD FILE C:/112/112556.DWG		

UNLESS OTHERWISE SPECIFIED DIMENSIONS ARE IN MILLIMETERS. DIMENSIONS IN [ ] ARE IN INCHES AND FOR CUSTOMER REFERENCE ONLY.

UNLESS OTHERWISE SPECIFIED TOLERANCES FOR MILLIMETERS ARE:  
 0.5 - 8mm ± 0.20mm  
 8 - 30mm ± 0.40mm  
 30 - 120mm ± 0.50mm

UNLESS OTHERWISE SPECIFIED TOLERANCES FOR INCHES ARE:  
 .020 - .315 = ± 0.007"  
 .315 - 1.180 = ± 0.015"  
 1.180 - 4.724 = ± 0.020"