

REFERENCE SPECIFICATIONS

-NFC 93425 (in compliance with HE 501)

PHYSICAL CHARACTERISTICS

-INSULATOR MATERIAL: THERMOPLASTIC UL94V0

-CONTACT MATERIAL: BRASS,
GOLD OVER NICKEL

-ACCESSORIES: BRASS,cadmium plated yellow passivation

-SHELLS: STEEL,cadmium plated yellow passivation

ELECTRICAL CHARACTERISTICS

-NOMINAL CURRENT: 7.5A

-CONTACT RESISTANCE: <= 7.3 m ohms

-CONTACT/CONTACT : >=1000 V

-CONTACT/GROUND : >=1200 V

-INSULATION RESISTANCE: >=5000 MOhms

ENVIRONMENTAL CHARACTERISTICS

- CLIMATIC CATEGORY: 55/125/56

TEMPERATURE RANGE -55°C TO +125°C

DAMP HEAT STEADY STATE 56 DAYS

SALT SPRAY 48 HOURS

MECHANICAL CHARACTERISTICS

- RETENTION AGAINST TORQUE: - Threaded insert: 0.7 N.m minimum

- Female screw : 0.5 N.m minimum

DBML25P400

Series

Shell size: **E A B C D**
see sheet 2

Front accessory definition
see sheet 2

- Blank** : without accessory
- F** : floating mounting
- L** : threaded insert M3
- O** : threaded insert UNC 4-40
- V** : female screw UNC 4-40

Contact number (see sheet 2)
9,15,25,37,50

Contacts

P : Pin

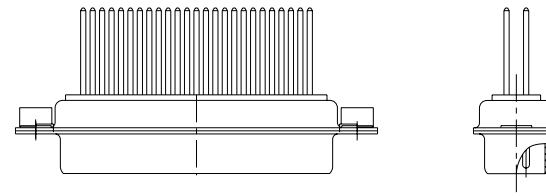
Termination type

4 3 level wire wrap contact

Plating

00 : 500 matings/unmatings

43 : 500 matings/unmatings for harsh environment



25 WAY for Example

rev	ecn no	dr	date
A	LS06-0174	MPE	2006/11/14
B	LS07-0273	MPE	2007/10/30
-	-	-	-
-	-	-	-
-	-	-	-
-	-	-	-

www.fciconnect.com		surface	tolerance std	projection	mm	
		ISO 1302	ISO 406 ISO 1101	⊕	← →	
		TOLERANCES UNLESS OTHERWISE SPECIFIED				
Dr	M PESSON	2006/11/14	ANGULAR	0.X	±0.3	size A2 Scale 2:1
Eng	P LEGARE	2006/11/14	LINEAR	0.xx	±0.1	ECN LS07-0273
Chr	P LEGARE	2006/11/14	0° ±2°	0.xxx	±0.05	Spec.ref
Appr	P LEGARE	2006/11/14	Product family			
		SUB MALE DM HE501 series		dwg no	C01-8637-1739	
		with 3 level wire wrap contact		Rev.	B	
catalog no		CUSTOMER		sheet 1 of 4		

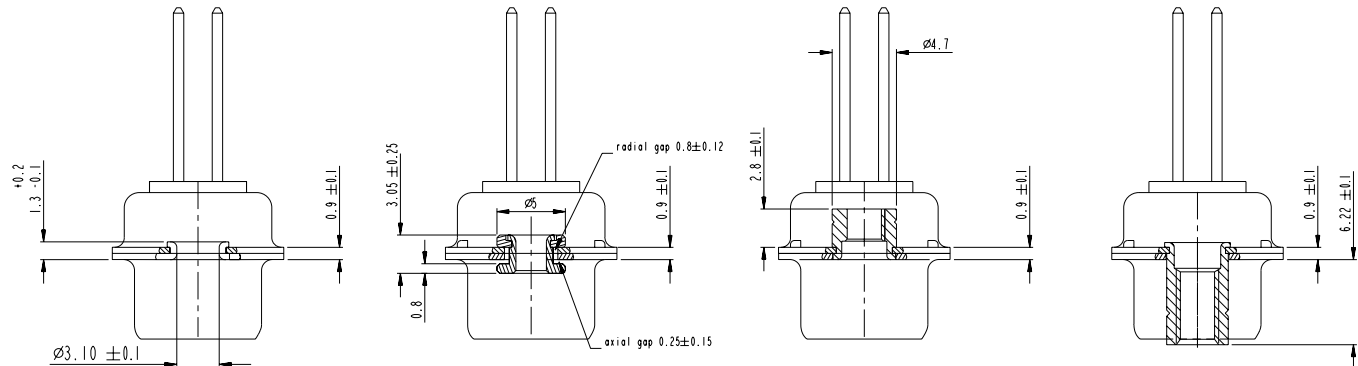
Copyright FCJ.

1 2 3 4 5 6 7 8

A

B

C



FRONT ACCESSORY	Blank without	F floating mounting	L insert M3 O insert UNC 4.40	V female screw UNC 4.40
-----------------	---------------	---------------------	----------------------------------	-------------------------

PART NUMBER	FRONT ACCESSORY
D*MxxP443	without
D*MFxxP443	floating mounting
D*MLxxP443	insert M3
D*MOxxP443	insert UNC 4.40
D*MVxxP443	female screw UNC 4.40

shell size	Contact number
Ø	XX
E	09
A	15
B	25
C	37
D	50

PART NUMBER	FRONT ACCESSORY
D*MxxP400	without
D*MFxxP400	floating mounting
D*MLxxP400	insert M3
D*MOxxP400	insert UNC 4.40
D*MVxxP400	female screw UNC 4.40

CROSS REFERENCES HE501 and FCI

HE501 P/N	FCI P/N	FRONT ACCESSORY
HE501NxxKP3	D*MxxP400	without
HE501FxxKP3	D*MFxxP400	floating mounting

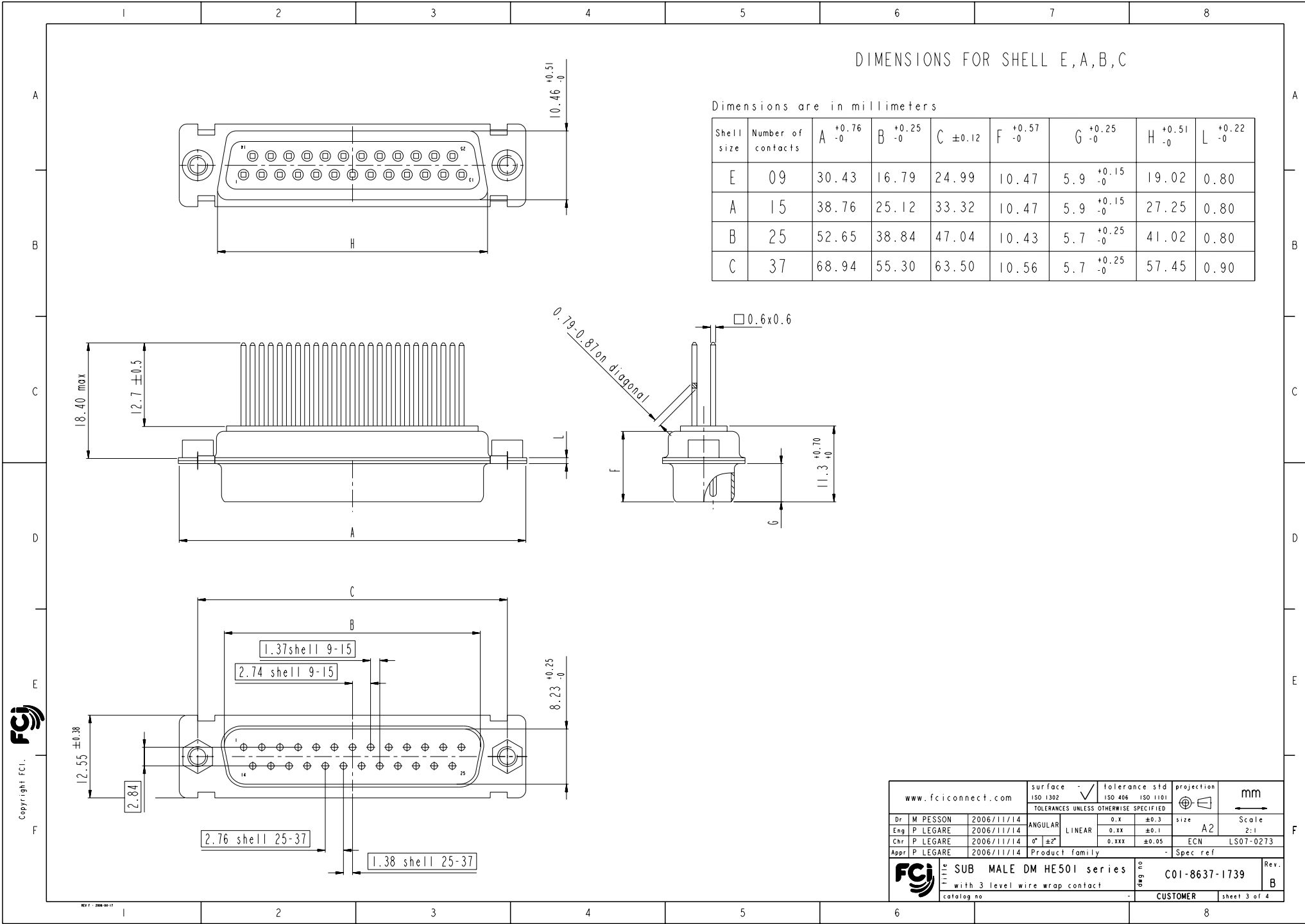
Copyright FCI, FCI

www.fciconnect.com		surface ISO 1302	tolerance std ISO 406 ISO 1101	projection	mm
		TOLERANCES UNLESS OTHERWISE SPECIFIED			
Dr M PESSON	2006/11/14	ANGULAR	0.X ±0.3	size A2	Scale 2:1
Eng P LEGARE	2006/11/14	LINEAR	0.xx ±0.1		
Chr P LEGARE	2006/11/14	0° ±2°	0.xxx ±0.05	ECN	LS07-0273
Appr P LEGARE	2006/11/14	Product family	- Spec ref		
FCI SUB MALE DM HE501 series		dwg no	C01-8637-1739		Rev. B
with 3 level wire wrap contact		CUSTOMER		sheet 2 of 4	

SCALE: 4

REV 7 - 2006-04-17

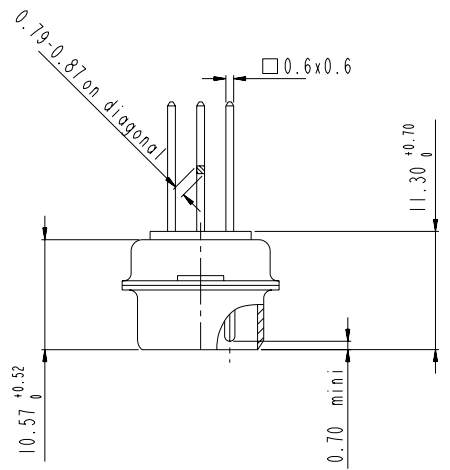
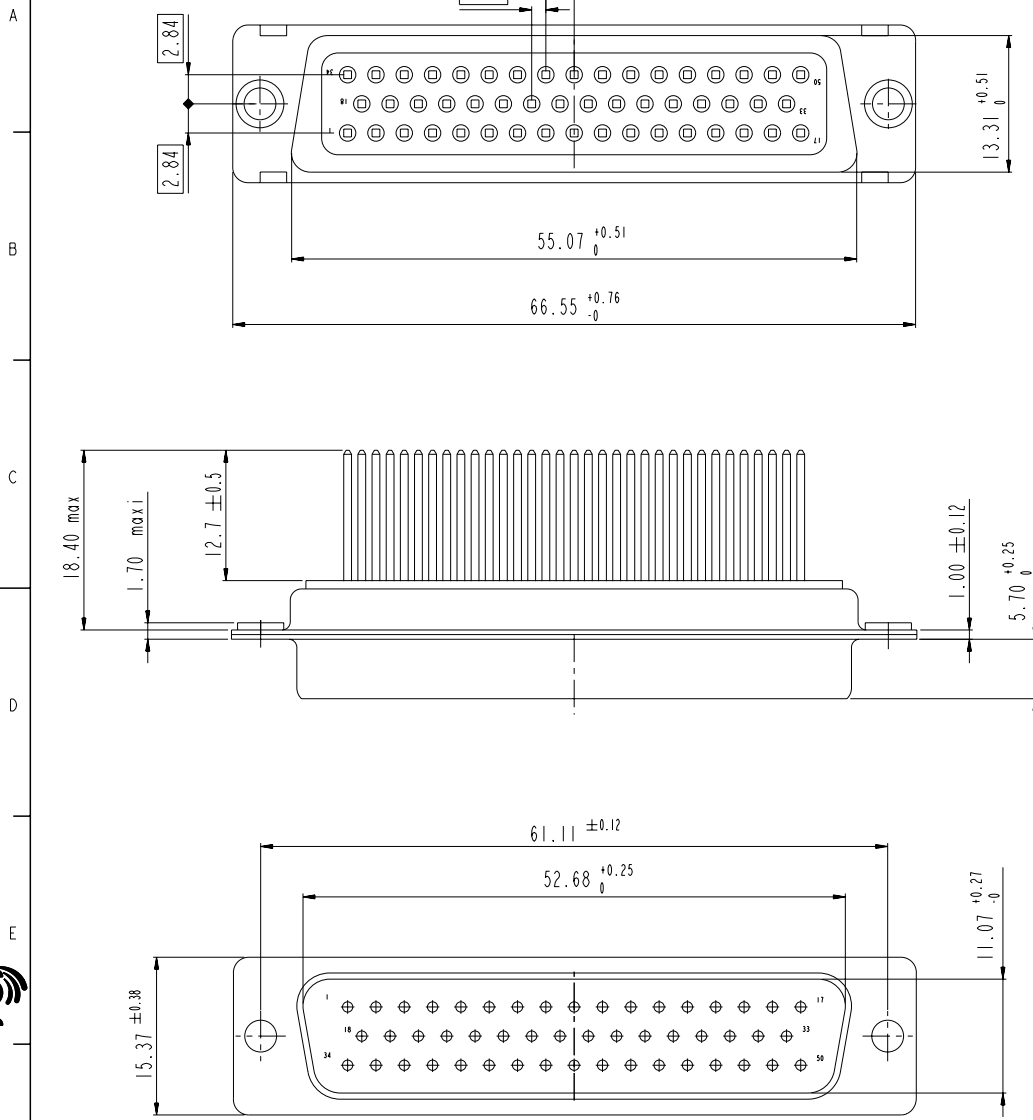
1 2 3 4 5 6 7 8



Copyright FCI. **FCI**

www.fciconnect.com		surface ISO 1302	tolerance std ISO 406 ISO 1101	projection mm
		TOLERANCES UNLESS OTHERWISE SPECIFIED		
Dr M PESSON	2006/11/14	ANGULAR	0.X ±0.3	size A2 Scale 2:1
Eng P LEGARE	2006/11/14	LINEAR	0.XX ±0.1	ECN LS07-0273
Chr P LEGARE	2006/11/14	0° ±2°	0.XXX ±0.05	Spec ref
Appr P LEGARE	2006/11/14	Product family		
FCI SUB MALE DM HE501 series		cat no	C01-8637-1739	Rev. B
with 3 level wire wrap contact		CUSTOMER	sheet 3 of 4	

DIMENSIONS FOR SHELL SIZE D (50 CONTACTS)



Copyright FCI. **FCI**

www.fciconnect.com		surface ISO 1302	tolerance std ISO 406 ISO 1101	projection mm
		TOLERANCES UNLESS OTHERWISE SPECIFIED		
Dr	M PESSON	2006/11/14	ANGULAR	size A2
Eng	P LEGARE	2006/11/14	LINEAR	Scale 2:1
Chr	P LEGARE	2006/11/14	0°. ±2'	ECN LS07-0273
Appr	P LEGARE	2006/11/14	Product family	Spec ref
FCI SUB MALE DM HE501 series		cat no	C01-8637-1739	Rev. B
with 3 level wire wrap contact		CUSTOMER	sheet 4 of 4	