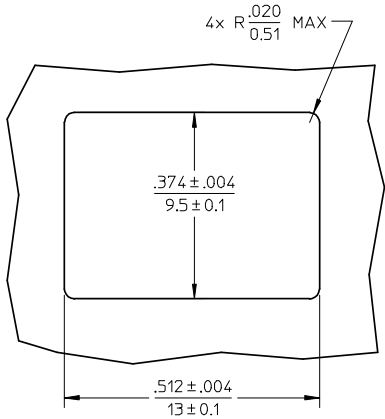
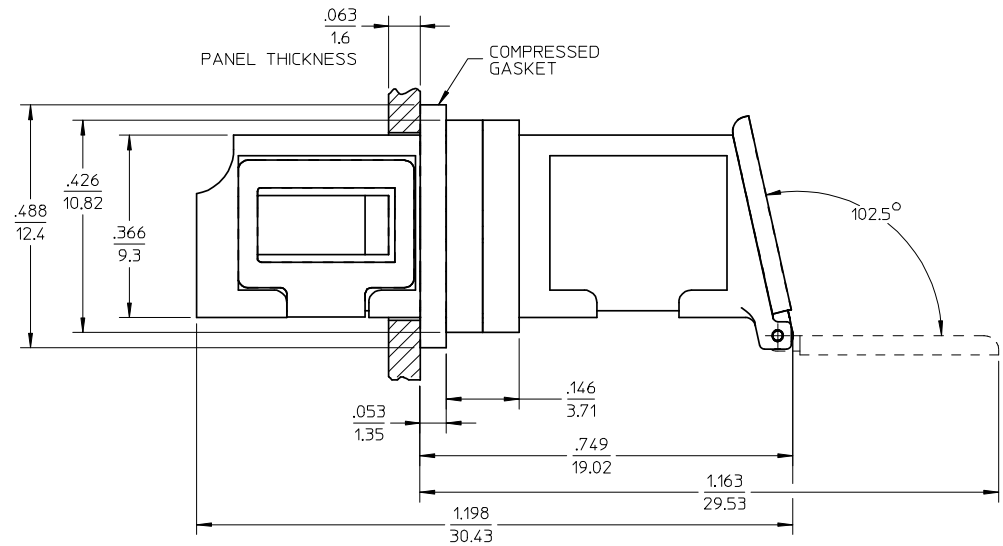
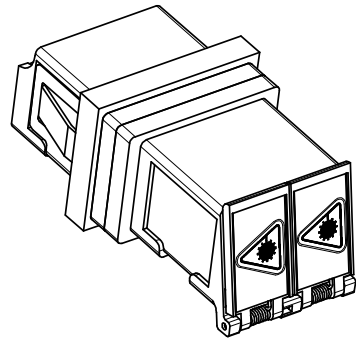
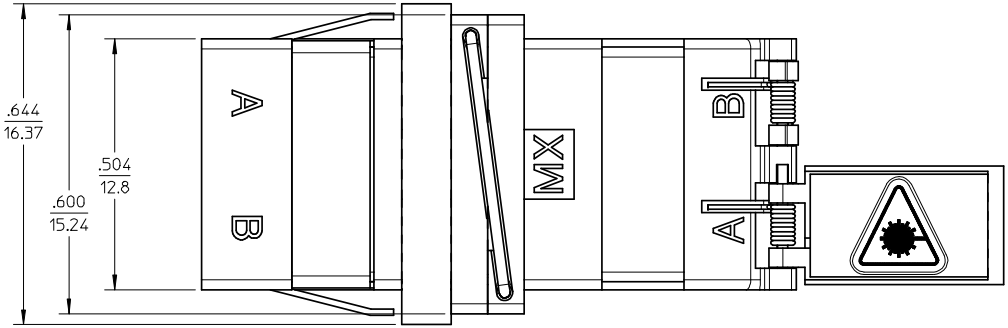
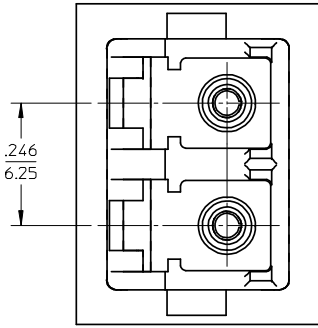


| ADAPTER P/N | SPLIT SLEEVE MATERIAL | EMI GASKET MATERIAL |
|-------------|-----------------------|---------------------|
| 106115-2110 | Zr | FABRIC OVER FOAM |
| 106115-2116 | Ph. Bronze | FABRIC OVER FOAM |
| 106115-2117 | Zr | SOLID |



RECOMMENDED PANEL CUTOUT
 PANEL THICKNESS - 1.6mm/.063"



- NOTES:
1. ALL DIMENSIONS ARE FOR REFERENCE ONLY.
 2. CONDUCTIVE FABRIC OVER FOAM GASKET IS SUPPLIED WITH PART.
 3. PART IS DIECAST.
 4. DUST CAPS NOT SHOWN.
 5. ADAPTERS TO BE PACKAGED IN TRAY.

| | | | | | | | | |
|---|-------------------------------|---|---------------------|---------------------------|--|----------------------|------------------------|--|
| ENTER DESCRIPTION EC NO: MF2009-0058 DR: MINKPEVZNER CHKD: 2008/08/06 APPR: LGUMIN 2008/08/07 | QUALITY SYMBOLS ▽=0 ▽=0 | GENERAL TOLERANCES (UNLESS SPECIFIED) | | DIMENSION STYLE IN/MM | SCALE 4:1 | DESIGN UNITS INCH | THIRD ANGLE PROJECTION | |
| | | 4 PLACES ± --- ± --- 3 PLACES ± --- ± --- 2 PLACES ± --- ± --- 1 PLACE ± --- ± --- | DRAWN BY PGIBLIN | DATE 2005/12/09 | TITLE LC-D EMI ADAPTER, (SNAP MOUNT, W/SHUTTERS) | | | |
| | | ANGULAR ±1/2° | | CHECKED BY DATE | APPROVED BY DATE | | | |
| | | DRAFT WHERE APPLICABLE MUST REMAIN WITHIN DIMENSIONS | | MATERIAL NO. SEE TABLE | DOCUMENT NO. SD-106115-211X | SHEET NO. 1 OF 1 | | |
| B3 | REV DESCRIPTION | THIS DRAWING CONTAINS INFORMATION THAT IS PROPRIETARY TO MOLEX INCORPORATED AND SHOULD NOT BE USED WITHOUT WRITTEN PERMISSION | | | | | | |