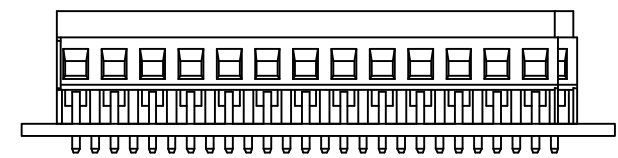
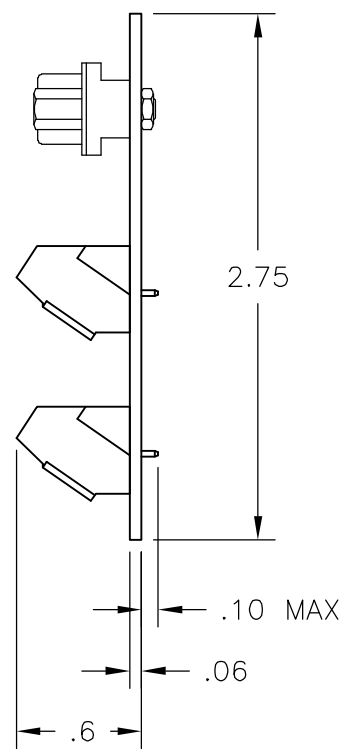
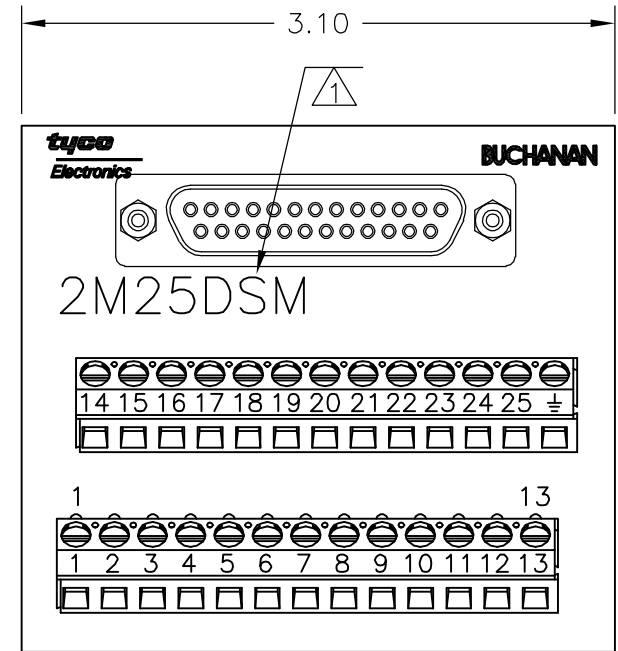


THIS DRAWING IS UNPUBLISHED. RELEASED FOR PUBLICATION  
 © COPYRIGHT BY TYCO ELECTRONICS CORPORATION. ALL RIGHTS RESERVED.

LOC	DIST	REVISIONS			
P	LTR	DESCRIPTION	DATE	DWN	APVD
FT	0	E1	REVISED PER ECO-06-855	1/12/06	SS SRY



**D-SUB CONNECTOR:**  
**MATERIALS:**  
 HOUSING: THERMOPLASTIC POLYESTER, 94V-0.  
 CONTACTS: COPPER ALLOY, GOLD PLATED.

**MECHANICAL:**  
 WIRE RANGE: 26-30 AWG SOLID, 28 AWG STRANDED.

**TERMINAL BLOCK:**  
**MATERIALS:**  
 HOUSING: THERMOPLASTIC NYLON, BLACK, 94V-0.  
 TERMINALS: COPPER ALLOY, TIN PLATE.  
 SCREWS: 3M, BRASS, NICKEL PLATED.

**ELECTRICAL CSA/UL:**  
 RATING: 10A, 300V.

**MECHANICAL:**  
 WIRE RANGE: 14-22 AWG.

**MOUNTING:**  
**MATERIALS:** RIGID PVC, GRAY.  
**MOUNTING:** 2TK2 AND 2TK2D SERIES SNAPTRACK,  
 (SOLD SEPARATELY).

**NOTES:**  
 ① CATALOG NUMBER MARKED HERE.  
 ② CONTAINS NO TIN-LEAD PLATING.

②	2M25DSML	1776606-1
	2M25DSM	1-1437684-8
	CATALOG NO.	PART NUMBER

THIS DRAWING IS A CONTROLLED DOCUMENT.		DWN S SCHLEGEL 08JUL02	Tyco Electronics Corporation Harrisburg, PA 17105-3608	
DIMENSIONS: INCHES		CHK H. WAKEEM 7/8/02		
		APVD H. WAKEEM 7/8/02	NAME 2M25DSM ASSEMBLY	
TOLERANCES UNLESS OTHERWISE SPECIFIED:		PRODUCT SPEC	-	
0 PLC ± - 1 PLC ± .1 2 PLC ± .01 3 PLC ± - 4 PLC ± - ANGLES ± -		APPLICATION SPEC	-	
MATERIAL		WEIGHT	SIZE A3	CAGE CODE 00779
-		-	DRAWING NO 1-1437684-8	
		CUSTOMER DRAWING		RESTRICTED TO -
		SCALE NTS	SHEET 1 of 1	REV E1