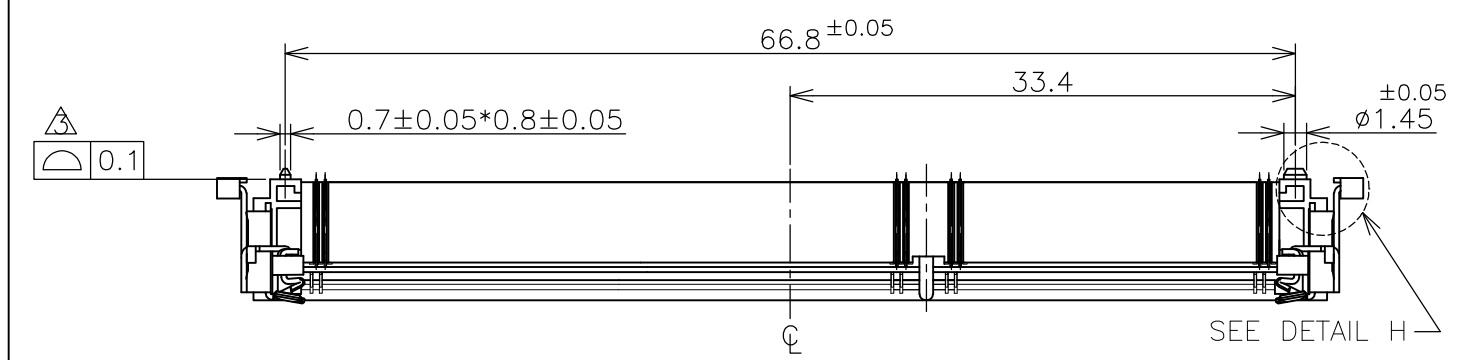
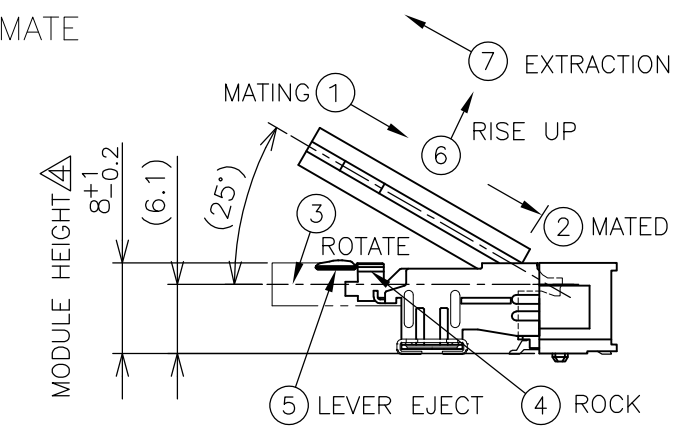


THIS DRAWING IS UNPUBLISHED. RELEASED FOR PUBLICATION SEP ,2007.
 © COPYRIGHT 2007 By - ALL RIGHTS RESERVED.

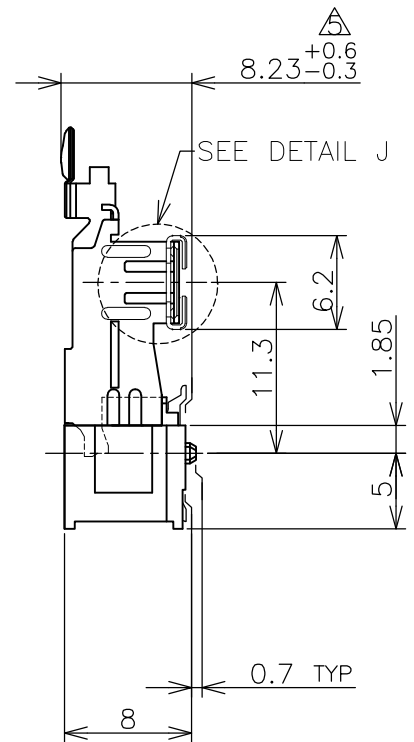
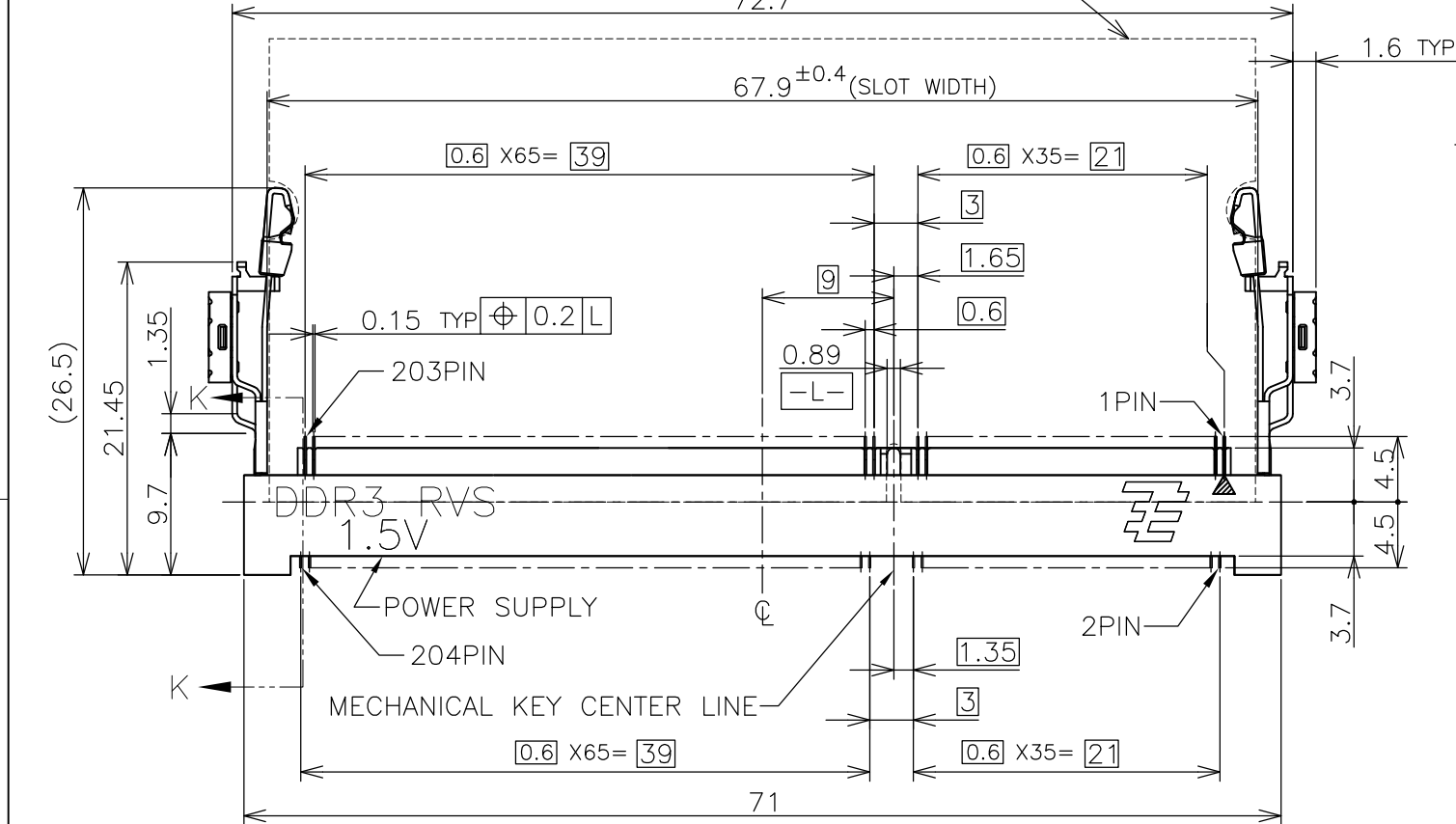
LOC	DIST	REVISIONS			
P	LTR	DESCRIPTION	DATE	DWN	APVD
J	/				
	D	REVISED PER ECR-12-004002	01MAR2012	W.W	C.W



HOW TO MATE AND UNMATE



RECOMMENDED MATING P.C.B OUTLINE
72.7±0.5

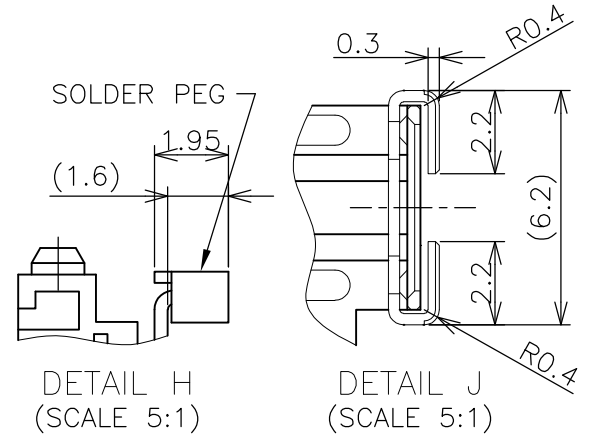
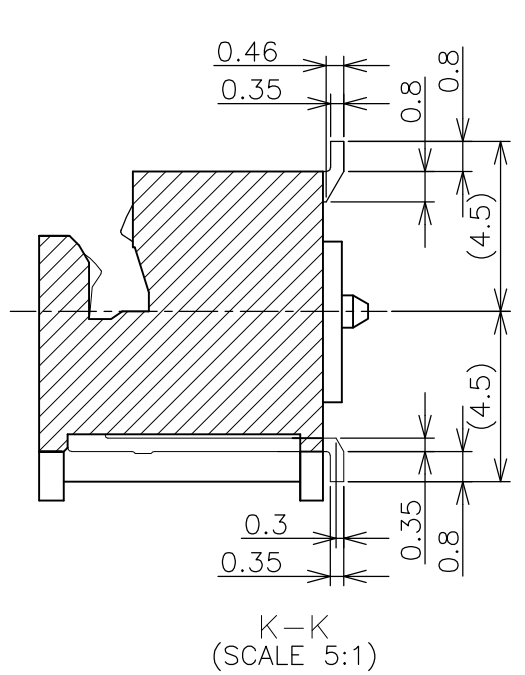


SEE DETAIL J (APPLIED TO SHEET 1-3)

- 1. MATERIAL ; HOUSING: HIGH TEMPERATURE THERMO PLASTIC UL94V-0
COLOR: SEE TABLE
CONTACT: COPPER ARROY
LOCK LEVER: STAINLESS STEEL
PEG: COPPER ARROY
- 2-1. FINISH ; CONTACT AREA: GOLD FLASH
ALL OVER NICKEL.
SOLDERING AREA: GOLD FLASH PLATING
PEG: TIN PLATING.
- 2-2. FINISH ; CONTACT AREA: 0.000254MIN GOLD
ALL OVER NICKEL.
SOLDERING AREA: GOLD FLASH PLATING
PEG: TIN PLATING.
- 2-3. FINISH ; CONTACT AREA: 0.00076MIN GOLD
ALL OVER NICKEL.
SOLDERING AREA: GOLD FLASH PLATING
PEG: TIN PLATING.

- △ COPLANARITY: 0.1 MAX. (BEFORE SOLDERING)
- △ THE FLOATING VALUE BY SOLDERING IS NOT INCLUDED.
- △ NOT MATING CONDITION.

6. IF THE MODULE DOESN'T INSERT AND LOCK IN THE LATCH SMOOTHLY, OPEN WIDE BOTH LATCHES BY MANUAL. AND THE MODULE MUST BE INSERTED AND LOCKED IN THE LATCH.



GENERAL TOLERANCE
 10 ≥ ±0.2
 30 ≥ >10: ±0.25
 100 ≥ >30: ±0.3
 ANGLES: ±3°

THIS DRAWING IS A CONTROLLED DOCUMENT.		DWN T.FUMIKURA 18SEP2007	TE Connectivity			
DIMENSIONS: MM		CHK K.IKEGAMI 18SEP2007				NAME
TOLERANCES UNLESS OTHERWISE SPECIFIED:		APVD K.IKEGAMI 18SEP2007	DDR3 SODIMM SOCKET			
0 PLC ±		PRODUCT SPEC 108-78493 APPLICATION SPEC	0.6mm PITCH 204POS			
1 PLC ±			8.0mm HEIGHT REVERSE TYPE			
2 PLC ±			SIZE	CAGE CODE	DRAWING NO	RESTRICTED TO
3 PLC ±			4	A300779	C-2013298	-
4 PLC ±		WEIGHT	5.8g	SCALE 2:1 SHEET 1 OF 6 REV D		
ANGLES ±		CUSTOMER DRAWING				
FINISH						

4

3

2

1

THIS DRAWING IS UNPUBLISHED.

RELEASED FOR PUBLICATION SEP , 2007.

© COPYRIGHT 2007 By -

ALL RIGHTS RESERVED.

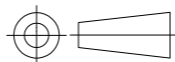
LOC	DIST	REVISIONS				
P	LTR	DESCRIPTION	DATE	DWN	APVD	
	-	SEE SHEET 1	-	-	-	

AVAILABLE	ENBOSS (SEE SHEET 6)	WITHBOSS	BLACK	NOTE 2-3	1.5V	204	2-2013298-3
AVAILABLE	ENBOSS (SEE SHEET 6)	WITHBOSS	BLACK	NOTE 2-2	1.5V	204	2-2013298-2
AVAILABLE	ENBOSS (SEE SHEET 6)	WITHBOSS	BLACK	NOTE 2-1	1.5V	204	2-2013298-1
AVAILABLE	SEMI-HARD TRAY (SEE SHEET 5)	WITH BOSS	BLACK	NOTE 2-3	1.5V	204	2013298-3
AVAILABLE	SEMI-HARD TRAY (SEE SHEET 5)	WITH BOSS	BLACK	NOTE 2-2	1.5V	204	2013298-2
AVAILABLE	SEMI-HARD TRAY (SEE SHEET 5)	WITH BOSS	BLACK	NOTE 2-1	1.5V	204	2013298-1
TOOLING STATUS	PACKAGING TYPE	REMARK	HOUSING COLOR	FINISH	POWER SUPPLY	POS	PART NO.

THIS DRAWING IS A CONTROLLED DOCUMENT.

DIMENSIONS:

MM




TOLERANCES UNLESS OTHERWISE SPECIFIED:

0 PLC ± 0.5
 1 PLC ± 0.5
 2 PLC ± 0.5
 3 PLC ± 0.5
 4 PLC ± 0.5
 ANGLES ± 3'

MATERIAL

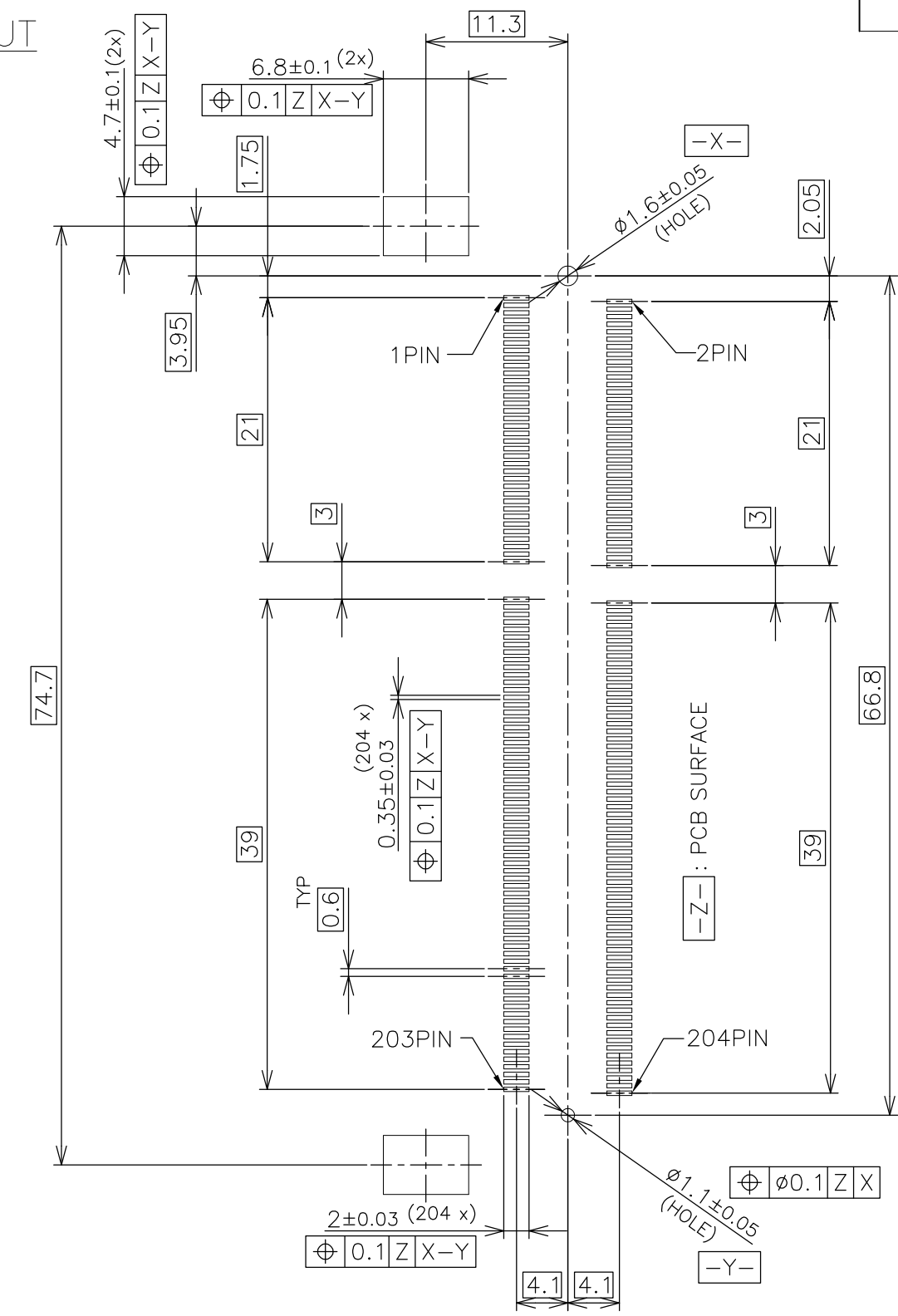
FINISH

DWN	 TE Connectivity
CHK	
APVD	
PRODUCT SPEC	
APPLICATION SPEC	NAME DDR3 SODIMM SOCKET 0.6mm PITCH 204POS 8.0mm HEIGHT REVERSE TYPE
WEIGHT	SIZE A3
CUSTOMER DRAWING	CAGE CODE 00779
SCALE 2:1	DRAWING NO C-2013298
SHEET 2 of 6	RESTRICTED TO -
REV D	

THIS DRAWING IS UNPUBLISHED. RELEASED FOR PUBLICATION SEP ,2007.
 © COPYRIGHT 2007 By - ALL RIGHTS RESERVED.

LOC		DIST		REVISIONS		
P	LTR	DESCRIPTION	DATE	DWN	APVD	
J	/	SEE SHEET 1	-	-	-	

REFERENCE P.C.BOARD PATTERN LAYOUT (CONNECTOR MOUNTING SIDE)



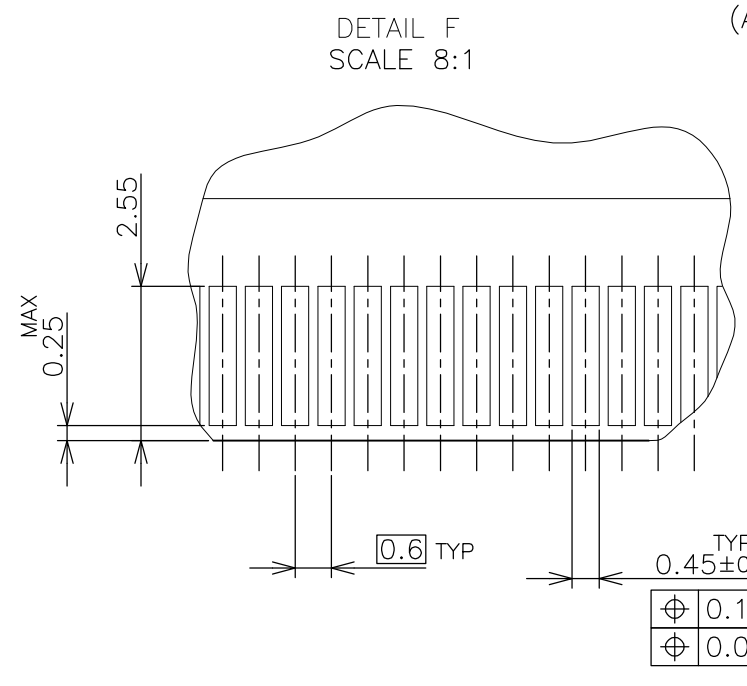
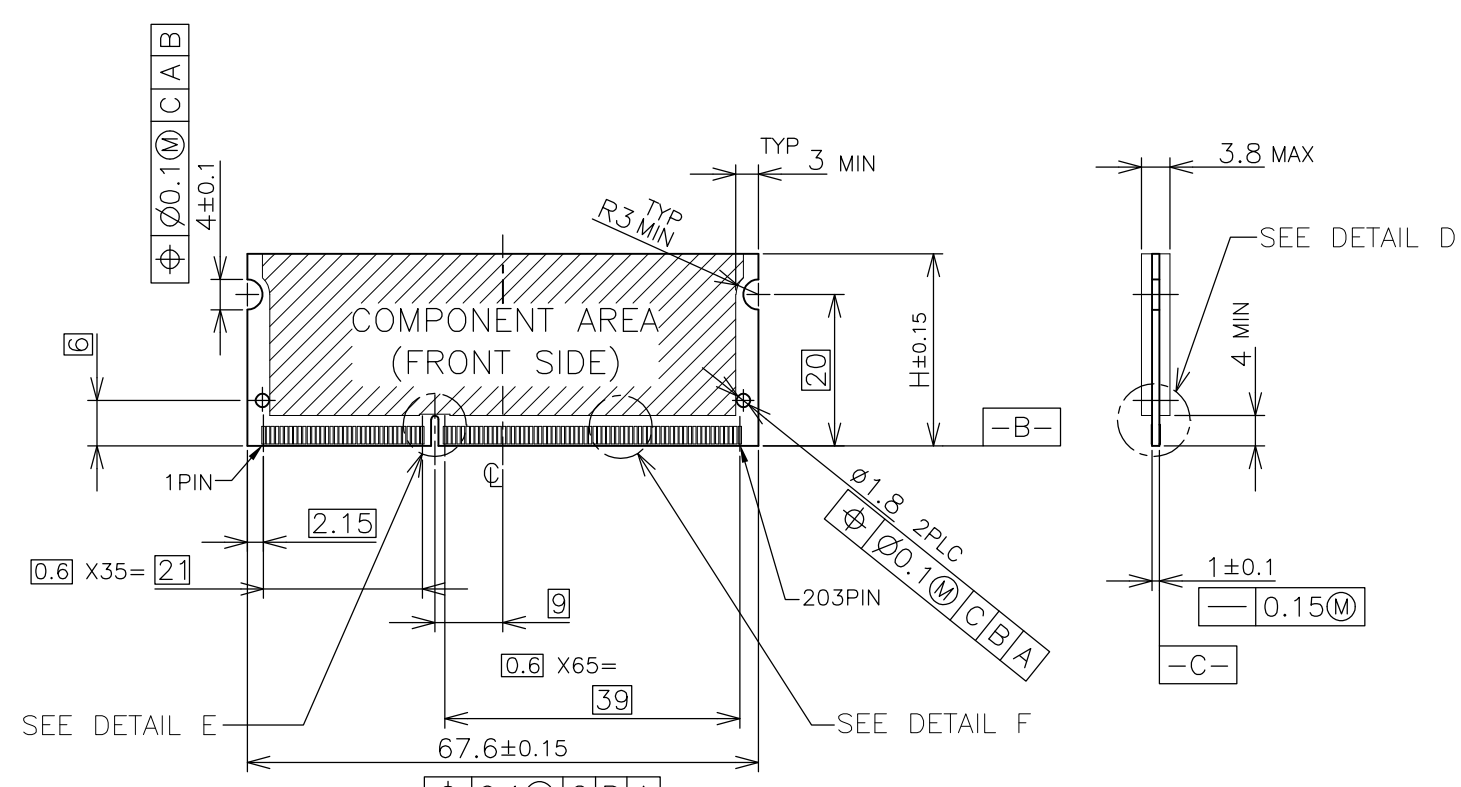
RVS TYPE

THIS DRAWING IS A CONTROLLED DOCUMENT.		DWN		TE Connectivity	
DIMENSIONS: MM		CHK			
		APVD		NAME	
		PRODUCT SPEC		DDR3 SODIMM SOCKET 0.6mm PITCH 204POS 8.0mm HEIGHT REVERSE TYPE	
MATERIAL		APPLICATION SPEC		SIZE	RESTRICTED TO
TOLERANCES UNLESS OTHERWISE SPECIFIED:		WEIGHT		CAGE CODE	DRAWING NO
0 PLC	\pm	CUSTOMER DRAWING		A3	00779
1 PLC	\pm	SCALE		C-	2013298
2 PLC	\pm	2:1		SHEET 3 OF 6	
3 PLC	\pm	REV		D	
4 PLC	\pm	REV		D	
ANGLES	\pm	REV		D	
FINISH	\pm	REV		D	

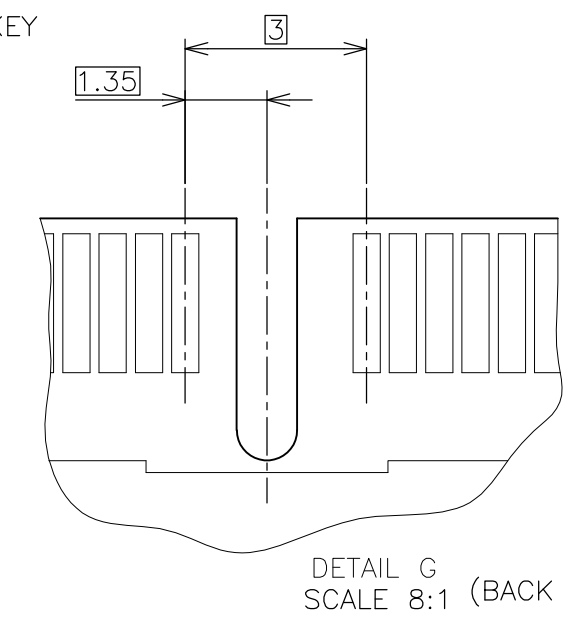
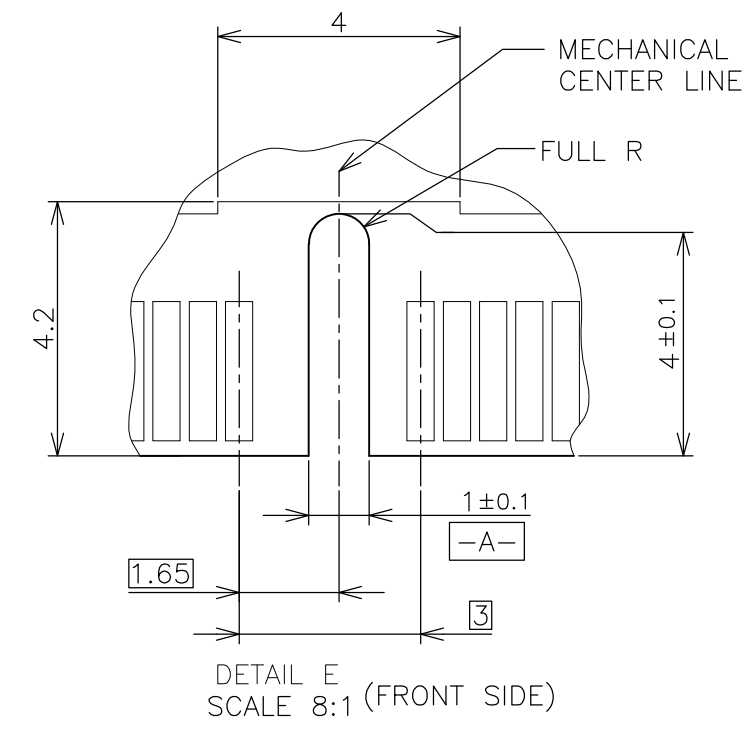
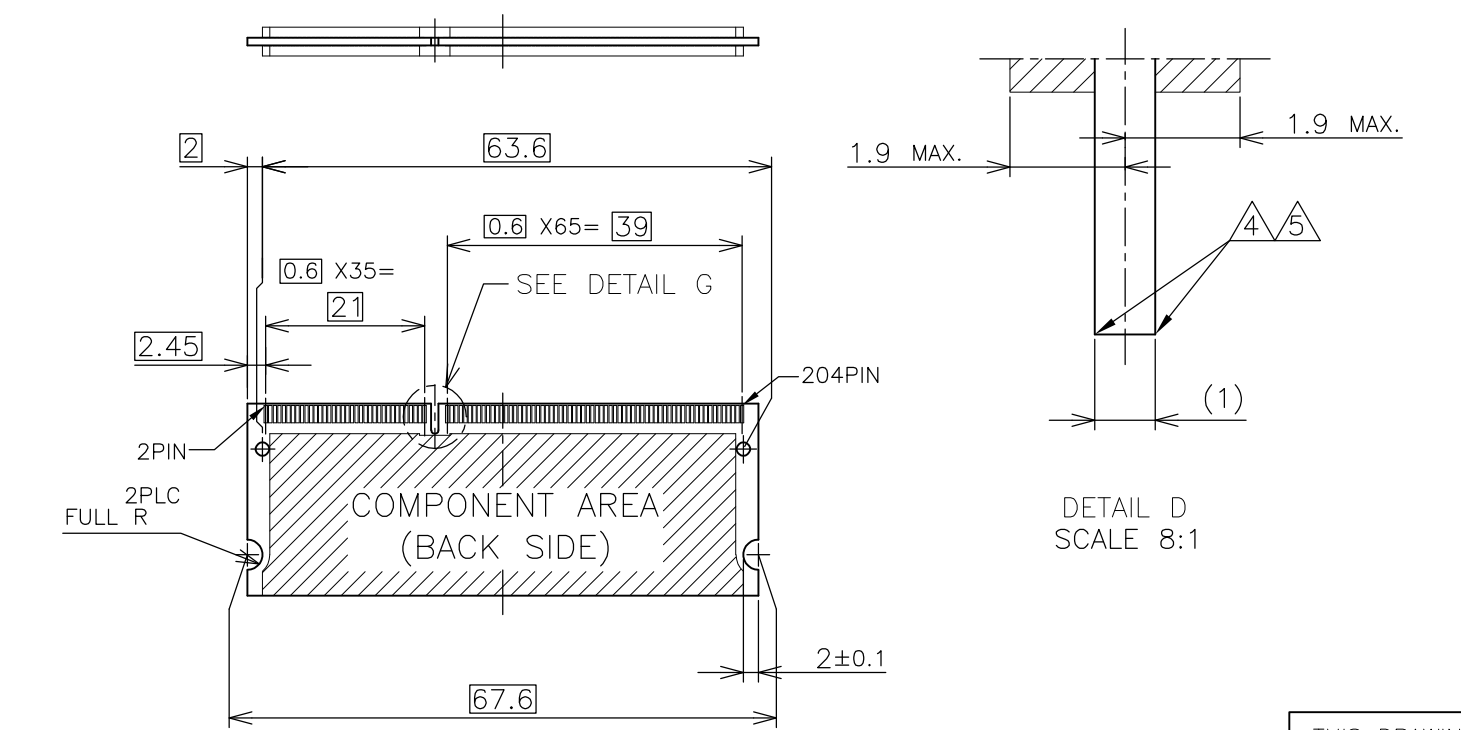
THIS DRAWING IS UNPUBLISHED. RELEASED FOR PUBLICATION SEP ,2007.
 © COPYRIGHT 2007 By - ALL RIGHTS RESERVED.

LOC		DIST		REVISIONS			
P	LTR	DESCRIPTION	DATE	DWN	APVD		
J	/	-	SEE SHEET 1	-	-		

REFERENCE MATING P.C.B CONFIGURATION



- (APPLIED TO SHEET 4)
1. TOLERANCES ON ALL DIMENSIONS ±0.15 UNLESS OTHERWISE SPECIFIED.
 2. P.C. BOARD THICKNESS APPLIES ACROSS TABS AND INCLUDES PLATING AND/OR METALIZATION.
 3. FINISH OF PAD : GOLD PLATING 0.00076 MIN. OVER Ni PLATING 0.002MIN.
- NO BURR
 CHAMFER 0.25 MAX x 45° IF EXIST.



30	CA
31.75	BA
25.4	AA
H	SDRAM VARIATIONS

THIS DRAWING IS A CONTROLLED DOCUMENT.		DWN		TE Connectivity DDR3 SODIMM SOCKET 0.6mm PITCH 204POS 8.0mm HEIGHT REVERSE TYPE	
DIMENSIONS: MM		CHK			
TOLERANCES UNLESS OTHERWISE SPECIFIED:		APVD			
0 PLC ± 1 PLC ± 2 PLC ± 3 PLC ± 4 PLC ± ANGLES ± FINISH ±		NAME			
MATERIAL		PRODUCT SPEC		SIZE	
		APPLICATION SPEC		CAGE CODE	
		WEIGHT		DRAWING NO	
		CUSTOMER DRAWING		RESTRICTED TO	
		SCALE 2:1		SHEET 4 OF 6	
				REV D	

A3 00779 C-2013298
 A3 00779 C-2013298

4

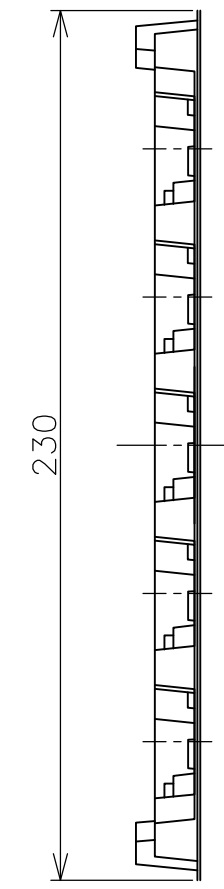
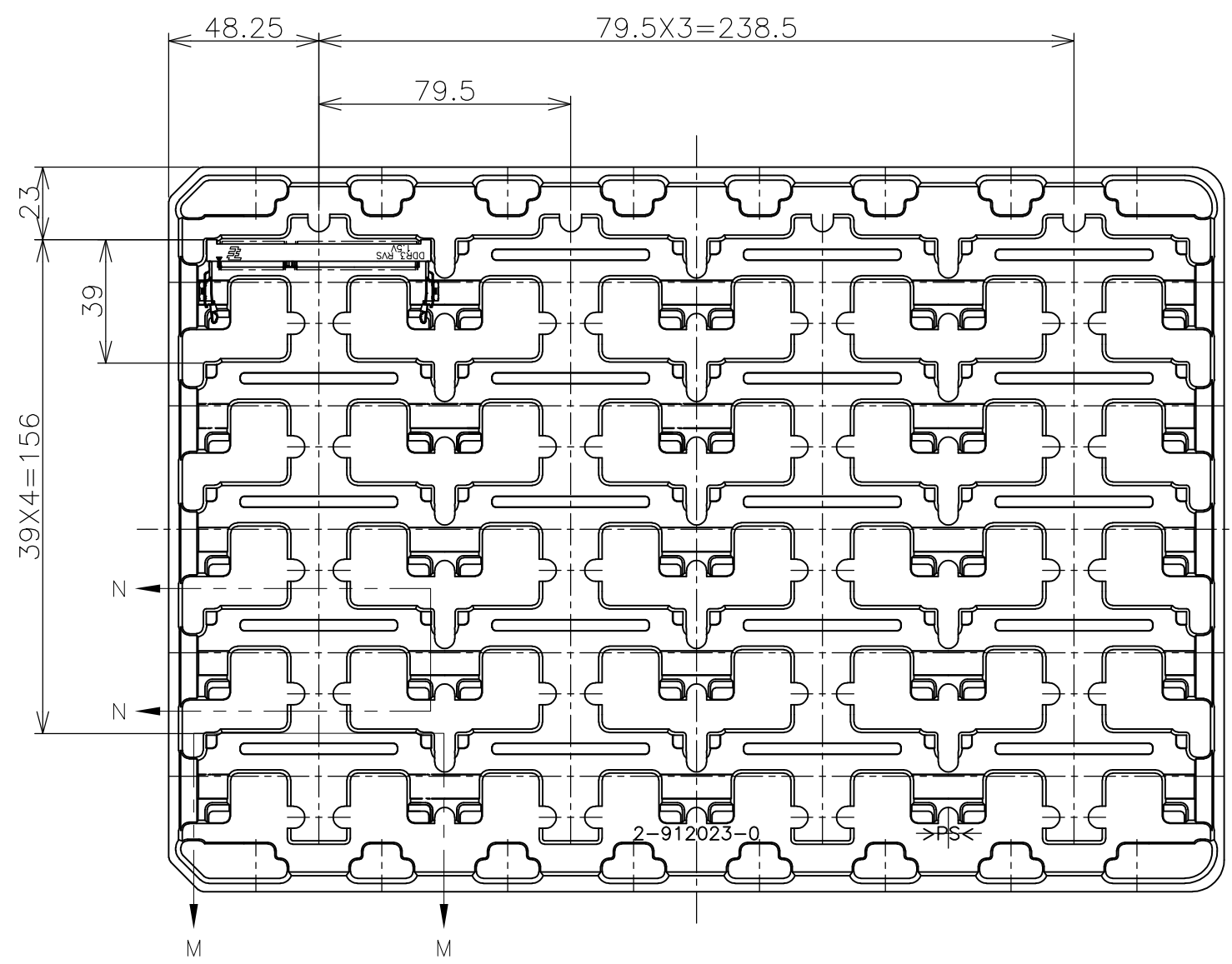
3

2

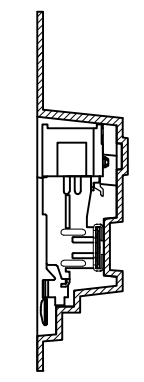
1

THIS DRAWING IS UNPUBLISHED. RELEASED FOR PUBLICATION SEP ,2007.
 © COPYRIGHT 2007 By - ALL RIGHTS RESERVED.

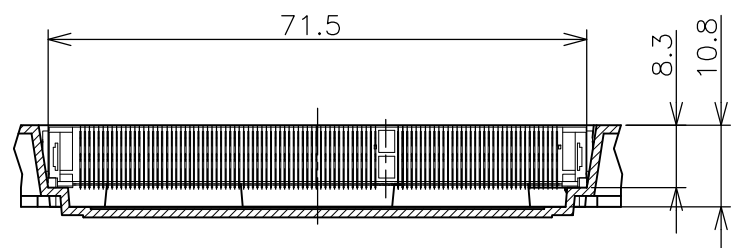
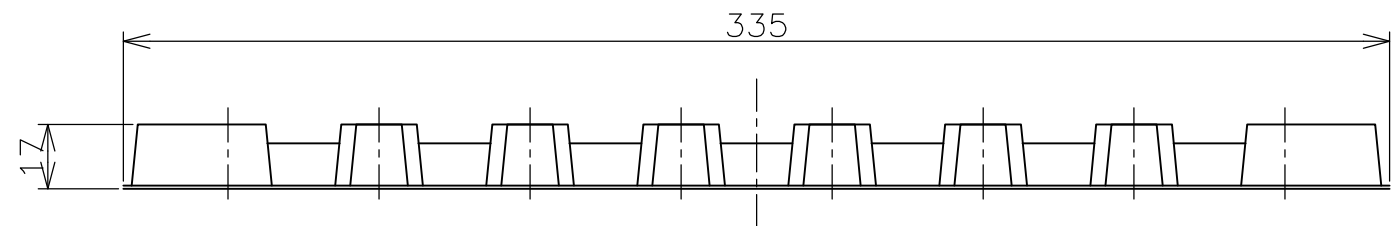
LOC	DIST	REVISIONS			
P	LTR	DESCRIPTION	DATE	DWN	APVD
J	/	-	SEE SHEET 1	-	-



- (APPLIED TO SHEET 5)
1. THE DIRECTION OF EACH CONNECTOR ON A TRAY IS REFERRED TO THIS DRAWING.
 2. GENERAL TOLERANCE: ± 0.5 , $\pm 3^\circ$



N-N
SCALE 1:1



M-M
SCALE 1:1
(180DEG. ROTATE)

200EA	20EA	*-2013298-*
QTY/BOX	QTY/TRAY	PART NO.

THIS DRAWING IS A CONTROLLED DOCUMENT.		DWN		TE Connectivity				
DIMENSIONS: MM		CHK				NAME		
TOLERANCES UNLESS OTHERWISE SPECIFIED: 0 PLC ± 0.5 1 PLC ± 0.5 2 PLC ± 0.5 3 PLC ± 0.5 4 PLC ± 0.5 ANGLES $\pm 3^\circ$		APVD				DDR3 SODIMM SOCKET 0.6mm PITCH 204POS 8.0mm HEIGHT REVERSE TYPE		
		PRODUCT SPEC				SIZE		
MATERIAL		FINISH		APPLICATION SPEC		CAGE CODE	DRAWING NO	RESTRICTED TO
				WEIGHT		A3	00779	C-2013298
CUSTOMER DRAWING				SCALE 1:2		SHEET 5 OF 6		REV D

4

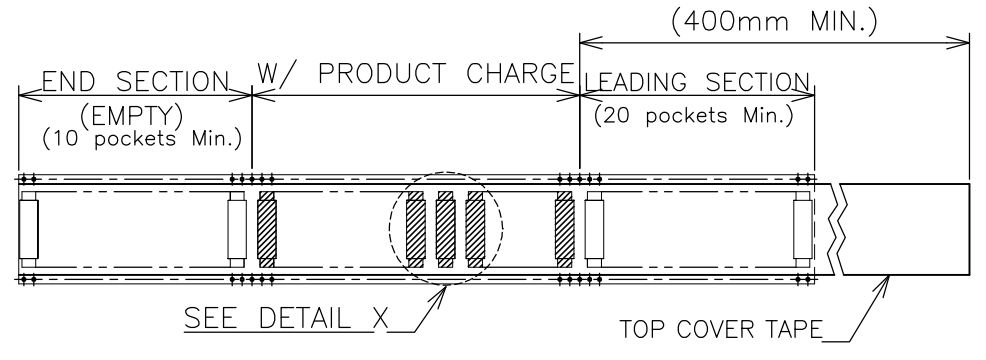
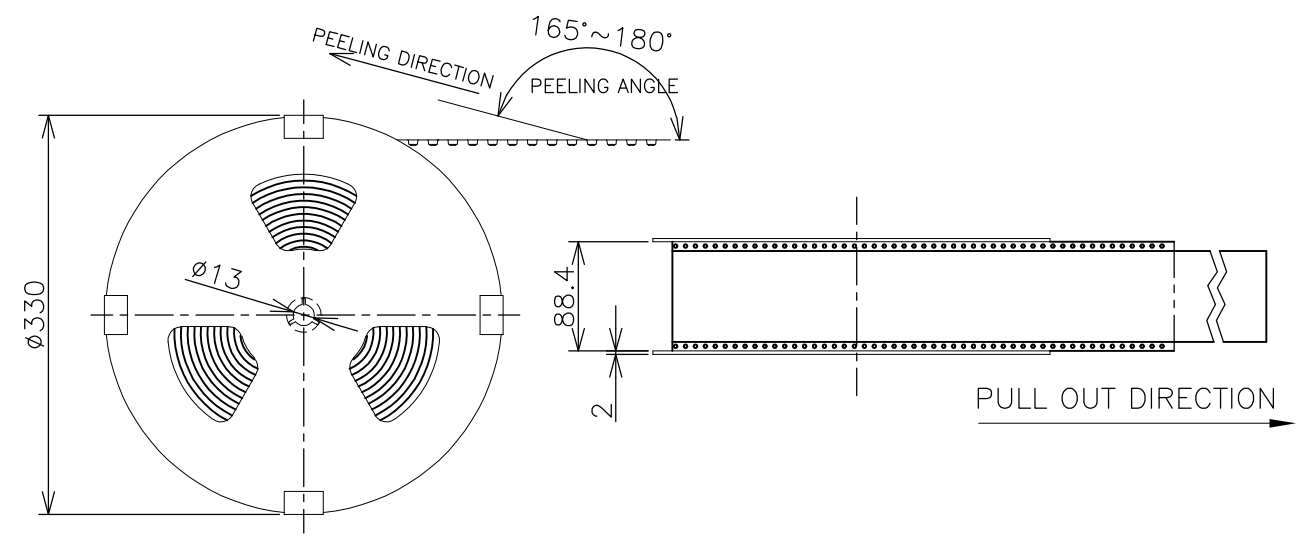
3

2

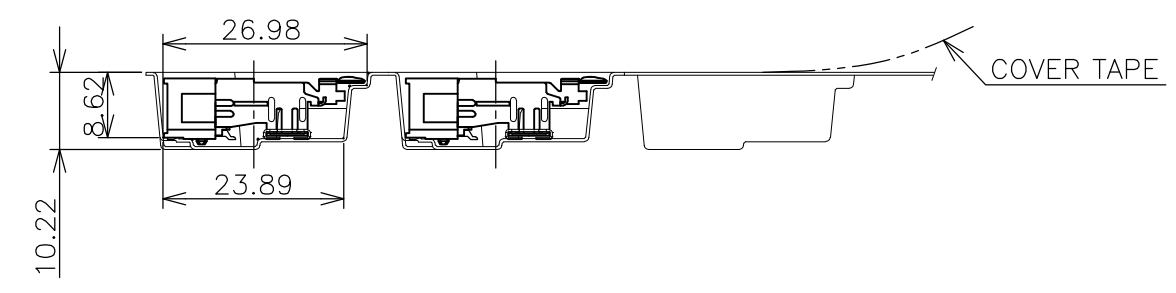
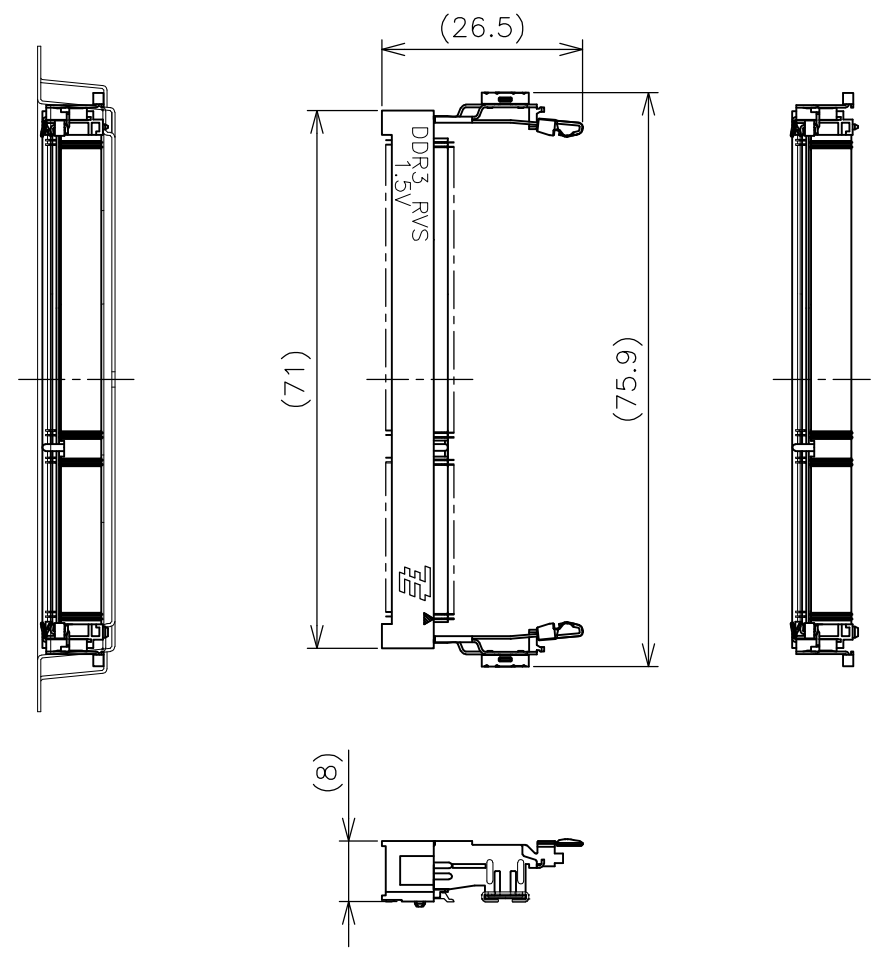
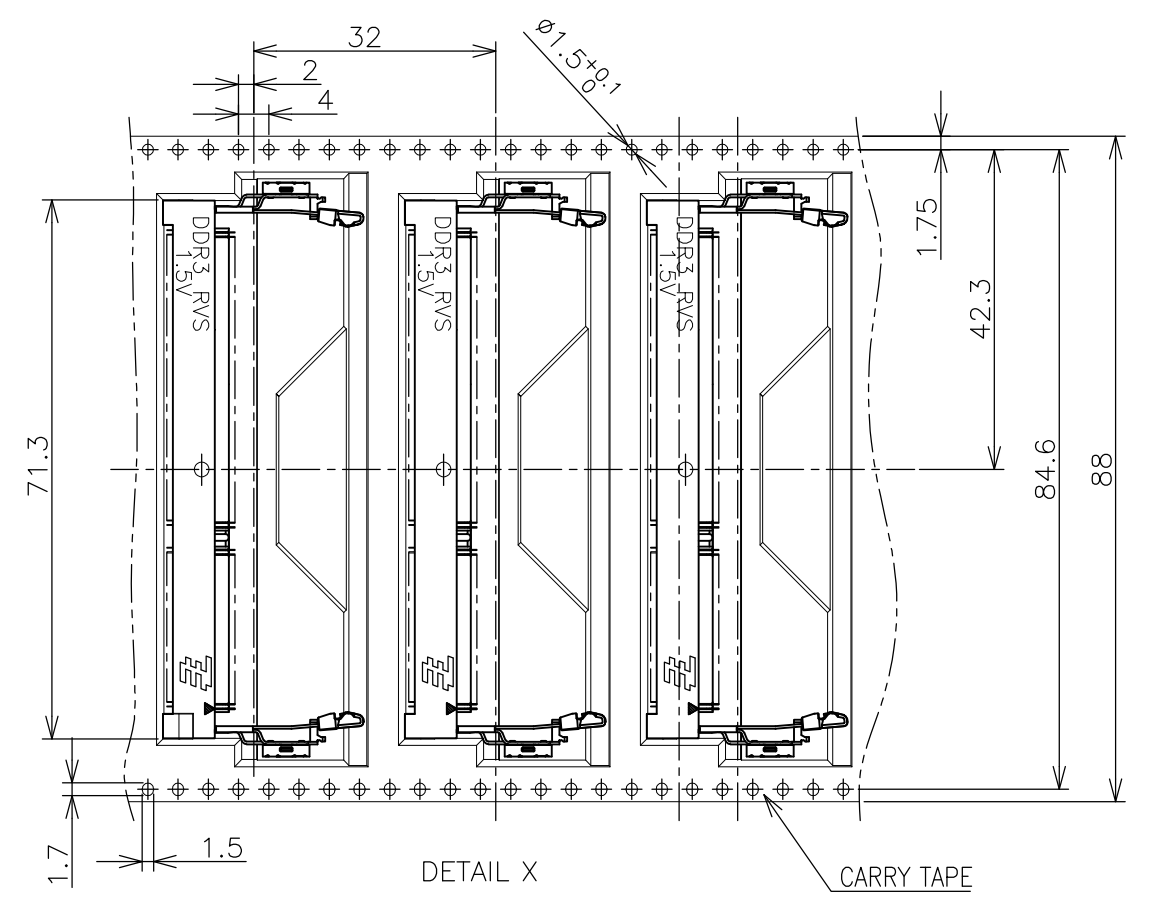
1

THIS DRAWING IS UNPUBLISHED. RELEASED FOR PUBLICATION SEP , 2007.
 © COPYRIGHT 2007 By - ALL RIGHTS RESERVED.

LOC	DIST	REVISIONS			
P	LTR	DESCRIPTION	DATE	DWN	APVD
J	/	SEE SHEET 1	-	-	-



- (APPLIED TO SHEET 6)
1. THE DIRECTION OF EACH CONNECTOR ON A EMBOSS IS REFERRED TO THIS DRAWING.
 2. GENERAL TOLERANCE: ± 0.5 , $\pm 3^\circ$



150EA	*-2013298-*
QTY/REEL	PART NO.

THIS DRAWING IS A CONTROLLED DOCUMENT.		DWN	TE Connectivity NAME DDR3 SODIMM SOCKET 0.6mm PITCH 204POS 8.0mm HEIGHT REVERSE TYPE				
DIMENSIONS: MM		CHK					
TOLERANCES UNLESS OTHERWISE SPECIFIED:		APVD					
0 PLC ± 0.5 1 PLC ± 0.5 2 PLC ± 0.5 3 PLC ± 0.5 4 PLC ± 0.5 ANGLES $\pm 3^\circ$		PRODUCT SPEC					
MATERIAL		FINISH	APPLICATION SPEC	SIZE	CAGE CODE	DRAWING NO	RESTRICTED TO
CUSTOMER DRAWING			WEIGHT	A3	00779	C-2013298	-
			SCALE	1:1	SHEET	6 OF 6	REV D