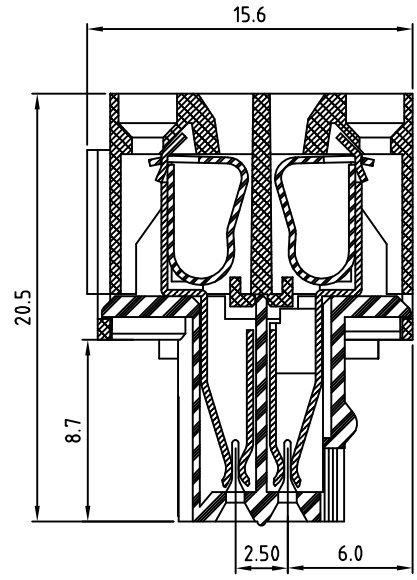
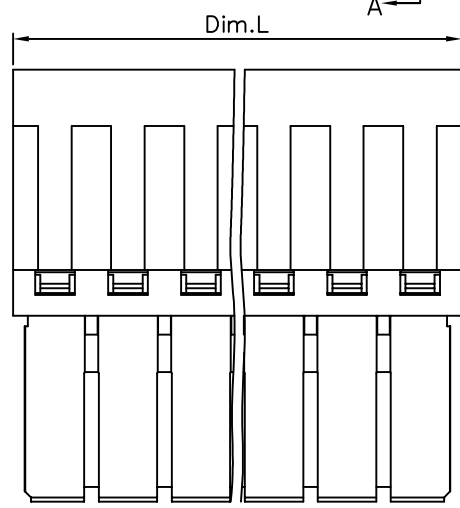
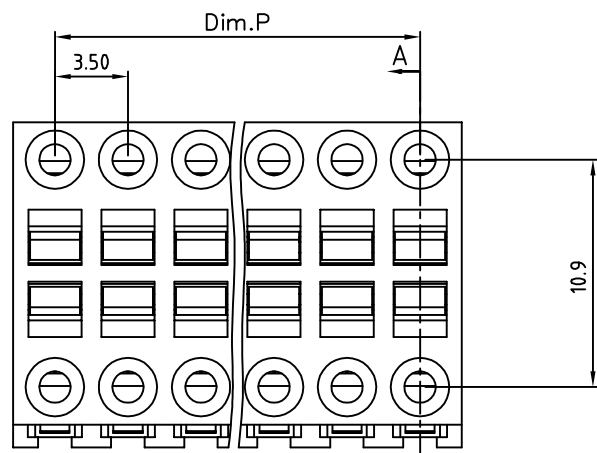


SIGN	DATE	DESCRIPTION	APPROVER
△	2011.04.06	Safety approval information added	PD
THIS IS CAD DRAWING, DO NOT REVISE MANUALLY!!!			



SECTION A-A

Material

- Terminal housing: Thermoplastic (UL94V-0)
- Spring clamp: Stainless steel
- Female contact: PhBz , Tin plated

Electrical

- Voltage rating: 150V
- Current rating: 7A
- Solid wire (AWG: 18-28
- Stranded wire (AWG: 18-28
- Wire strip length: 7-8mm
- Withstanding Voltage: 1.6KV
- Operating temperature: -40°C to +115°C
- △ ● Safety Approval: US

RoHS Compliant

PART NUMBER:

OSTVWXX1000

- | | | | |
|-----|------------|---|-------------------|
| 04 | 2x2 Poles | 0 | Black (STANDARD) |
| 06 | 3x2 Poles | 3 | Orange (STANDARD) |
| ... | ... | 5 | Green |
| 48 | 24x2 Poles | 6 | Blue |
| | | 8 | Grey |

N=Number of poles

$Dim.L = (N/2 - 1) * 3.5 + 4.0$
 $Dim.P = (N/2 - 1) * 3.5$

POLES	Dim. Tol	Dim.L	Dim.P
2x2p-2x6p		±0.15	±0.10
2x7p-2x12p		±0.25	±0.20
2x13p-2x18p		±0.30	±0.25
2x19p-2x24p		±0.40	±0.35

THESE DRAWINGS AND SPECIFICATIONS ARE THE PROPERTY OF ON-SHORE TECHNOLOGY, INC. AND SHALL NOT BE REPRODUCED, COPIED OR USED IN ANY MANNER WITHOUT THE PRIOR WRITTEN CONSENT OF ON-SHORE TECHNOLOGY, INC.

ON-SHORE TECHNOLOGY, INC.							
TITLE		OSTVW 3.5mm Series W/o flange					
PART NO.		OSTVWXX1000		DWG NO.		OSTVWXX1000.DWG	
APPROVED		CHECKED		DESIGNED		DRAWN	
				Kind 2009.12.23		Kind 2009.12.23	
						Tolerance	
				SHEET: 01/01		UNIT: mm	
				REV.: B		SCALE: NONE	
						X. ±0.50	
						X.X ±0.30	
						X.XX ±0.10	
						X* ±1°	