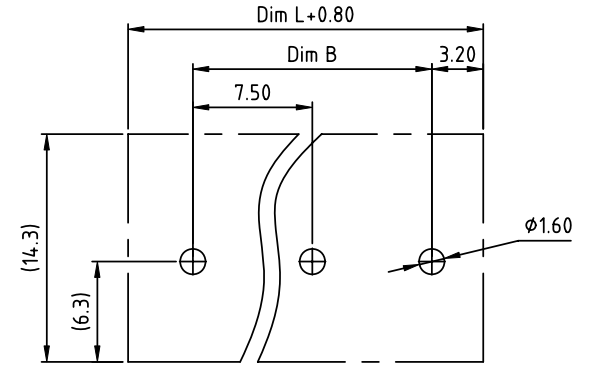
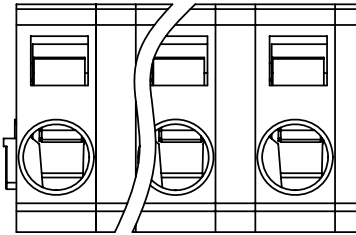
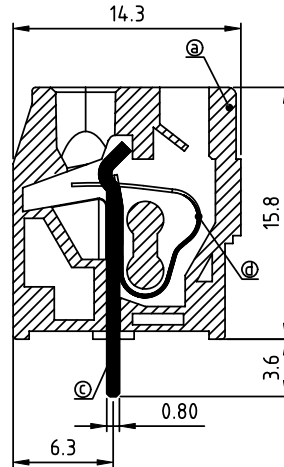
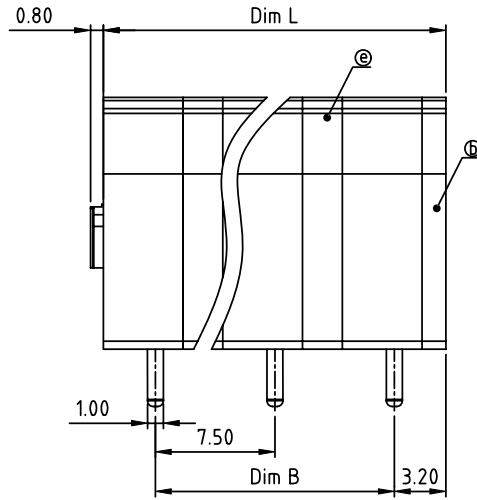


PRODUCT NUMBER	PITCH
HMxx90x000JOG	7.50mm



RECOMMENDED P.C.B LAYOUT
TOP VIEW



Material:

- Item@Insulator body:Thermoplastic (UL94V-0)
- Item@Insulating cover:Thermoplastic (UL94V-0)
- Item@Solder pin: Brass.Tin plated
- Item@Wire guard: Stainless steel
- Item@Pad board: Thermoplastic (UL94V-0)

Electrical:

- Voltage rating: 250V
- Current rating: 8A
- Wire range:
- Solid wire(AWG): 12-28
- Stranded wire(AWG): 12-28
- Wire strip length: 8-9mm
- Withstanding Voltage: 1.5KV
- Operating temperature: -40°C to +115°C
- Soldering temperature: 260°C±5°C/5 Sec
- Safety Approval:

N=Number of poles
Dim L=(N-1)×7.5+6.50
Dim B=(N-1)×7.5

Poles	Dim L	Dim B
2-4p	±0.20	±0.15
5-8p	±0.30	±0.25
9-12p	±0.40	±0.35
13-16p	±0.45	±0.40

PART NO.: HM xx 90 x 000JO G

No. of poles	Color	RoHS compliant
0	Black (RAL9005)	(lead<4%)
2	Red (RAL3001/D)	In copper Alloy
3	Orange(RAL2011/P)	
4	Yellow(RAL1018/A)	
5	Green(RAL6018/T)	
6	Blue (RAL5015/A)	
8	Grey(RAL7004/P)	
9	White(RAL1102)	
C	Multiple colors	

mat'l. code		surface ASME Y14.5	tolerance ASME Y14.5	projection	product family
ltr ecn no dr date		tolerances unless otherwise specified			TERMINAL BLOCK
		angles	X.±0.5	MM	title
		fil	X.X±0.3		TERMINAL BLOCK
		X*±1°	X.XX±0.1	scale	SPRING CLAMP,90D WIRE INLET,DIP SOLDER
		dr	EVIN ZHONG 052914		dwg no
		enr	EVIN ZHONG 052914		sheet 1 of 1
		chr	HANKE FENG 052914		size
		appd	SHI JUN 052914		A4
sheet index	revision sheet	A	1		type CUSTOMER Drawing