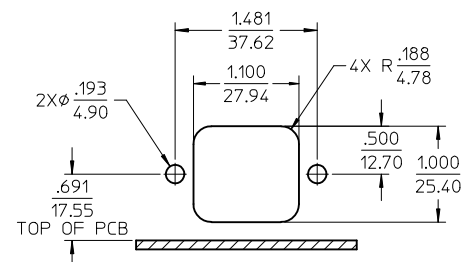
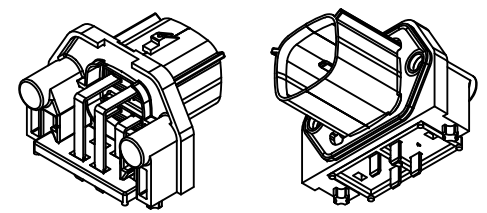


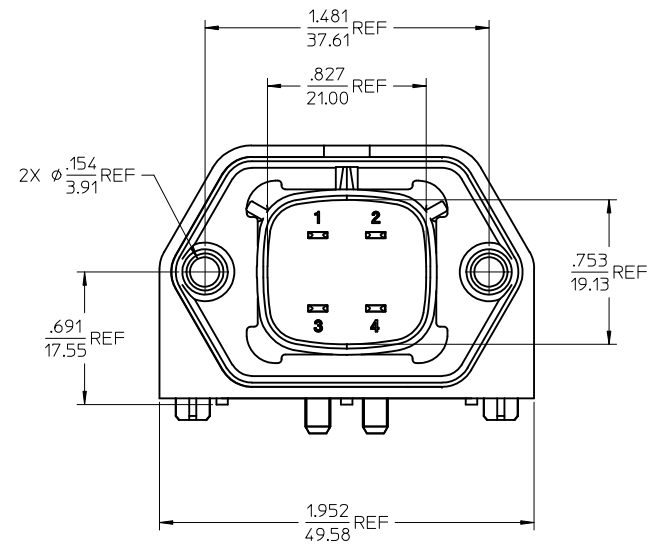
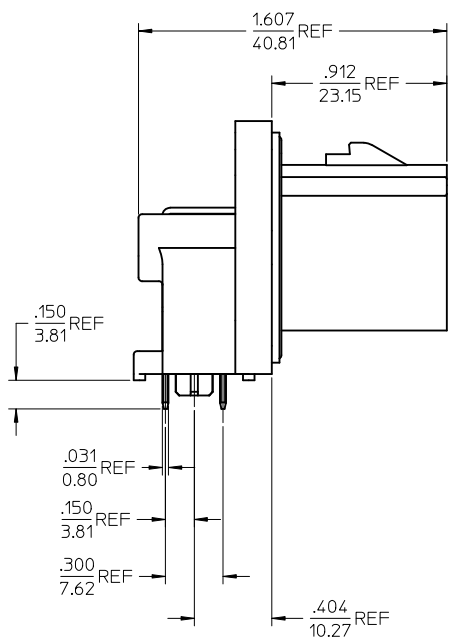
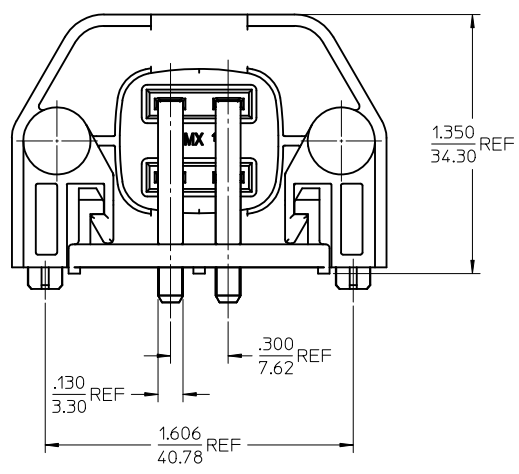
RECOMMENDED PCB LAYOUT
COMPONENT SIDE
TOLERANCES ARE NON-CUMULATIVE



RECOMMENDED PANEL MOUNT OPENING
MAX. PANEL THK .093/2.362



ASSEMBLED VIEW
SCALE 1:1



NOTES:

- MATERIALS:
HOUSING: POLYESTER (PBT), GLASS FILLED, UL94 V-0, COLOR: BLACK
TERMINALS: COPPER ALLOY
- TERMINAL FINISH: 100µM TIN OVER 50µM NICKEL
- PRODUCT SPECIFICATION: PS-19432-001
- PACKAGING SPECIFICATION: PK-19437-001
- MATES WITH: 19432 SERIES RECEPTACLE ASSEMBLIES.
- RECOMMENDED MOUNTING HARDWARE: (2)#10 X .62/15.7 LONG PLASTIC THREAD CUTTING SCREWS. RECOMMENDED TORQUE 15-17 IN-LBS.
SUGGESTED SOURCE: ITW SHAKEPROOF INDUSTRIAL BOSSCREW OR EQUIVALENT.
- ALL MATERIALS ARE ROHS COMPLIANT.

REVISE MATERIAL NO. EC NO: WNA2010-0364 DRW:WHL/LEUNG 2009/12/08 CHK:DA01/TUS 2009/10/16 APPR:DTI/TUS 2010/05/10	DESCRIPTION	QUALITY SYMBOLS ▽=0 ▽=0	GENERAL TOLERANCES (UNLESS SPECIFIED)		DIMENSION STYLE	SCALE	DESIGN UNITS	THIRD ANGLE PROJECTION	
			mm	INCH	IN/MM	1:1	INCH		
2	DESCRIPTION		4 PLACES ± .010	± .010	DRAWN BY	DATE	TITLE	MX150L RA HDR ASSY 4 WAY, 12-10-8AWG WITH PANEL GASKET	
			3 PLACES ± .010	± .010	CHECKED BY	DATE			
2	DESCRIPTION		2 PLACES ± 0.26	± .02	APPROVED BY	DATE	MOLEX INCORPORATED	SD-19437-020	
			1 PLACE ± 0.5	± .02	DTI/TUS	2009/10/27			
			ANGULAR ± 3 °		MATERIAL NO.	DOCUMENT NO.	SHEET NO.		
			DRAFT WHERE APPLICABLE MUST REMAIN WITHIN DIMENSIONS		194370029	SD-19437-020	1 OF 1		
					THIS DRAWING CONTAINS INFORMATION THAT IS PROPRIETARY TO MOLEX INCORPORATED AND SHOULD NOT BE USED WITHOUT WRITTEN PERMISSION				