

Features

- Utilizes the ARM7TDMI™ ARM Thumb Processor Core
 - High-performance 32-bit RISC Architecture
 - High-density 16-bit Instruction Set
 - Leader in MIPS/Watt
 - Embedded ICE (In-Circuit Emulation)
- 8K Bytes Internal RAM
- Fully Programmable External Bus Interface (EBI)
 - Maximum External Address Space of 64M Bytes
 - Up to 8 Chip Selects
 - Software Programmable 8/16-bit External Data Bus
- 8-channel Peripheral Data Controller
- 8-level Priority, Individually Maskable, Vectored Interrupt Controller
 - 5 External Interrupts, Including a High-priority, Low-latency Interrupt Request
- 54 Programmable I/O Lines
- 6-channel 16-bit Timer/Counter
 - 6 External Clock Inputs
 - 2 Multi-purpose I/O Pins per Channel
- 2 USARTs
 - 2 Dedicated Peripheral Data Controller (PDC) Channels per USART
 - Support for up to 9-bit Data Transfers
- 2 Master/Slave SPI Interfaces
 - 2 Dedicated Peripheral Data Controller (PDC) Channels per SPI
 - 8- to 16-bit Programmable Data Length
 - 4 External Slave Chip Selects per SPI
- 3 System Timers:
 - Period Interval Timer (PIT); Real-time Timer (RTT); Watchdog Timer (WDT)
- Power Management Controller (PMC)
 - CPU and Peripherals Can be Deactivated Individually
- Clock Generator with 32.768 kHz Low-power Oscillator and PLL
 - Support for 31.25 kHz and 38.4 kHz Crystals
 - Software Programmable System Clock (up to 33 MHz)
- IEEE 1149.1 JTAG Boundary Scan on All Active Pins
- Fully Static Operation: 0 Hz to 33 MHz (17 MHz at 1.8V)
- 1.8V to 3.6V Core Operating Voltage Range; 2.7V to 5.5V I/O Operating Voltage Range
- -40°C to +85°C Operating Temperature Range
- Available in a 144-lead TQFP Package and in 144-ball BGA Package

Description

The AT91M42800 Microcontroller is a member of the Atmel AT91 16/32-bit Microcontroller family, which is based on the ARM7TDMI processor core. This processor has a high-performance 32-bit RISC architecture with a high-density 16-bit instruction set and very low power consumption. In addition, a large number of internally banked registers result in very fast exception handling, making the device ideal for real-time control applications. The AT91 ARM-based MCU family also features Atmel's high-density, in-system programmable, nonvolatile memory technology. The AT91M42800 has a direct connection to off-chip memory, including Flash, through the External Bus Interface.

The Power Management Controller allows the user to adjust the device activity according to system requirements, and, with the 32.768 kHz low-power oscillator, enables the AT91M42800 to reduce power requirements to an absolute minimum.

The AT91M42800 is manufactured using Atmel's high-density CMOS technology. By combining the ARM7TDMI processor core with on-chip SRAM and a wide range of peripheral functions including timers, serial communication controllers and a versatile clock generator on a monolithic chip, the AT91M42800 provides a highly flexible and cost-effective solution to many compute-intensive applications.



AT91 ARM® Thumb® Microcontrollers

AT91M42800 Summary



Pin Configuration

Figure 1. Pin Configuration in TQFP144 Package (Top View)

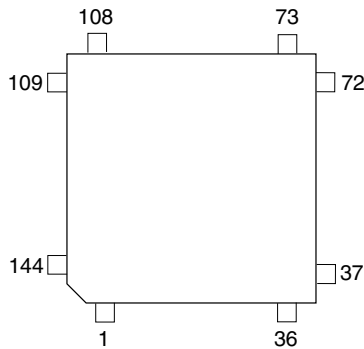


Figure 2. Pin Configuration in BGA144 Package (Top View)

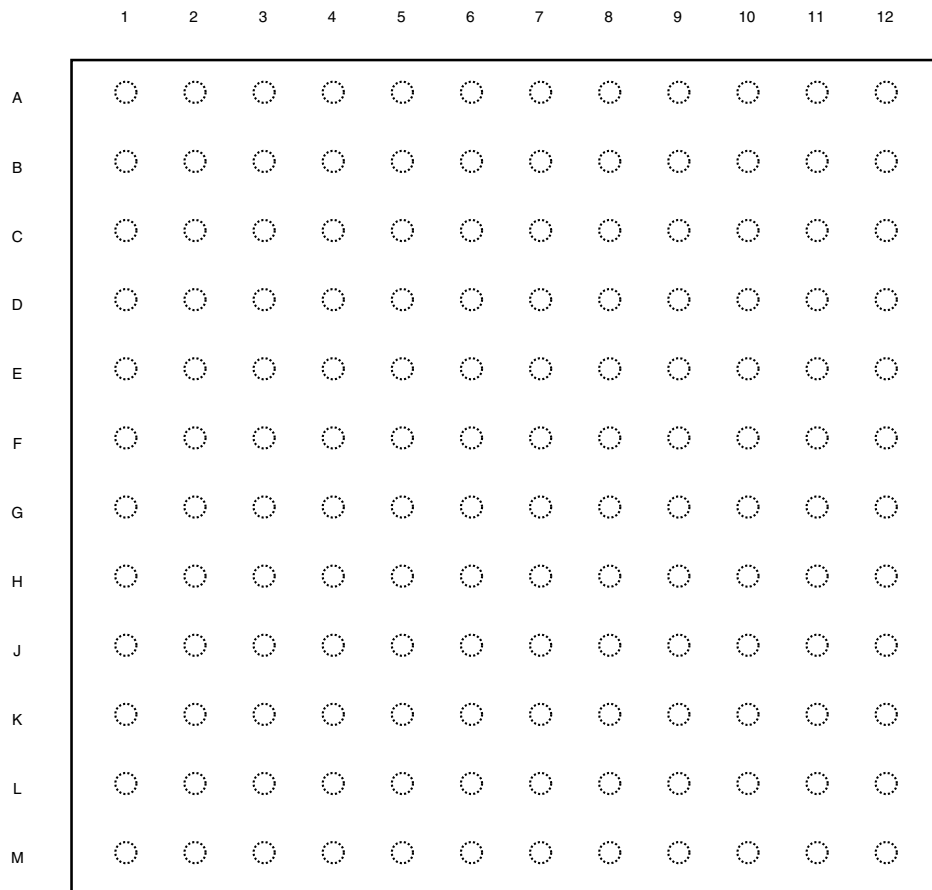


Table 1. AT91M42800 Pinout in TQFP 144 Package

Pin	AT91M42800
1	GND
2	GND
3	NLB/A0
4	A1
5	A2
6	A3
7	A4
8	A5
9	A6
10	A7
11	A8
12	VDDIO
13	GND
14	A9
15	A10
16	A11
17	A12
18	A13
19	A14
20	A15
21	A16
22	A17
23	A18
24	VDDIO
25	GND
26	A19
27	PB2/A20/CS7
28	PB3/A21/CS6
29	PB4/A22/CS5
30	PB5/A23/CS4
31	D0
32	D1
33	D2
34	D3
35	VDDCORE
36	VDDIO

Pin	AT91M42800
37	GND
38	GND
39	D4
40	D5
41	D6
42	D7
43	D8
44	D9
45	D10
46	D11
47	D12
48	VDDIO
49	GND
50	D13
51	D14
52	D15
53	PB6/TCLK0
54	PB7/TIOA0
55	PB8/TIOB0
56	PB9/TCLK1
57	PB10/TIOA1
58	PB11/TIOB1
59	PB12/TCLK2
60	VDDIO
61	GND
62	PB13/TIOA2
63	PB14/TIOB2
64	PB15/TCLK3
65	PB16/TIOA3
66	PB17/TIOB3
67	PB18/TCLK4
68	PB19/TIOA4
69	PB20/TIOB4
70	PB21/TCLK5
71	VDDCORE
72	VDDIO

Pin	AT91M42800
73	GND
74	GND
75	PB22/TIOA5
76	PB23/TIOB5
77	PA0/IRQ0
78	PA1/IRQ1
79	PA2/IRQ2
80	PA3/IRQ3
81	PA4/FIQ
82	PA5/SCK0
83	PA6/TXD0
84	VDDIO
85	GND
86	PA7/RXD0
87	PA8/SCK1
88	PA9/TXD1/NTRI
89	PA10/RXD1
90	PA11/SPCKA
91	PA12/MISOA
92	PA13/MOSIA
93	PA14/NPCSA0/NSSA
94	PA15/NPCSA1
95	PA16/NPCSA2
96	VDDIO
97	GND
98	PA17/NPCSA3
99	PA18/SPCKB
100	PA19/MISOB
101	PA20/MOSIB
102	PA21/NPCSB0/NSSB
103	PA22/NPCSB1
104	PA23/NPCSB2
105	PA24/NPCSB3
106	PA25/MCKO
107	VDDCORE
108	VDDIO

Pin	AT91M42800
109	GND
110	GND
111	PA26
112	GNDPLL
113	XIN
114	XOUT
115	GND
116	PLLRC
117	VDDPLL
118	PLLRCB
119	VDDPLL
120	VDDIO
121	GND
122	NWDOVF
123	PA27/BMS
124	JTAGSEL
125	TMS
126	TDI
127	TDO
128	TCK
129	NTRST
130	NRST
131	PA28/HOLDA
132	VDDIO
133	GND
134	PA29/HOLD
135	NWAIT
136	NOE/NRD
137	NWE/NWR0
138	NUB/NWR1
139	NCS0
140	NCS1
141	PB0/NCS2
142	PB1/NCS3
143	VDDCORE
144	VDDIO

Table 2. AT91M42800 Pinout in BGA 144 Package

Pin	AT91M42800
A1	PB1/NCS3
A2	NCS0
A3	NCS1
A4	GND
A5	PLLRCB
A6	GND
A7	PLLRCA
A8	GNDPLL
A9	XOUT
A10	XIN
A11	GND
A12	PA22/NPCSB1
B1	NUB/NWR1
B2	PB0/NCS2
B3	VDDCORE
B4	NWE/NWR0
B5	VDDPLL
B6	TDO
B7	VDDPLL
B8	NWDOVF
B9	PA26
B10	PA19/MISOB
B11	PA24/NPCSB3
B12	PA23/NPCSB2
C1	NLB/A0
C2	A1
C3	VDDIO
C4	NOE/NRD
C5	VDDIO
C6	NRST
C7	TDI
C8	VDDIO
C9	PA27/BMS
C10	VDDIO
C11	VDDCORE
C12	PA20/MOSIB

Pin	AT91M42800
D1	A2
D2	A3
D3	A4
D4	NWAIT
D5	PA29/HOLD
D6	PA28/HOLDA
D7	TCK
D8	TMS
D9	JTAGSEL
D10	PA25/MCKO
D11	PA21/NPCSB0
D12	PA18/SPCKB
E1	A7
E2	VDDIO
E3	A6
E4	A5
E5	GND
E6	GND
E7	GND
E8	NTRST
E9	PA13/MOSIA
E10	PA16/NPCSA2
E11	VDDIO
E12	PA17/NPCSA3
F1	A8
F2	A12
F3	A9
F4	A10
F5	GND
F6	GND
F7	GND
F8	GND
F9	PA12/MISOA
F10	PA15/NPCSA1
F11	PA11/SPCKA
F12	PA14/NPCSA0

Pin	AT91M42800
G1	A17
G2	A16
G3	A11
G4	A13
G5	GND
G6	GND
G7	GND
G8	GND
G9	PA9/TXD1/NTRI
G10	PA10/RXD1
G11	PA8/SCK1
G12	PA7/RXD0
H1	A18
H2	VDDIO
H3	A15
H4	A14
H5	A19
H6	GND
H7	GND
H8	GND
H9	PA6/TXD0
H10	PA4/FIQ
H11	VDDIO
H12	PA5/SCK0
J1	PB5/A23/CS4
J2	D0
J3	PB4/A22/CS5
J4	PB3/A21/CS6
J5	PB2/A20/CS7
J6	D15
J7	PB6/TCLK0
J8	PB10/TIOA1
J9	PA3/IRQ3
J10	PA2/IRQ2
J11	PA0/IRQ0
J12	PA1/IRQ1

Pin	AT91M42800
K1	D1
K2	VDDCORE
K3	VDDIO
K4	D9
K5	D10
K6	D14
K7	PB9/TCLK1
K8	PB13/TIOA2
K9	PB11/TIOB1
K10	VDDIO
K11	PB16/TIOA3
K12	PB23/TIOB5
L1	D3
L2	D2
L3	D5
L4	D8
L5	VDDIO
L6	D13
L7	PB8/TIOB0
L8	VDDIO
L9	PB17/TIOB3
L10	VDDCORE
L11	PB20/TIOB4
L12	PB22/TIOA5
M1	D4
M2	D6
M3	D7
M4	D11
M5	D12
M6	PB7/TIOA0
M7	PB12/TCLK2
M8	PB15/TCLK3
M9	PB14/TIOB2
M10	PB18/TCLK4
M11	PB19/TIOA4
M12	PB21/TCLK5

Pin Description

Table 3. AT91M42800 Pin Description

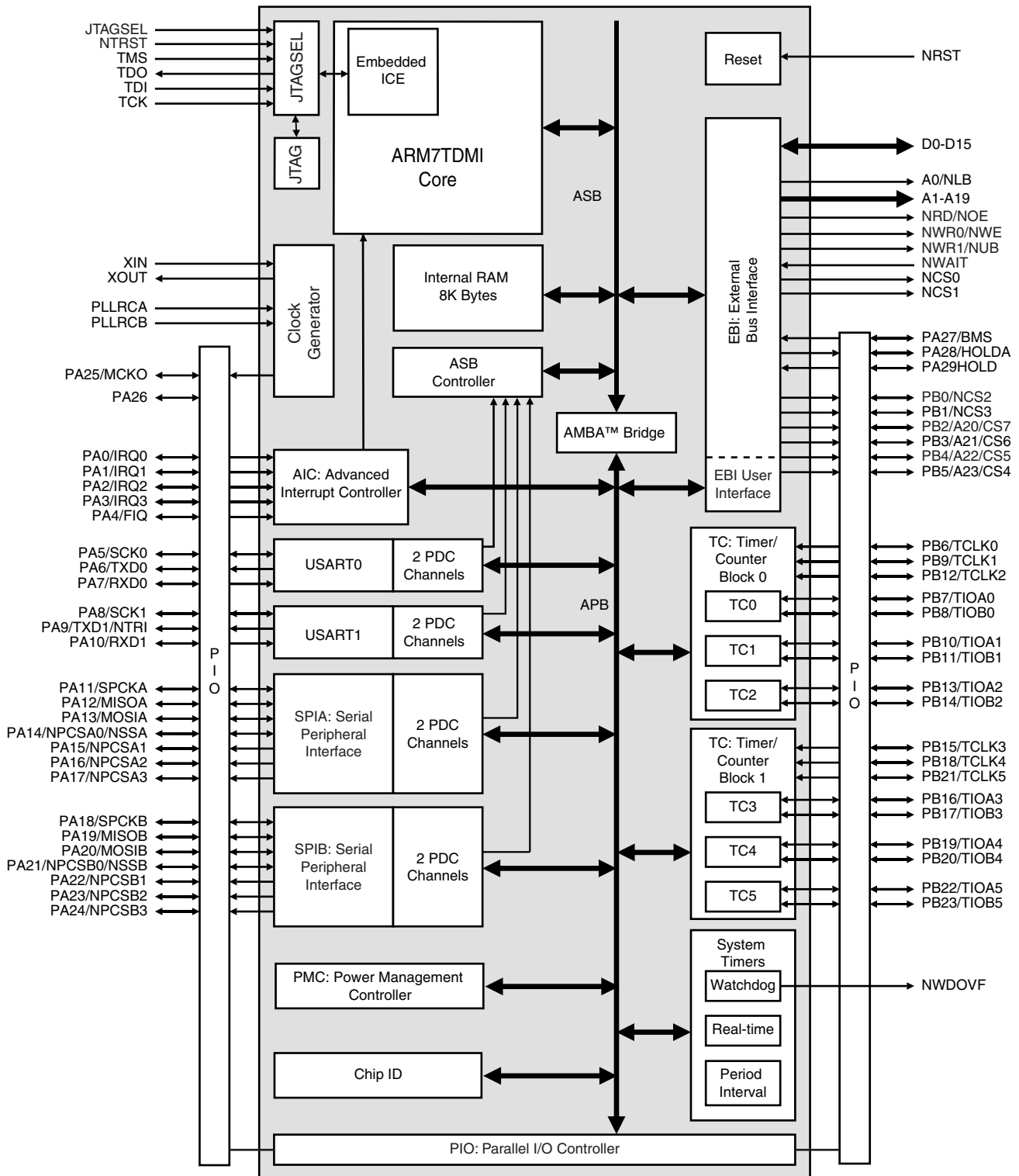
Module	Name	Function	Type	Active Level	Comments
EBI	A0 - A23	Address Bus	Output	–	All valid after reset
	D0 - D15	Data Bus	I/O	–	
	CS4 - CS7	Chip Select	Output	High	A23 - A20 after reset
	NCS0 - NCS3	Chip Select	Output	Low	
	NWR0	Lower Byte 0 Write Signal	Output	Low	Used in Byte Write option
	NWR1	Lower Byte 1 Write Signal	Output	Low	Used in Byte Write option
	NRD	Read Signal	Output	Low	Used in Byte Write option
	NWE	Write Enable	Output	Low	Used in Byte Select option
	NOE	Output Enable	Output	Low	Used in Byte Select option
	NUB	Upper Byte Select (16-bit SRAM)	Output	Low	Used in Byte Select option
	NLB	Lower Byte Select (16-bit SRAM)	Output	Low	Used in Byte Select option
	NWAIT	Wait Input	Input	Low	
	HOLD	Bus Request from External Device	Input	High	PIO-controlled after reset
	HOLDA	Bus Grant to External Device	Output	High	PIO-controlled after reset
	BMS	Boot Mode Select	Input	–	Sampled during reset
AIC	IRQ0 - IRQ3	External Interrupt Request	Input	–	PIO-controlled after reset
	FIQ	Fast External Interrupt Request	Input	–	PIO-controlled after reset
TC	TCLK0 - TCLK5	Timer External Clock	Input	–	PIO-controlled after reset
	TIOA0 - TIOA5	Multi-purpose Timer I/O Pin A	I/O	–	PIO-controlled after reset
	TIOB0 - TIOB5	Multi-purpose Timer I/O Pin B	I/O	–	PIO-controlled after reset
USART	SCK0 - SCK1	External Serial Clock	I/O	–	PIO-controlled after reset
	TXD0 - TXD1	Transmit Data Output	Output	–	PIO-controlled after reset
	RXD0 - RXD1	Receive Data Input	Input	–	PIO-controlled after reset
SPIA SPIB	SPCKA/SPCKB	Clock	I/O	–	PIO-controlled after reset
	MISOA/MISOB	Master In Slave Out	I/O	–	PIO-controlled after reset
	MOSIA/MOSIB	Master Out Slave In	I/O	–	PIO-controlled after reset
	NSSA/NSSB	Slave Select	Input	Low	PIO-controlled after reset
	NPCSA0 - NPCSA3 NPCSB0 - NPCSB3	Peripheral Chip Selects	Output	Low	PIO-controlled after reset
PIO	PA0 - PA29	Programmable I/O Port A	I/O	–	Input after reset
	PB0 - PB23	Programmable I/O Port B	I/O	–	Input after reset
ST	NWDOVF	Watchdog Timer Overflow	Output	Low	Open drain
CLOCK	XIN	Oscillator Input	Input	–	
	XOUT	Oscillator Output	Output	–	
	PLLRC A	RC Filter for PLL A	Input	–	
	PLLRC B	RC Filter for PLL B	Input	–	
	MCKO	Clock Output	Output	–	
Reset	NRST	Hardware Reset Input	Input	Low	Schmitt trigger

Table 3. AT91M42800 Pin Description (Continued)

Module	Name	Function	Type	Active Level	Comments
JTAG/ICE	JTAGSEL	JTAG/ ICE selection	Input		High enables IEEE 1149.1 JTAG boundary scan Low enables ARM Standard ICE debug Schmitt trigger
	TMS	Test Mode Select	Input	–	Schmitt trigger, internal pull-up
	TDI	Test Data In	Input	–	Schmitt trigger, internal pull-up
	TDO	Test Data Out	Output	–	
	TCK	Test Clock	Input	–	Schmitt trigger, internal pull-up
	NTRST	Test Reset Input	Input	Low	Schmitt trigger, internal pull-up
Emulation	NTRI	Tri-state Mode Enable	Input	Low	Sampled during reset
Power	VDDIO	I/O Power	Power	–	3V or 5V nominal supply
	VDDCORE	Core Power	Power	–	2V or 3V nominal supply
	VDDPLL	PLL Power	Power	–	3V nominal supply
	GND	Ground	Ground	–	

Block Diagram

Figure 3. AT91M42800



Architectural Overview

The AT91M42800 Microcontroller integrates an ARM7TDMI with its embedded ICE interface, memories and peripherals. Its architecture consists of two main buses, the Advanced System Bus (ASB) and the Advanced Peripheral Bus (APB). Designed for maximum performance and controlled by the memory controller, the ASB interfaces the ARM7TDMI processor with the on-chip 32-bit memories, the External Bus Interface (EBI) and the AMBA™ Bridge. The AMBA Bridge drives the APB, which is designed for accesses to on-chip peripherals and optimized for low power consumption.

The AT91M42800 Microcontroller implements the ICE port of the ARM7TDMI processor on dedicated pins, offering a complete, low-cost and easy-to-use debug solution for target debugging.

Memories

The AT91M42800 Microcontroller embeds up to 8K bytes of internal SRAM. The internal memory is directly connected to the 32-bit data bus and is single-cycle accessible. This provides maximum performance of 30 MIPS at 33 MHz by using the ARM instruction set of the processor. The on-chip memory significantly reduces the system power consumption and improves its performance over external memory solutions.

The AT91M42800 Microcontroller features an External Bus Interface (EBI), which enables connection of external memories and application-specific peripherals. The EBI supports 8- or 16-bit devices and can use two 8-bit devices to emulate a single 16-bit device. The EBI implements the early read protocol, enabling faster memory accesses than standard memory interfaces.

Peripherals

The AT91M42800 Microcontroller integrates several peripherals, which are classified as system or user peripherals. All on-chip peripherals are 32-bit accessible by the AMBA Bridge, and can be programmed with a minimum number of instructions. The peripheral register set is composed of control, mode, data, status and enable/disable/status registers.

An on-chip Peripheral Data Controller (PDC) transfers data between the on-chip USARTs/SPIs and the on- and off-chip memories without processor intervention. Most importantly, the PDC removes the processor interrupt handling overhead and significantly reduces the number of clock cycles required for a data transfer. It can transfer up to 64K continuous bytes without reprogramming the start address. As a result, the performance of the microcontroller is increased and the power consumption reduced.

System Peripherals

The External Bus Interface (EBI) controls the external memory and peripheral devices via an 8- or 16-bit data bus and is programmed through the APB. Each chip select line has its own programming register.

The Power Management Controller (PMC) optimizes power consumption of the product by controlling the clocking elements such as the oscillators and the PLL, system and user peripheral clocks.

The Advanced Interrupt Controller (AIC) controls the internal sources from the internal peripherals and the five external interrupt lines (including the FIQ) to provide an interrupt and/or fast interrupt request to the ARM7TDMI. It integrates an 8-level priority controller, and, using the Auto-vectoring feature, reduces the interrupt latency time.

The Parallel Input/Output Controllers (PIOA, PIOB) controls up to 54 I/O lines. It enables the user to select specific pins for on-chip peripheral input/output functions, and general-purpose input/output signal pins. The PIO controllers can be programmed to detect an interrupt on a signal change from each line.

There are three embedded system timers. The Real-time Timer (RTT) counts elapsed seconds and can generate periodic or programmed interrupts. The Period Interval Timer (PIT) can be used as a user-programmable time-base, and can generate periodic ticks. The Watchdog (WD) can be used to prevent system lock-up if the software becomes trapped in a deadlock.

The Special Function (SF) module integrates the Chip ID and the Reset Status registers.

User Peripherals

Two USARTs, independently configurable, enable communication at a high baud rate in synchronous or asynchronous mode. The format includes start, stop and parity bits and up to 9 data bits. Each USART also features a Time-out and a Time-guard register, facilitating the use of the two dedicated Peripheral Data Controller (PDC) channels.

The two 3-channel, 16-bit Timer/Counters (TC) are highly-programmable and support capture or waveform modes. Each TC channel can be programmed to measure or generate different kinds of waves, and can detect and control two input/output signals. Each TC also has three external clock signals.

Two independently configurable SPIs provide communication with external devices in master or slave mode. Each has four external chip selects which can be connected to up to 15 devices. The data length is programmable, from 8- to 16-bit.

Supervisor Mode Protection

The following system peripherals are protected against unintentional accesses by the Supervisor Operating Mode.

- External Bus Interface (EBI)
- Power Management Controller (PMC)
- System Timers (ST)
- Special Function (SF)



Associated Documentation

Information	Document Title
Internal architecture of processor ARM/Thumb instruction sets Embedded in-circuit emulator	ARM7TDMI (Thumb) Datasheet
Mapping Peripheral operation Peripheral user interface	AT91M42800 Datasheet
Timings DC characteristics	AT91M42800 Electrical Characteristics Datasheet

Product Overview

Power Supply

The AT91M42800 has three kinds of power supply pins:

- VDDCORE pins, which power the chip core
- VDDIO pins, which power the I/O lines
- VDDPLL pins, which power the oscillator and PLL cells

VDDCORE and VDDIO allow core power consumption to be reduced by supplying it with a lower voltage than the I/O lines. The VDDCORE pins must never be powered at a voltage greater than the supply voltage applied to the VDDIO.

The VDDPLL pin is used to supply the oscillator and both PLLs. The voltage applied on these pins is typically 3.3V, and it must not be lower than VDDCORE.

Typical supported voltage combinations are shown in the following table:

Pins	Nominal Supply Voltages		
	3.3V	3.0V or 3.3V	2.0V
VDDCORE	3.3V	3.0V or 3.3V	2.0V
VDDIO	5.0V	3.0V or 3.3V	3.3V
VDDPLL	3.3V	3.0V or 3.3V	3.3V
Max Freq	33 MHz	33 MHz	17 MHz

Input/Output Considerations

After the reset, the peripheral I/Os are initialized as inputs to provide the user with maximum flexibility. It is recommended that in any application phase, the inputs to the AT91M42800 Microcontroller be held at valid logic levels to minimize the power consumption.

Clock Generator

The AT91M42800 Microcontroller embeds a 32.768 kHz oscillator that generates the Slow Clock (SLCK).

The AT91M42800 Microcontroller has a fully static design and works either on the Master Clock (MCK), generated from the Slow Clock by means of the two integrated PLLs, or on the Slow Clock (SLCK).

These clocks are also provided as an output of the device on the pin MCKO, which is multiplexed with a general-purpose I/O line. While NRST is active, and after the reset, the MCKO is valid and outputs an image of the SLCK signal. The PIO Controller must be programmed to use this pin as standard I/O line.

Reset

Reset initializes the user interface registers to their default states as defined in the peripheral sections of this datasheet and forces the ARM7TDMI to perform the next instruction fetch from address zero. Except for the program counter the ARM core registers do not have defined reset states. When reset is active, the inputs of the AT91M42800 must be held at valid logic levels. The EBI address lines drive low during reset. All the peripheral clocks are disabled during reset to save power.

NRST Pin

NRST is the active low reset input. It is asserted asynchronously, but exit from reset is synchronized internally to the slow clock (SLCK). At power-up, NRST must be active until the on-chip oscillator is stable. During normal operation, NRST must be active for a minimum of 10 oscillator clock cycles to ensure correct initialization.

The pins BMS and NTRI are sampled during the 10 clock cycles just prior to the rising edge of NRST.

The NRST pin has no effect on the on-chip Embedded ICE logic.

Watchdog Reset

The internally generated watchdog reset has the same effect as the NRST pin, except that the pins BMS and NTRI are not sampled. Boot mode and Tri-state Mode are not updated. The NRST pin has priority if both types of reset coincide.

Emulation Functions

Tri-state Mode

The AT91M42800 provides a Tri-state Mode, which is used for debug purposes in order to connect an emulator probe to an application board. In Tri-state Mode the AT91M42800 continues to function, but all the output pin drivers are tri-stated.

To enter Tri-state Mode, the pin NTRI must be held low during the last 10 clock cycles before the rising edge of NRST. For normal operation, the pin NTRI must be held high during reset, by a resistor of up to 400K Ohm. NTRI must be driven to a valid logic value during reset.

NTRI is multiplexed with Parallel I/O PA9 and USART 1 serial data transmit line TXD1.

Standard RS232 drivers generally contain internal 400K Ohm pull-up resistors. If TXD1 is connected to one of these drivers this pull-up will ensure normal operation, without the need for an additional external resistor.

Embedded ICE

ARM standard embedded In-circuit Emulation is supported via the JTAG/ICE port. It is connected to a host computer via an Embedded ICE Interface.

Embedded ICE mode is selected when JTAGSEL is low.

It is not possible to switch directly between ICE and JTAG operations. A chip reset must be performed (NRST and NTRST) after JTAGSEL is changed. The reset input to the Embedded ICE (NTRST) is provided separately to facilitate debug of boot programs.

IEEE 1149.1 JTAG Boundary Scan

IEEE 1149.1 JTAG Boundary Scan is enabled when JTAGSEL is high. The functions SAMPLE, EXTEST and BYPASS are implemented.

In ICE Debug mode the ARM core responds with a non-JTAG chip ID that identifies the core to the ICE system. This is not IEEE 1149.1 JTAG compliant.

It is not possible to switch directly between JTAG and ICE operations. A chip reset must be performed (NRST and NTRST) after JTAGSEL is changed.

Memory Controller

The ARM7TDMI processor address space is 4G bytes. The memory controller decodes the internal 32-bit address bus and defines three address spaces:

- Internal Memories in the four lowest megabytes
- Middle Space reserved for the external devices (memory or peripherals) controlled by the EBI
- Internal Peripherals in the four highest megabytes

In any of these address spaces, the ARM7TDMI operates in Little-Endian mode only.

Internal Memories

The AT91M42800 Microcontroller integrates internal SRAM. All internal memories are 32 bits wide and single-clock cycle accessible.

The AT91M42800 Microcontroller integrates a primary 8-Kbyte SRAM bank that is mapped at address 0x0 (after the remap command), and ARM7TDMI exception vectors between 0x0 and 0x20 that can be modified by the software. The rest of the bank can be used for stack allocation (to speed up context saving and restoring), or as data and program storage for critical algorithms.

Boot Mode Select

The ARM reset vector is at address 0x0. After the NRST line is released, the ARM7TDMI executes the instruction stored at this address. This means that this address must be mapped in nonvolatile memory after the reset.

The input level on the BMS pin during the last 10 clock cycles before the rising edge of the NRST selects the type of boot memory. The Boot mode depends on BMS (see Table 4).

The pin BMS is multiplexed with the I/O line PA27 that can be programmed after reset like any standard PIO line.

Table 4. Boot Mode Select

BMS	Boot Memory
1	External 8-bit memory NCS0
0	External 16-bit memory on NCS0

Remap Command

The ARM vectors (Reset, Abort, Data Abort, Prefetch Abort, Undefined Instruction, Interrupt, Fast Interrupt) are mapped from address 0x0 to address 0x20. In order to allow these vectors to be redefined dynamically by the software, the AT91M42800 Microcontroller uses a remap command that enables switching between the boot memory and the internal RAM bank addresses. The remap command is accessible through the EBI User Interface, by writing one in RCB of EBI_RCR (Remap Control Register). Performing a remap command is mandatory if access to the other external devices (connected to chip selects 1 to 7) is required. The remap operation can only be changed back by an internal reset or an NRST assertion.

Abort Control

The abort signal providing a Data Abort or a Prefetch Abort exception to the ARM7TDMI is asserted in the following cases:

- When accessing an undefined address in the EBI address space, or writing to a write-protected bank
- When the ARM7TDMI performs a misaligned access

No abort is generated when reading the internal memory or by accessing the internal peripherals, whether the address is defined or not.

When a write-protected area is accessed, the memory controller detects it, generates an abort and cancels the access.

When the processor performs a forbidden write access in a mode-protected peripheral register, the write is cancelled but no abort is generated.

The processor can perform word or half-word data access with a misaligned address when a register relative load/store instruction is executed and the register contains a misaligned address. In this case, whether the access is in write or in read, an abort is generated but the access is not cancelled.

The Abort Status Register traces the source that caused the last abort. The address and the type of abort are stored in registers of the External Bus Interface.

External Bus Interface

The External Bus Interface handles the accesses between addresses 0x0040 0000 and 0xFFC0 0000. It generates the signals that control access to the external devices, and can be configured from eight 1-Mbyte banks up to four 16-Mbyte banks. In all cases it supports byte, half-word and word aligned accesses.

For each of these banks, the user can program:

- Number of wait states
- Number of data float times (wait time after the access is finished to prevent any bus contention in case the device is too long in releasing the bus)
- Data bus width (8-bit or 16-bit)
- With a 16-bit wide data bus, the user can program the EBI to control one 16-bit device (Byte Access Select mode) or two 8-bit devices in parallel that emulate a 16-bit memory (Byte Write Access mode).

The External Bus Interface features also the Early Read Protocol, configurable for all the devices, that significantly reduces access time requirements on an external device.

Peripherals

The AT91M42800 peripherals are connected to the 32-bit wide Advanced Peripheral Bus. Peripheral registers are only word accessible. Byte and half-word accesses are not supported. If a byte or a half-word access is attempted, the memory controller automatically masks the lowest address bits and generates a word access.

Each peripheral has a 16-Kbyte address space allocated (the AIC only has a 4-Kbyte address space).

Peripheral Registers

The following registers are common to all peripherals:

- Control Register – Write-only register that triggers a command when a one is written to the corresponding position at the appropriate address. Writing a zero has no effect.
- Mode Register – read/write register that defines the configuration of the peripheral. Usually has a value of 0x0 after a reset.
- Data Registers – read and/or write register that enables the exchange of data between the processor and the peripheral.

- Status Register – Read-only register that returns the status of the peripheral.
- Enable/Disable/Status Registers – shadow command registers. Writing a one in the Enable Register sets the corresponding bit in the Status Register. Writing a one in the Disable Register resets the corresponding bit and the result can be read in the Status Register. Writing a bit to zero has no effect. This register access method maximizes the efficiency of bit manipulation, and enables modification of a register with a single non-interruptible instruction, replacing the costly read-modify-write operation.

Unused bits in the peripheral registers are shown as “_” and must be written at 0 for upward compatibility. These bits read 0.

Peripheral Interrupt Control

The Interrupt Control of each peripheral is controlled from the status register using the interrupt mask. The status register bits are ANDed to their corresponding interrupt mask bits and the result is then ORed to generate the Interrupt Source signal to the Advanced Interrupt Controller.

The interrupt mask is read in the Interrupt Mask Register and is modified with the Interrupt Enable Register and the Interrupt Disable Register. The enable/disable/status (or mask) makes it possible to enable or disable peripheral interrupt sources with a non-interruptible single instruction. This eliminates the need for interrupt masking at the AIC or Core level in real-time and multi-tasking systems.

Peripheral Data Controller

The AT91M42800 has an 8-channel PDC dedicated to the two on-chip USARTs and to the two on-chip SPIs. One PDC channel is connected to the receiving channel and one to the transmitting channel of each peripheral.

The user interface of a PDC channel is integrated in the memory space of each USART channel and in the memory space of each SPI. It contains a 32-bit address pointer register and a 16-bit count register. When the programmed data is transferred, an end-of-transfer interrupt is generated by the corresponding peripheral. See the USART section and the SPI section for more details on PDC operation and programming.

System Peripherals

PMC: Power Management Controller

The AT91M42800 Power Management Controller optimizes the power consumption of the device. The PMC controls the clocking elements such as the oscillator and the PLLs, and the System and the Peripheral Clocks. It also controls the MCKO pin and permits to the user to select four different signals to be driven on this pin.

The AT91M42800 has the following clock elements:

- The oscillator providing a clock that depends on the crystal fundamental frequency connected between the XIN and XOUT pins
- PLL A providing a low to middle frequency clock range
- PLL B providing a middle to high frequency range
- The Clock prescaler
- The ARM Processor Clock Controller
- The Peripheral Clock Controller
- The Master Clock Output Controller

The on-chip low-power oscillator together with the PLL-based frequency multiplier and the prescaler results in a programmable clock between 500 Hz and 66 MHz. It is the responsibility of the user to make sure that the PMC programming does not result in a clock over the acceptable limits.

ST: System Timer

The System Timer module integrates three different free-running timers:

- A Period Interval Timer setting the base time for an Operating System
- A Watchdog Timer that is built around a 16-bit counter, and is used to prevent system lock-up if the software becomes trapped in a deadlock. It can generate an internal reset or interrupt, or assert an active level on the dedicated pin NWDOVF.
- A Real-Time Timer counting elapsed seconds

These timers count forwards or backwards using a Slow Clock provided by the MCU. Typically, this clock has a frequency of 32768 kHz.

AIC: Advanced Interrupt Controller

The AT91M42800 has an 8-level priority, individually maskable, vectored interrupt controller. This feature substantially reduces the software and real-time overhead in handling internal and external interrupts.

The interrupt controller is connected to the NFIQ (fast interrupt request) and the NIRQ (standard interrupt request) inputs of the ARM7TDMI processor. The processor's NFIQ line can only be asserted by the external fast interrupt request input: FIQ. The NIRQ line can be asserted by the interrupts generated by the on-chip peripherals and the external interrupt request lines: IRQ0 to IRQ3.

The 8-level priority encoder allows the customer to define the priority between the different NIRQ interrupt sources.

Internal sources are programmed to be level sensitive or edge triggered. External sources can be programmed to be positive or negative edge triggered or high or low level sensitive.

PIO: Parallel I/O Controller

The AT91M42800 has 54 programmable I/O lines. I/O lines are multiplexed with an external signal of a peripheral to optimize the use of available package pins. These lines are controlled by two separate and identical PIO Controllers called PIOA and PIOB. Each PIO controller also provides an internal interrupt signal to the Advanced Interrupt Controller and insertion of a simple input glitch filter on any of the PIO pins.

SF: Special Function

The AT91M42800 provides registers that implement the following special functions.

- Chip Identification
- RESET Status

User Peripherals

USART: Universal Synchronous/Asynchronous Receiver Transmitter

The AT91M42800 provides two identical, full-duplex, universal synchronous/asynchronous receiver/transmitters that interface to the APB and are connected to the Peripheral Data Controller.

The main features are:

- Programmable Baud Rate Generator with External or Internal Clock, as well as Slow Clock
- Parity, Framing and Overrun Error Detection
- Line Break Generation and Detection
- Automatic Echo, Local Loopback and Remote Loopback channel modes
- Multi-drop mode: Address Detection and Generation
- Interrupt Generation
- Two Dedicated Peripheral Data Controller channels
- 5-, 6-, 7-, 8- and 9-bit character length

TC: Timer/Counter

The AT91M42800 features two Timer/Counter blocks, each containing three identical 16-bit Timer/Counter channels. Each channel can be independently programmed to per-

form a wide range of functions including frequency measurement, event counting, interval measurement, pulse generation, delay timing and pulse-width modulation. Each Timer/Counter channel has 3 external clock inputs, 5 internal clock inputs, and 2 multi-purpose input/output signals that can be configured by the user. Each channel drives an internal interrupt signal that can be programmed to generate processor interrupts via the AIC (Advanced Interrupt Controller).

The Timer/Counter block has two global registers that act upon all three TC channels. The Block Control Register allows the three channels to be started simultaneously with the same instruction. The Block Mode Register defines the external clock inputs for each Timer/Counter channel, allowing them to be chained.

Each Timer/Counter block operates independently and has a complete set of block and channel registers.

SPI: Serial Peripheral Interface

The AT91M42800 includes two SPIs that provide communication with external devices in master or slave mode. They are independent, and are referred to by the letters A and B. Each SPI has four external chip selects that can be connected to up to 15 devices. The data length is programmable from 8- to 16-bit.



Ordering Information

Max Speed (MHz)	Core Operating Power Supply Range	Ordering Code	RAM (Bytes)	Package	Operating Temperature Range
33	2.7V to 3.6V	AT91M42800-33CI	8K	BGA 144	-40°C to 85°C
33	2.7V to 3.6V	AT91M42800-33AI		TQFP 144	



Package Outline 144-lead TQFP

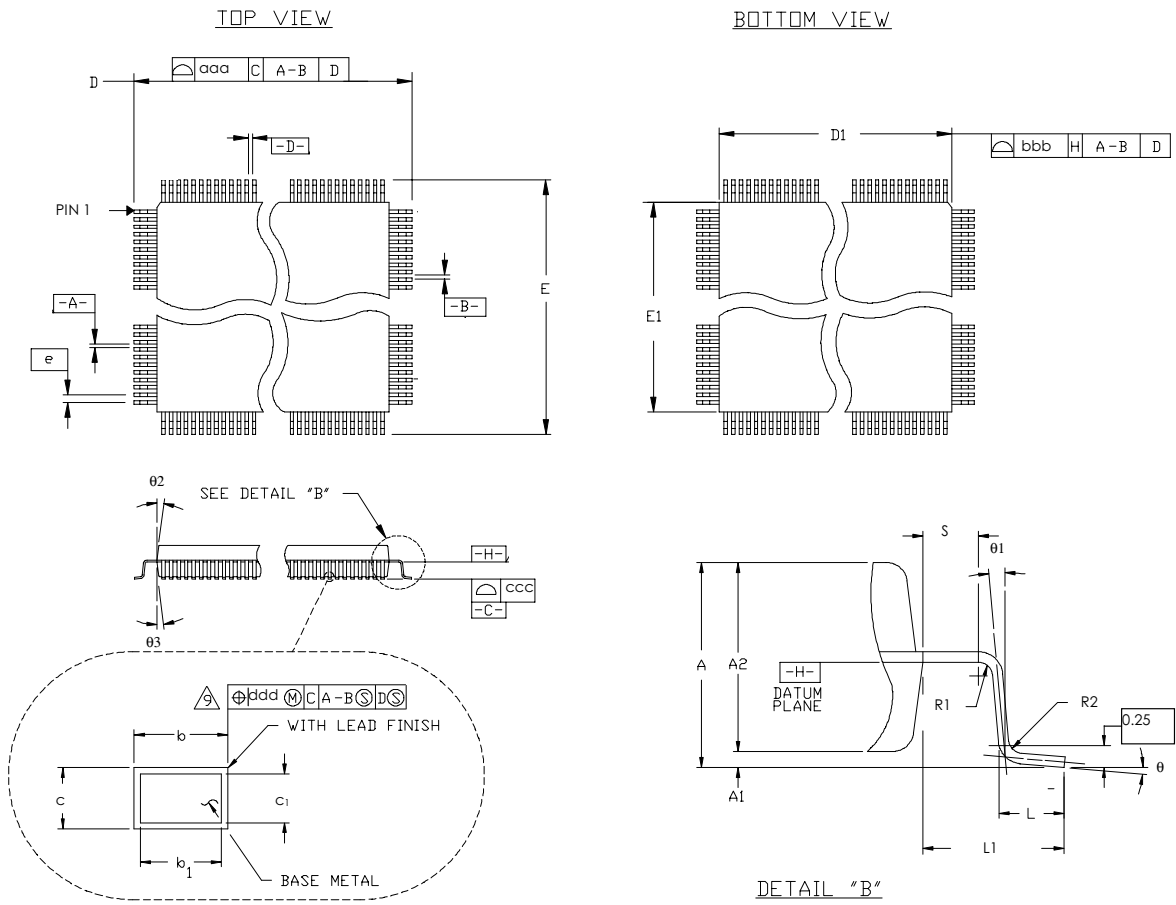
Table 5. Common Dimensions (mm)

Symbol	Min	Nom	Max
c	0.09		0.2
c1	0.09		0.16
L	0.45	0.6	0.75
L1	1.00 REF		
R2	0.08		0.2
R1	0.08		
S	0.2		
q	0°	3.5°	7°
q1	0°		
q2	11°	12°	13°
q3	11°	12°	13°
A			1.6
A1	0.05		0.15
A2	1.35	1.4	1.45
Tolerances and form of position			
aaa		0.2	
bbb		0.2	

Table 6. Lead Count Dimensions

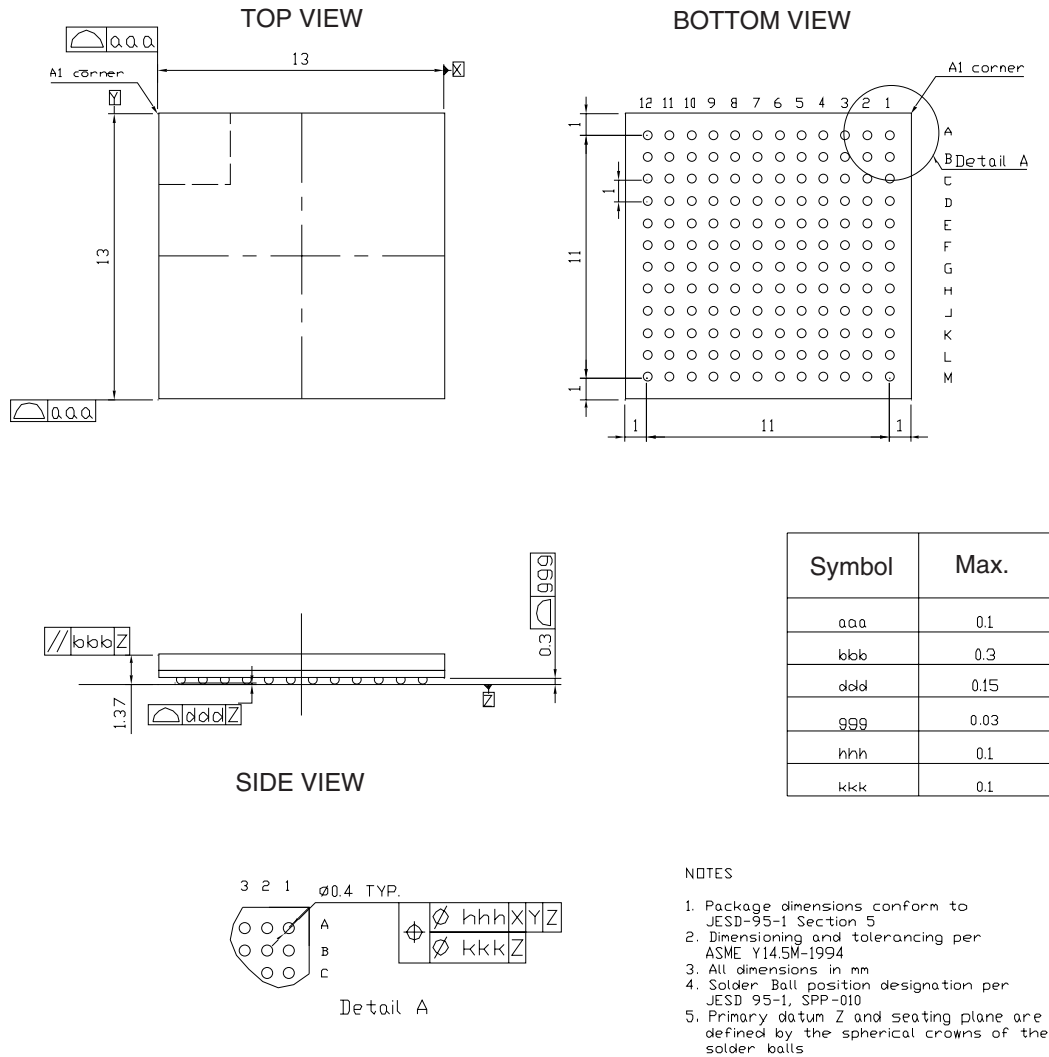
Pin Count	D/E BSC	D1/E1 BSC	b			b1			e BSC	ccc	ddd
			Min	Nom	Max	Min	Nom	Max			
144	22.0	2.0	0.17	0.22	0.27	0.17	0.2	0.23	0.50	0.10	0.08

Figure 4. 144-lead TQFP Package Drawing



Package Outline 144-ball BGA

Figure 5. 144-ball BGA Package Drawing





Atmel Headquarters

Corporate Headquarters

2325 Orchard Parkway
San Jose, CA 95131
TEL (408) 441-0311
FAX (408) 487-2600

Europe

Atmel U.K., Ltd.
Coliseum Business Centre
Riverside Way
Camberley, Surrey GU15 3YL
England
TEL (44) 1276-686-677
FAX (44) 1276-686-697

Asia

Atmel Asia, Ltd.
Room 1219
Chinachem Golden Plaza
77 Mody Road Tsimhatsui
East Kowloon
Hong Kong
TEL (852) 2721-9778
FAX (852) 2722-1369

Japan

Atmel Japan K.K.
9F, Tonetsu Shinkawa Bldg.
1-24-8 Shinkawa
Chuo-ku, Tokyo 104-0033
Japan
TEL (81) 3-3523-3551
FAX (81) 3-3523-7581

Atmel Operations

Atmel Colorado Springs

1150 E. Cheyenne Mtn. Blvd.
Colorado Springs, CO 80906
TEL (719) 576-3300
FAX (719) 540-1759

Atmel Rousset

Zone Industrielle
13106 Rousset Cedex
France
TEL (33) 4-4253-6000
FAX (33) 4-4253-6001

Fax-on-Demand

North America:
1-(800) 292-8635
International:
1-(408) 441-0732

e-mail

literature@atmel.com

Web Site

<http://www.atmel.com>

BBS

1-(408) 436-4309



© Atmel Corporation 2000.

Atmel Corporation makes no warranty for the use of its products, other than those expressly contained in the Company's standard warranty which is detailed in Atmel's Terms and Conditions located on the Company's web site. The Company assumes no responsibility for any errors which may appear in this document, reserves the right to change devices or specifications detailed herein at any time without notice, and does not make any commitment to update the information contained herein. No licenses to patents or other intellectual property of Atmel are granted by the Company in connection with the sale of Atmel products, expressly or by implication. Atmel's products are not authorized for use as critical components in life support devices or systems.

Marks bearing ® and/or ™ are registered trademarks and trademarks of Atmel Corporation.
Terms and product names in this document may be trademarks of others.
ARM, Thumb and ARM Powered are registered trademarks of ARM Limited.
ARM7TDMI is a trademark of ARM Ltd.



Printed on recycled paper.

1328AS-06/00/5M