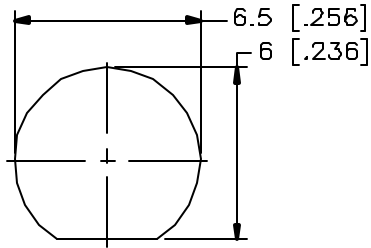
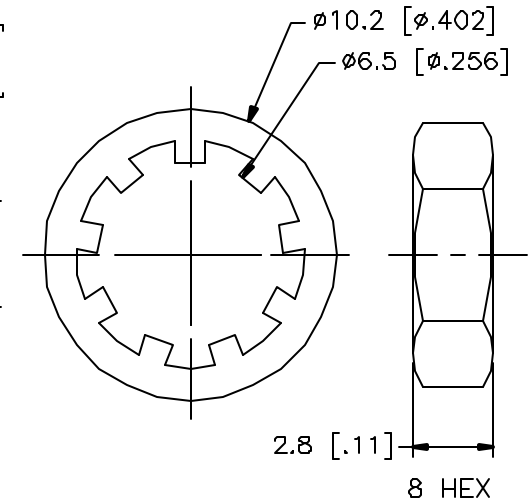
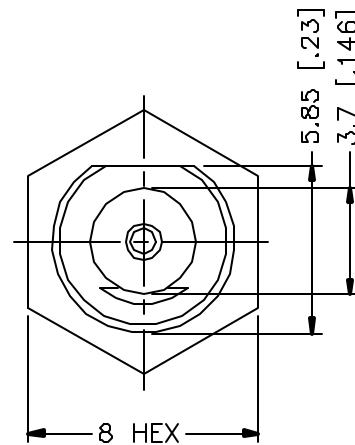
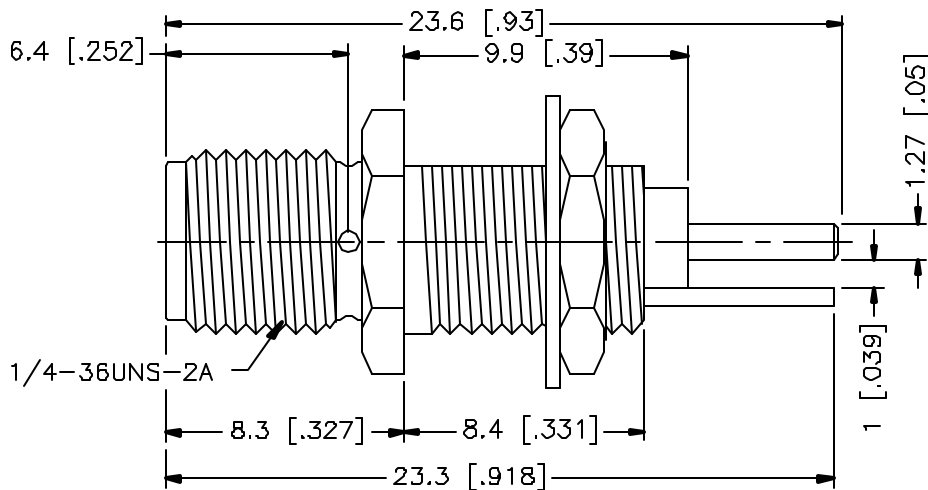



REV.	DATE	DESCRIPTION
A	06/25/01	ADD HEX NUT AND WASHER



RECOMMENDED MOUNTING HOLE



NOTE:
1. MAX. PANEL THICKNESS = 4.5mm

DESCRIPTION	MATERIAL	FINISH	UNLESS OTHERWISE SPECIFIED DIMENSIONS ARE IN MILLIMETERS	APPROVALS	DATE													
1 BODY	BRASS	GOLD	DIMENSIONS IN [] ARE IN INCHES FOR CUSTOMER REFERENCE ONLY	DRAWN	G.R.S.	06/25/01	TITLE SMA BULKHEAD RECEPTACLE JACK END LAUNCH SIZE A FSCM NO. 99001 DWG. NO. 132270.DWG REV. A											
2 CONTACT PIN	BER COPPER	GOLD		UNLESS OTHERWISE SPECIFIED TOLERANCES FOR MILLIMETERS ARE: 0.5-6 = ± 0.2 6-30 = ± 0.4 30-120 = ± 0.6 120-315 = ± 1 315-1000 = ± 1.6 1000-2000 = ± 2.4	CHECKED							SCALE NA PART NO 132270 SHEET 1 OF 1						
3 INSULATOR	TEFLON	NATURAL	ISSUED															
4 LOCK WASHER	BRASS	GOLD																
5 HEX NUT	BRASS	GOLD																
6																		
7																		
8			DO NOT SCALE DRAWING															