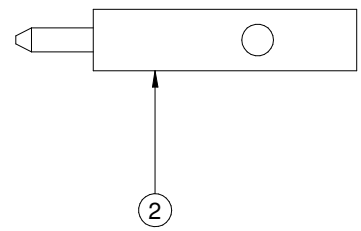
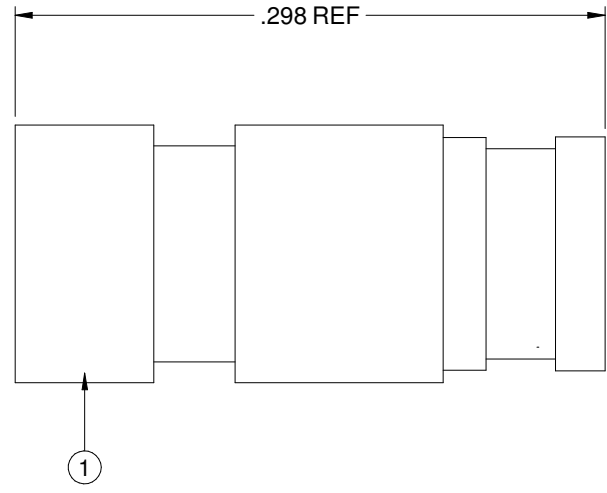
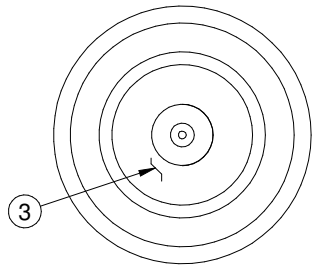


REV	ECO	DATE
1	ECO-16-0037	4/7/2016

PART NUMBER	ITEM ① BODY	ITEM ② CONTACT	ITEM ③ INSULATOR
125-0593-001	BERYLLIUM COPPER GOLD PL .00005 MIN OVER NICKEL PL.00005 MIN OVER COPPER PL.00005 MIN	BERYLLIUM COPPER GOLD PL .00005 MIN OVER NICKEL PL.00005 MIN OVER COPPER PL.00005 MIN	TEFLON



**SPECIFICATION:**

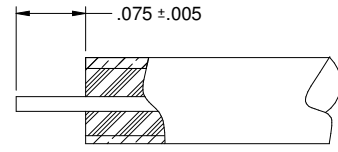
IMPEDANCE: 50 OHMS  
 FREQUENCY RANGE: 0-40GHz  
 VSWR: 1.15 MAX TO 26.5GHz, 1.30 MAX TO 40GHz  
 INSERTION LOSS: 0.12 √F dB MAX (F IN GHz)  
 DIELECTRIC WITHSTANDING VOLTAGE: 325 VRMS MIN AT SEA LEVEL  
 INSULATION RESISTANCE: 5000 MEGOHM MIN  
 CONTACT RESISTANCE:  
     CENTER CONTACT - INITIAL 6 MILLIOHM MAX, AFTER ENVIRONMENTAL NOT APPLICABLE  
     OUTER CONDUCTOR - INITIAL 2 MILLIOHM MAX, AFTER ENVIRONMENTAL NOT APPLICABLE  
 RF LEAKAGE: -80dB TYPICAL AT 3GHz

**MECHANICAL:**

ENGAGEMENT FORCE: 4.5LBS TYPICAL  
 DISENGAGEMENT FORCE: 6.5LBS TYPICAL  
 CONTACT RETENTION: 1.5 LBS MIN AXIAL FORCE  
 DURABILITY: 100 CYCLES MIN

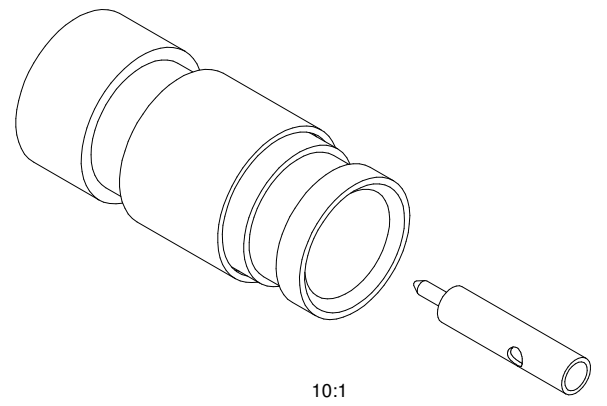
**ENVIRONMENTAL:**

OPERATING TEMPERATUR: -65 TO 165 °C  
 THERMAL SHOCK: MIL-STD-202, METHOD 107, CONDITION B  
 MECHANICAL SHOCK: MIL-STD-202, METHOD 213, CONDITION I  
 CORROSION: MIL-STD-202, METHOD 101  
 VIBRATION: MIL-STD-202, METHOD 204  
 MOISTURE RESISTANCE: MIL-STD-202, MEHTOD 106, EXCEPT STEP 7B



**CABLE STRIP DIMENSION**

10:1



10:1

	Material:	Model No.	Title: SMPM MALE FULL DETENT SR .086" STRAIGHT	
	SEE NOTE	RoHS2 <input checked="" type="checkbox"/> 2011/65/EU	Cage Code	Drawing No. 125-0593-001
<small>The PROPRIETARY Document is property of Cinch Connectivity Solutions. No reproduction, distribution, or disclosure of this document is permitted without the express written permission of Cinch Connectivity Solutions.</small> <small>INTERPRET DRAWINGS IN ACCORDANCE WITH ASME Y14.5-2009</small>	<small>UNLESS OTHERWISE SPECIFIED</small> Finish: .XX ±.01 .XXX ±.003 .XXXX ±.0010 ANGLES ±1°00'	<small>3RD ANGLE PROJECTION</small> 	Drawn by: R.SHEN Date: 4/7/2016	Rev. 1 Size B DO NOT SCALE DRAWING
SEE NOTE <small>Workmanship Std:</small>		Date: 4/7/2016	Size B DO NOT SCALE DRAWING	Sheet 1 of 1